

**PLEASE CHECK WWW.MOLEX.COM FOR LATEST PART INFORMATION**

**Part Number:** [0548611570](#)  
**Status:** **Active**  
**Description:** 2.00mm (.079") Pitch HIC/LCD Pin Connector, Vertical, SMT, 15 Circuits, Lead Free

**Documents:**

[3D Model](#) [Product Specification PS-54861-005 \(PDF\)](#)  
[Drawing \(PDF\)](#) [RoHS Certificate of Compliance \(PDF\)](#)

**General**

Product Family Other Sockets  
 Series [54861](#)  
 Component Type Socket  
 Product Name N/A

**Physical**

Circuits (Loaded) 15  
 Color - Resin Natural  
 Durability (mating cycles max) 10  
 Entry Angle Vertical  
 Keying to Mating Part N/A  
 Material - Metal Phosphor Bronze  
 Material - Plating Mating Tin  
 Material - Plating Termination Tin  
 PCB Locator Yes  
 PCB Retention Yes  
 Packaging Type Embossed Tape on Reel  
 Pitch - Mating Interface (in) 0.079 In  
 Pitch - Mating Interface (mm) 2.00 mm  
 Temperature Range - Operating -40°C to +105°C  
 Termination Interface: Style Surface Mount

**Electrical**

Current - Maximum per Contact 1A  
 Voltage - Maximum 125V AC (RMS)/DC

**Material Info**

**Reference - Drawing Numbers**

Product Specification PS-54861-005, RPS-54861-014  
 Sales Drawing SD-54861-006, SD-54861-013

**EU RoHS**

**ELV and RoHS  
Compliant**

**REACH SVHC**

Not Reviewed

**Halogen-Free**

**Status**

**Not Reviewed**

**China RoHS**



**Need more information on product  
environmental compliance?**

Email [productcompliance@molex.com](mailto:productcompliance@molex.com)  
 For a multiple part number RoHS Certificate of  
 Compliance, [click here](#)

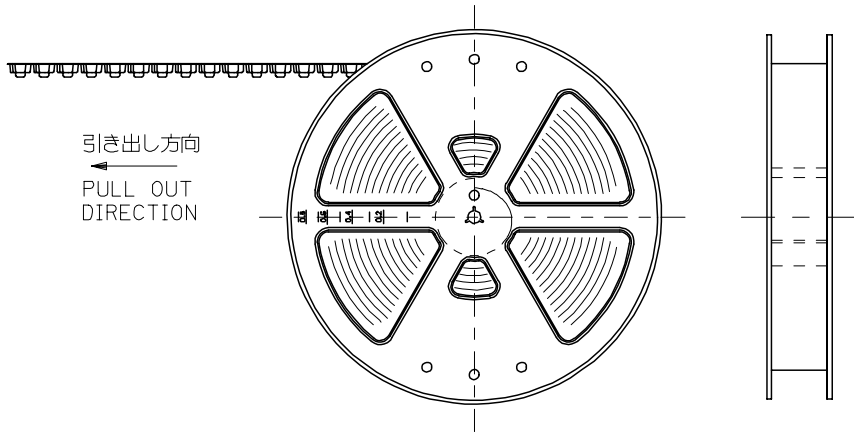
Please visit the [Contact Us](#) section for any  
 non-product compliance questions.

**Search Parts in this Series**

[54861Series](#)

**Mates With**

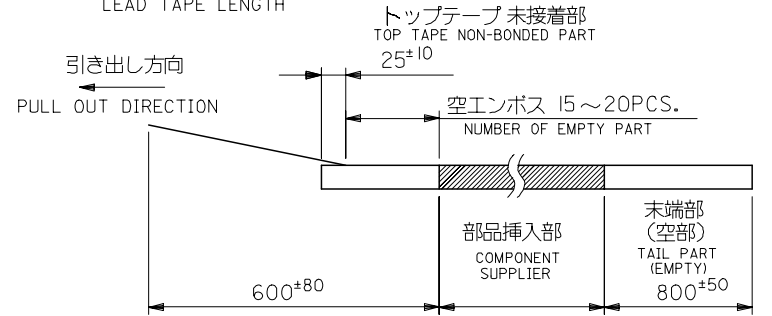
LCD Pin|HIC Pin



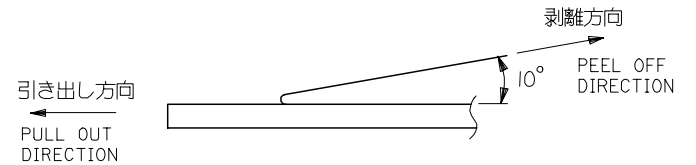
引き出し方向  
PULL OUT  
DIRECTION

注記  
NOTES

1. 梱包数量：1000個/リール  
NUMBER OF CONNECTORS : 1000PCS/REEL
2. リードテープ長さ  
LEAD TAPE LENGTH



3. トップテープの剥離強度：60 ± 35gf(剥離方向は下図参照)  
尚、本規格値は、出荷時に適用。(但し、輸送時に剥離が発生しないこと。)  
PEELING OFF FORCE OF TOP TAPE : 60 ± 35gf.  
(PEELING DIRECTION AS SHOWN IN FOLLOWING FIG.)  
THIS REQUIREMENT SHOULD BE APPLIED AT SHIPMENT.  
(PEELING OFF SHOULD NOT BE ALLOWED, DURING TRANSPORTATION.)



4. 材料 (MATERIAL)  
キャリアテープ：ポリスチレン(PS)  
CARRIER TAPE : POLYSTYRENE(PS)  
トップテープ：PET, PE, PEF  
TOP TAPE : PET, PE, PEF  
リール：ポリスチレン  
REEL : POLYSTYRENE

|   |  |  |                            |                    |  |                        |                           |  |
|---|--|--|----------------------------|--------------------|--|------------------------|---------------------------|--|
| REVISED<br>EC NO: J2007-2110<br>DRWNG:SHIBATA 2007/03/12<br>CHKD:TAITO 2007/03/12<br>APPR:KANESHIGE 2007/03/14<br>REV G | GENERAL TOLERANCES<br>(UNLESS SPECIFIED) |  | DIMENSION STYLE<br>MM ONLY |                    | SCALE<br>---   | DESIGN UNITS<br>METRIC | THIRD ANGLE<br>PROJECTION |  |
|   | 10 UNDER                                 | ±0.2   | DRAWN BY<br>H. TAMURA      | DATE<br>2000/10/04 | TITLE<br>2.0 HIC/LCD CONN.<br>EMBOSSSED TAPE PACKAGE |                        |                           |  |
|   | 10 <sup>0</sup> OVER 30 UNDER            | ±0.25  | CHECKED BY<br>M. SAKANO    | DATE<br>2000/10/04 | MOLEX INCORPORATED                                   |                        |                           |  |
|   | 30 <sup>0</sup> OVER                     | ±0.3   | APPROVED BY<br>T. KODAMA   | DATE<br>2000/10/04 | DOCUMENT NO.<br>SD-54861-006                         |                        |                           |  |
|   | ANGULAR                                  | ±3 °   | MATERIAL NO.<br>SEE CHART  |                    | SHEET NO.<br>1 OF 3                                  |                        |                           |  |
| DRAFT WHERE APPLICABLE<br>MUST REMAIN<br>WITHIN DIMENSIONS  |  | THIS DRAWING CONTAINS INFORMATION THAT IS PROPRIETARY TO MOLEX<br>INCORPORATED AND SHOULD NOT BE USED WITHOUT WRITTEN PERMISSION |                            |                    |  |                        |                           |  |

10 9 8 7 6 5 4 3 2 1

F

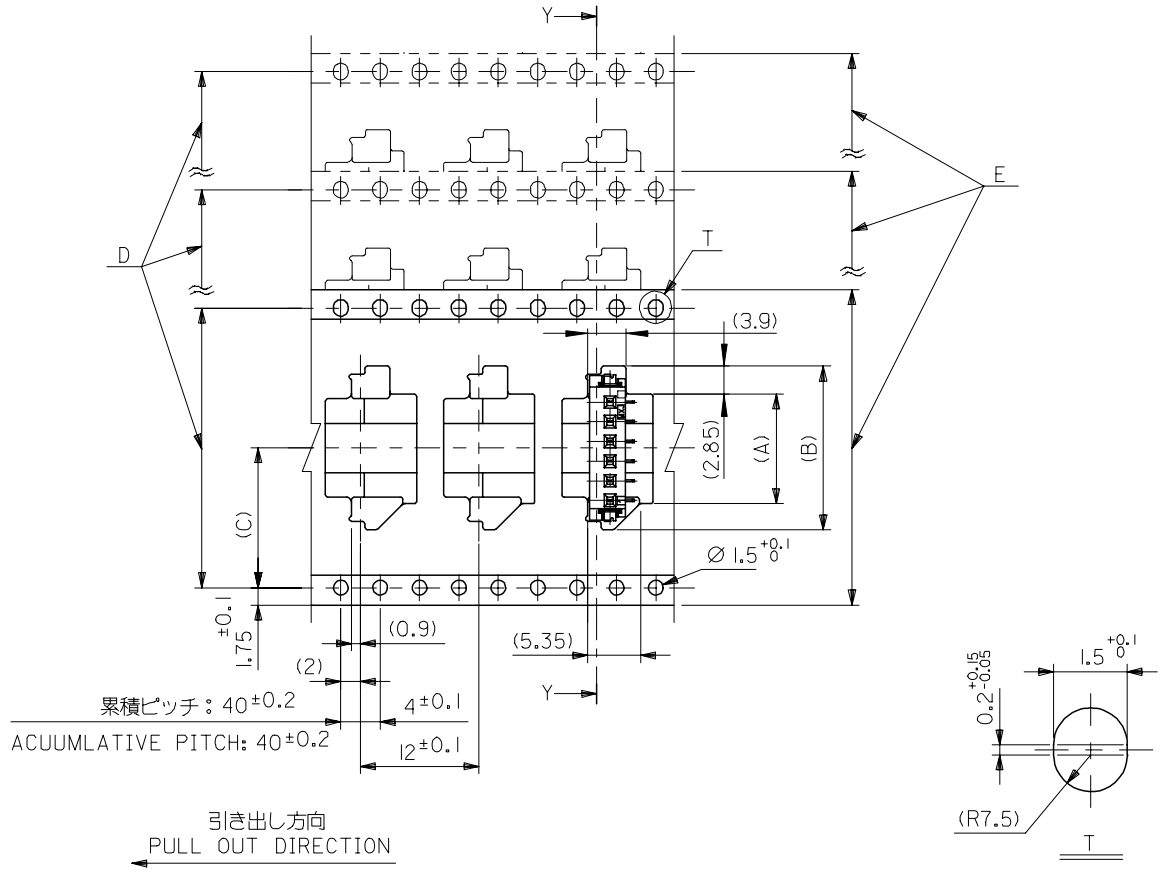
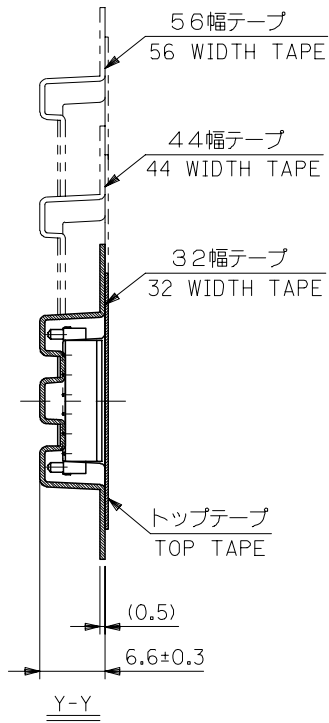
E

D

C

B

A



|  |                                       |            |                            |  |  |                        |                        |  |
|--|---------------------------------------|------------|----------------------------|--|--|------------------------|------------------------|--|
| REVISED<br>EC NO: J2007-2110<br>DRWNG: SHIBATA 2007/03/12<br>CHKD: TAITO 2007/03/12<br>APPR: KANESHIGE 2007/03/14<br>G REV | GENERAL TOLERANCES (UNLESS SPECIFIED) |            | DIMENSION STYLE<br>MM ONLY |  | SCALE<br>2:1   | DESIGN UNITS<br>METRIC | THIRD ANGLE PROJECTION |  |
|  | 10 UNDER                              | ±0.2       | DRAWN BY<br>H. TAMURA      | DATE<br>2000/10/04   | TITLE<br>2.0 HIC/LCD CONN.<br>EMBOSSSED TAPE PACKAGE |                        |                        |  |
|  | 10 OVER 30 UNDER                      | ±0.25      | CHECKED BY<br>M. SAKANO    | DATE<br>2000/10/04   | MOLEX INCORPORATED                                   |                        |                        |  |
|  | 30 OVER                               | ±0.3       | APPROVED BY<br>T. KODAMA   | DATE<br>2000/10/04   | DOCUMENT NO.<br>SD-54861-006                         |                        | SHEET NO.<br>2 OF 3    |  |
|  | ANGULAR                               | ±3 °       | MATERIAL NO.               |  | SEE CHART  |                        |                        |  |
| DRAFT WHERE APPLICABLE<br>MUST REMAIN<br>WITHIN DIMENSIONS   |                                       | SIZE<br>A3 |                            | THIS DRAWING CONTAINS INFORMATION THAT IS PROPRIETARY TO MOLEX<br>INCORPORATED AND SHOULD NOT BE USED WITHOUT WRITTEN PERMISSION |  |                        |                        |  |

10 9 8 7 6 5 4 3 2 1

F

E

D

C

B

A

|                 |                                     |    |      |      |      |      |                      |                |                   |
|-----------------|-------------------------------------|----|------|------|------|------|----------------------|----------------|-------------------|
| 無鉛<br>LEAD FREE | 56.4                                | 56 | 52.4 | 26.2 | 44.6 | 39.3 | 54861-2070           | 20             | ○                 |
|                 |                                     |    |      |      | 42.6 | 37.3 | 54861-1970           | 19             | ○                 |
|                 |                                     |    |      |      | 40.6 | 35.3 | 54861-1870           | 18             | —                 |
|                 |                                     |    |      |      | 38.6 | 33.3 | 54861-1770           | 17             | ○                 |
|                 |                                     |    |      |      | 36.6 | 31.3 | 54861-1670           | 16             | ○                 |
|                 |                                     |    |      |      | 34.6 | 29.3 | 54861-1570           | 15             | ○                 |
|                 | 44.4                                | 44 | 40.4 | 20.2 | 32.6 | 27.3 | 54861-1470           | 14             | ○                 |
|                 |                                     |    |      |      | 30.6 | 25.3 | 54861-1370           | 13             | —                 |
|                 |                                     |    |      |      | 28.6 | 23.3 | 54861-1270           | 12             | ○                 |
|                 |                                     |    |      |      | 26.6 | 21.3 | 54861-1170           | 11             | —                 |
|                 |                                     |    |      |      | 24.6 | 19.3 | 54861-1070           | 10             | ○                 |
|                 |                                     |    |      |      | 22.6 | 17.3 | 54861-0970           | 09             | —                 |
|                 | 32.4                                | 32 | 28.4 | 14.2 | 20.6 | 15.3 | 54861-0870           | 08             | ○                 |
|                 |                                     |    |      |      | 18.6 | 13.3 | 54861-0770           | 07             | —                 |
|                 |                                     |    |      |      | 16.6 | 11.3 | 54861-0670           | 06             | ○                 |
| 有鉛<br>LEADED    | 56.4                                | 56 | 52.4 | 26.2 | 44.6 | 39.3 | 54861-2090           | 20             | ○                 |
|                 |                                     |    |      |      | 42.6 | 37.3 | 54861-1990           | 19             | —                 |
|                 |                                     |    |      |      | 40.6 | 35.3 | 54861-1890           | 18             | —                 |
|                 |                                     |    |      |      | 38.6 | 33.3 | 54861-1790           | 17             | —                 |
|                 |                                     |    |      |      | 36.6 | 31.3 | 54861-1690           | 16             | ○                 |
|                 |                                     |    |      |      | 34.6 | 29.3 | 54861-1590           | 15             | —                 |
|                 | 44.4                                | 44 | 40.4 | 20.2 | 32.6 | 27.3 | 54861-1490           | 14             | —                 |
|                 |                                     |    |      |      | 30.6 | 25.3 | 54861-1390           | 13             | —                 |
|                 |                                     |    |      |      | 28.6 | 23.3 | 54861-1290           | 12             | ○                 |
|                 |                                     |    |      |      | 26.6 | 21.3 | 54861-1190           | 11             | —                 |
|                 |                                     |    |      |      | 24.6 | 19.3 | 54861-1090           | 10             | ○                 |
|                 |                                     |    |      |      | 22.6 | 17.3 | 54861-0990           | 09             | —                 |
|                 | 32.4                                | 32 | 28.4 | 14.2 | 20.6 | 15.3 | 54861-0890           | 08             | ○                 |
|                 |                                     |    |      |      | 18.6 | 13.3 | 54861-0790           | 07             | —                 |
|                 |                                     |    |      |      | 16.6 | 11.3 | 54861-0690           | 06             | ○                 |
| F               | E<br>キャリアテープ幅<br>CARRIER TAPE WIDTH |    | D    | (C)  | (B)  | (A)  | 製品番号<br>MATERIAL NO. | 極数<br>CIRCUITS | 量産対応<br>AVAILABLE |

|  |  |            |                            |  |                    |  |                           |  |
|--|--|------------|----------------------------|--|--------------------|--|---------------------------|--|
| REVISED<br>EC NO: J2007-2110<br>DRW: SHIBATA 2007/03/12<br>CHKD: TAITO 2007/03/12<br>APPR: KANESHIGE 2007/03/14<br>G REV | GENERAL TOLERANCES<br>(UNLESS SPECIFIED) |            | DIMENSION STYLE<br>MM ONLY |  | SCALE<br>---       | DESIGN UNITS<br>METRIC                               | THIRD ANGLE<br>PROJECTION |  |
|  | 10 UNDER                                 | ± 0.2      | DRAWN BY<br>H. TAMURA      |  | DATE<br>2000/10/04 | TITLE<br>2.0 HIC/LCD CONN.<br>EMBOSSSED TAPE PACKAGE |                           |  |
|  | 10 OVER 30 UNDER                         | ± 0.25     | CHECKED BY<br>M. SAKANO    |  | DATE<br>2000/10/04 | MOLEX INCORPORATED                                   |                           |  |
|  | 30 OVER                                  | ± 0.3      | APPROVED BY<br>T. KODAMA   |  | DATE<br>2000/10/04 | DOCUMENT NO.<br>SD-54861-006                         |                           |  |
|  | ANGULAR                                  | ± 3 °      | MATERIAL NO.               |  | SEE CHART          |  | SHEET NO.<br>3 OF 3       |  |
| DRAFT WHERE APPLICABLE<br>MUST REMAIN<br>WITHIN DIMENSIONS   |  | SIZE<br>A3 |                            | THIS DRAWING CONTAINS INFORMATION THAT IS PROPRIETARY TO MOLEX<br>INCORPORATED AND SHOULD NOT BE USED WITHOUT WRITTEN PERMISSION |                    |  |                           |  |

