

**PLEASE CHECK WWW.MOLEX.COM FOR LATEST PART INFORMATION**

**Part Number:** [0533534071](#)  
**Status:** **Active**  
**Description:** 0.80mm (.031") Pitch Header, Surface Mount, Dual Row, Vertical Stacking, 7.00 and 8.00mm (.276 and .315") Stacking Heights, Lead-free, 40 Circuits

**Documents:**

[3D Model](#) [Product Specification PS-52465-010 \(PDF\)](#)  
[Drawing \(PDF\)](#) [RoHS Certificate of Compliance \(PDF\)](#)

**General**

Product Family PCB Headers  
 Series [53353](#)  
 Application Board-to-Board  
 Product Name N/A

**Physical**

Breakaway No  
 Circuits (Loaded) 40  
 Circuits (maximum) 40  
 Durability (mating cycles max) 30  
 Glow-Wire Compliant No  
 Lock to Mating Part None  
 Mated Height (in) 0.276 In  
 Mated Height (mm) 7.00 mm  
 Material - Metal Phosphor Bronze  
 Material - Plating Mating Tin  
 Material - Plating Termination Tin  
 Number of Rows 2  
 Orientation Vertical  
 PCB Locator No  
 PCB Retention None  
 Packaging Type Embossed Tape on Reel  
 Pitch - Mating Interface (in) 0.031 In  
 Pitch - Mating Interface (mm) 0.80 mm  
 Polarized to PCB No  
 Stackable No  
 Temperature Range - Operating -20°C to +105°C  
 Termination Interface: Style Surface Mount

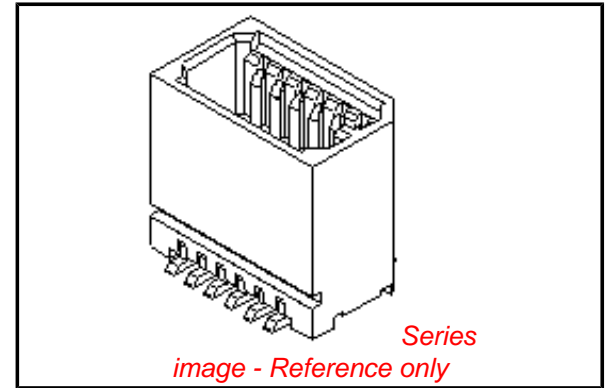
**Electrical**

Current - Maximum per Contact 0.5A  
 Voltage - Maximum 50V

**Material Info**

**Reference - Drawing Numbers**

Product Specification PS-52465-010, RPS-52465-042, RPS-52465-044  
 Sales Drawing SD-53353-003, SD-53353-004



**EU RoHS**

**ELV and RoHS  
Compliant**  
**REACH SVHC**  
 Not Reviewed  
**Halogen-Free  
Status**  
**Not Reviewed**

**China RoHS**



**Need more information on product  
environmental compliance?**

Email [productcompliance@molex.com](mailto:productcompliance@molex.com)  
 For a multiple part number RoHS Certificate of Compliance, [click here](#)

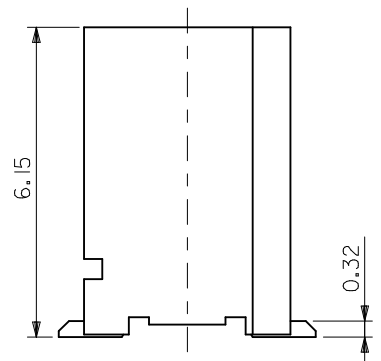
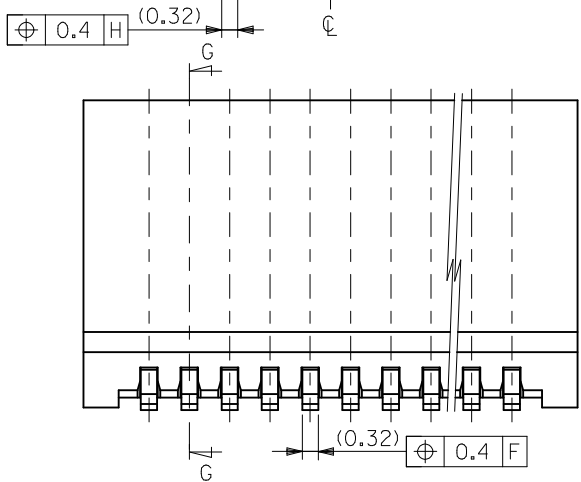
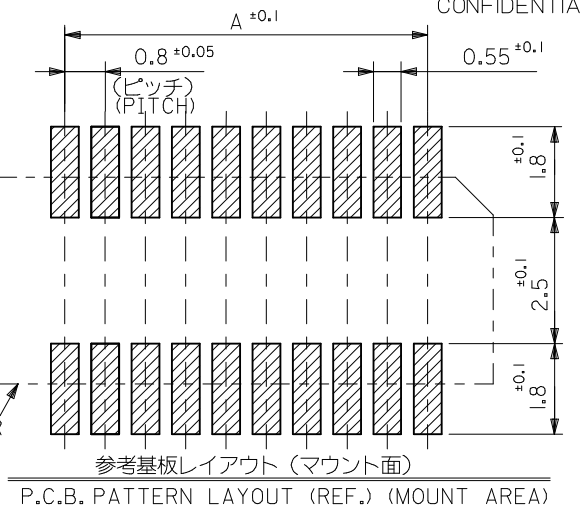
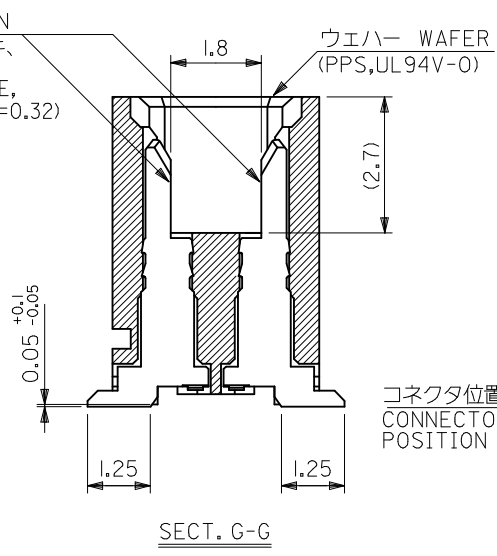
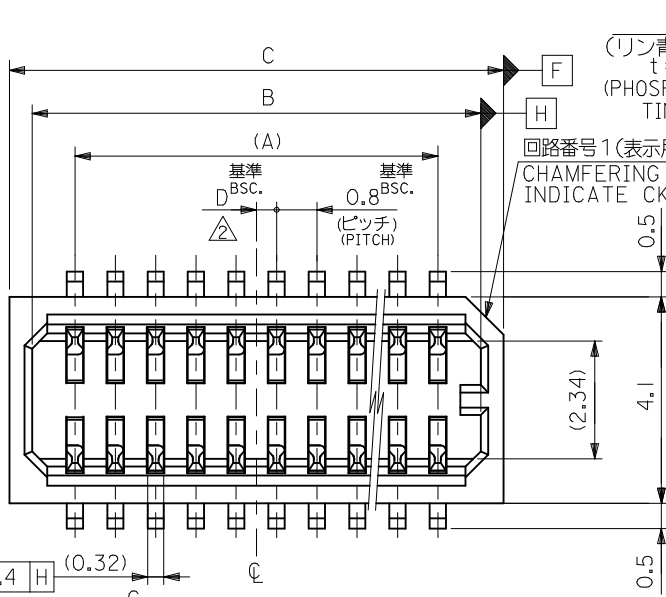
Please visit the [Contact Us](#) section for any non-product compliance questions.

**Search Parts in this Series**

[53353Series](#)

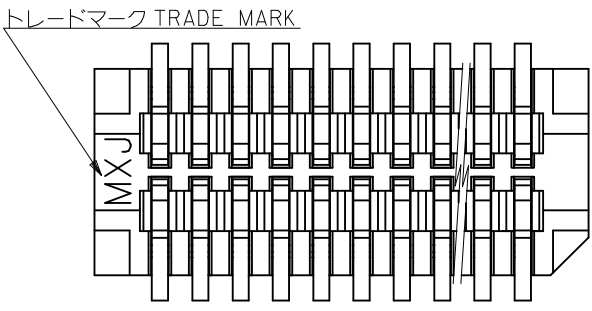
**Mates With**

[52465 PCB Receptacle](#)



- 注記 NOTES**
1. 嵌合相手: 52465, 52588 シリーズ  
MATES WITH : 52465, 52588 SERIES
  2. ウェハーの  $\phi$  から隣接するピンの  $\phi$  迄の位置を示す。  
SHOW POSITION FROM  $\phi$  OF WAFER TO  $\phi$  OF ADJACENT PINS.
  3. ELV 及び RoHS 適合品。  
ELV AND ROHS COMPLIANT.
  4. テール平坦度: 0.1MAX.  
COPLANARITY : 0.1MAXIMUM

0.4	17.8	16.9	15.2	---	53353-4071	40
0.4	16.2	15.3	13.6	---	53353-3671	36
0.8	13.8	12.9	11.2	53353-3029	53353-3071	30
0.4	13.0	12.1	10.4	---	53353-2871	28
0.8	10.6	9.7	8.0	---	53353-2271	22
0.4	9.8	8.9	7.2	---	53353-2071	20
0.8	9.0	8.1	6.4	---	53353-1871	18
0.4	8.2	7.3	5.6	---	53353-1671	16
0.8	7.4	6.5	4.8	---	53353-1471	14
0.4	6.6	5.7	4.0	---	53353-1271	12
0.8	5.8	4.9	3.2	---	53353-1071	10
D	C	B	A	TRAY PACKAGE	EMBOSSED PACKAGE	極数
				オーダー番号 ORDER NO.		CIRCUIT
				CONNECTOR SERIES No. : 53353-**-29		

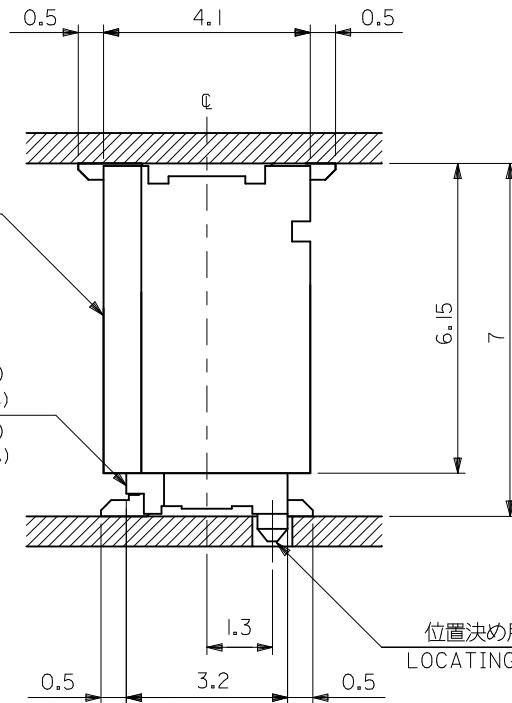


<b>REVISED</b> EC NO: J2010-0376 DRWN:TKAIHO 2009/09/25 CHKD:SMARUYAMA 2009/09/25 APPR:MSASAO 2009/09/25	GENERAL TOLERANCES (UNLESS SPECIFIED)		DIMENSION STYLE <b>MM ONLY</b>		SCALE 		DESIGN UNITS <b>METRIC</b>		THIRD ANGLE PROJECTION 	
	10 UNDER	± ---	DRAWN BY	DATE	TITLE					
	10 OVER 30 UNDER	± ---	Y. WADA	2004/3/4	0.8 B/B CONN. WAFER ASSY ST. SMT(WITHOUT BOSS)					
	30 OVER	± ---	CHECKED BY	DATE	MOLEX MOLEX INCORPORATED					
ANGULAR	± --- °	M. SASAO	2004/3/4	DOCUMENT NO. SD-53353-003						
DRAFT WHERE APPLICABLE MUST REMAIN WITHIN DIMENSIONS		APPROVED BY	DATE	SEE CHART		SHEET NO.		1 OF 2		
		M. SASAO	2004/3/4	THIS DRAWING CONTAINS INFORMATION THAT IS PROPRIETARY TO MOLEX INCORPORATED AND SHOULD NOT BE USED WITHOUT WRITTEN PERMISSION						
		MATERIAL NO.								

53353-\*\*\*29 (位置決め用ボス無)  
(WITHOUT LOCATING BOSS)

嵌合相手 MATES WITH  
52465-\*\*\*19 (位置決め用ボス付)  
(WITH LOCATING BOSS)

52465-\*\*\*29 (位置決め用ボス無)  
(WITHOUT LOCATING BOSS)

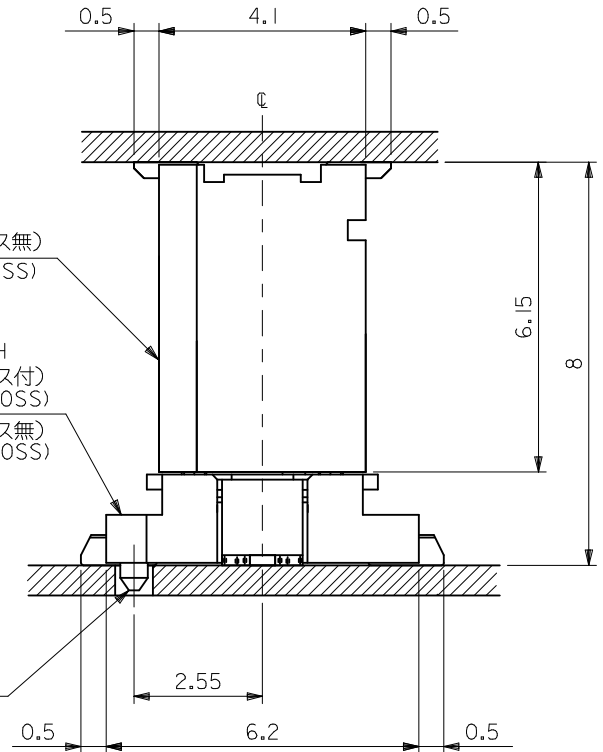


53353-\*\*\*29 (位置決め用ボス無)  
(WITHOUT LOCATING BOSS)

嵌合相手 MATES WITH  
52588-\*\*\*\* (位置決め用ボス付)  
(WITH LOCATING BOSS)

52588-\*\*\*\* (位置決め用ボス無)  
(WITHOUT LOCATING BOSS)

位置決め用ボス  
LOCATING BOSS



嵌合状態図 (参考)  
MATED DRAWING (REF.)

REVISED	EC NO. : J2010-0376	2009/09/25
	DRWN:TKAIHO	2009/09/25
	CHKD:SMARUYAMA	2009/09/25
	APPR:MSASAO	2009/09/25
	REV	A

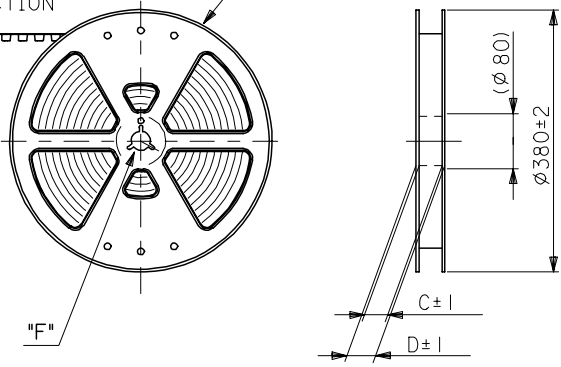
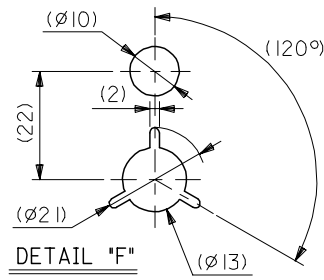
GENERAL TOLERANCES (UNLESS SPECIFIED)	
10 UNDER	± ---
10 OVER 30 UNDER	± ---
30 OVER	± ---
ANGULAR	± --- °
DRAFT WHERE APPLICABLE MUST REMAIN WITHIN DIMENSIONS	

DIMENSION STYLE MM ONLY	
DRAWN BY Y. WADA	DATE 2004/3/4
CHECKED BY M. SASAO	DATE 2004/3/4
APPROVED BY M. SASAO	DATE 2004/3/4
MATERIAL NO. SEE CHART	
SIZE A3	THIS DRAWING CONTAINS INFORMATION THAT IS PROPRIETARY TO MOLEX INCORPORATED AND SHOULD NOT BE USED WITHOUT WRITTEN PERMISSION

CONNECTOR SERIES No. : 53353-***29		
SCALE ---	DESIGN UNITS METRIC	THIRD ANGLE PROJECTION
TITLE 0.8 B/B CONN. WAFER ASSY ST. SMT(WITHOUT BOSS)		
MOLEX INCORPORATED		
DOCUMENT NO. SD-53353-003	SHEET NO. 2 OF 2	

引き出し方向  
PULL OUT DIRECTION

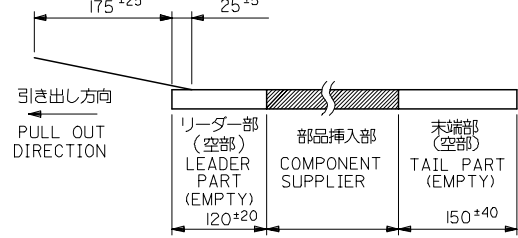
REEL



注記 NOTES

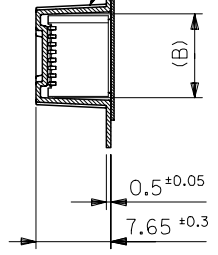
1. 梱包数量：1000個/リール NUMBER OF CONNECTORS:1000PCS/REEL
2. リードテープ長さ LEAD TAPE LENGTH

トップテープ TOP TAPE  
リーダー部 LEADER PART      トップテープ TOP TAPE  
未接着部 NON-BONDED PART

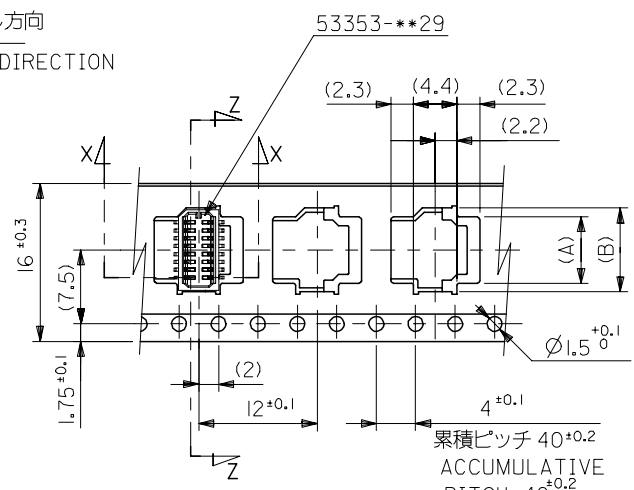


引き出し方向  
PULL OUT DIRECTION

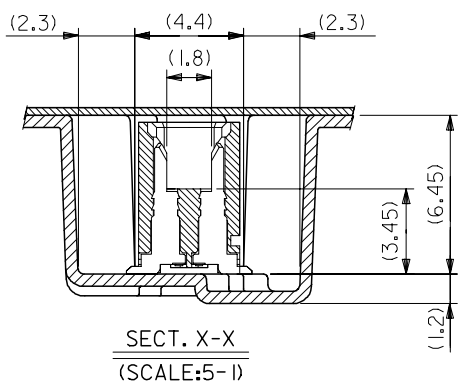
トップテープ  
TOP TAPE



SECT. Z-Z

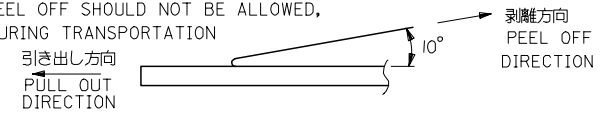


16mm幅キャリアテープ  
16mm WIDTH CARRIER TAPE



SECT. X-X  
(SCALE:5-1)

3. トップテープの剥離強度：(剥離方向は下図参照)  
0. 1~1. 3N {10~130gf} 尚、本規格値は、出荷時に適用。  
(但し、輸送時に剥離が発生しない事。)  
PEELING OFF FORCE OF TOP TAPE  
0. 1~1. 3N {10~130gf} (PEELING DIRECTION AS SHOWN IN FOLLOWING FIG.)  
THIS REQUIREMENT SHOULD BE APPLIED AT SHIPMENT  
PEEL OFF SHOULD NOT BE ALLOWED,  
DURING TRANSPORTATION

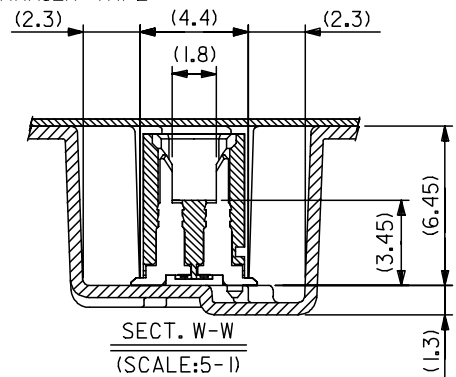
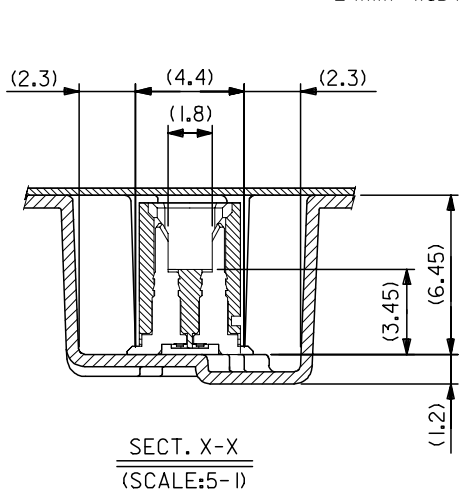
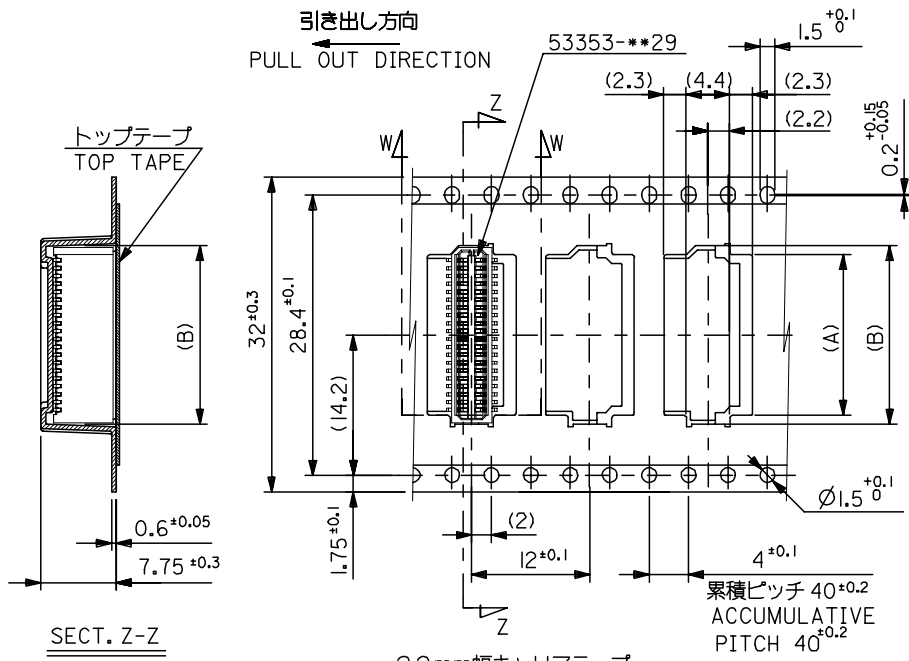
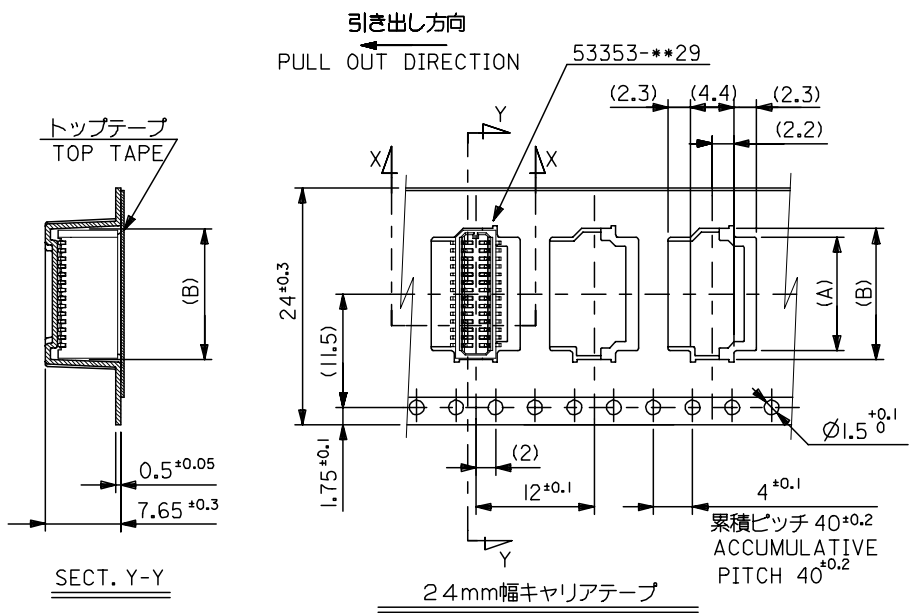


4. 材料 MATERIAL  
キャリアテープ：ポリプロピレン (PP) CARRIER TAPE:POLYPROPYLENE  
トップテープ：PET, PE, PEF TOP TAPE:PET,PE,PEF  
リール：ポリスチレン (PS) REEL:POLYSTYRENE(PS)  
<リサイクル材を含む> <RECYCLE MATERIAL CONTAIND>
5. 本製品は53353-\*\*-91の鉛フリー品である。  
THIS PRODUCT IS LEAD FREE OF 53353-\*\*-91.

16	21.4	17.4	8.5	6.7	53353-1671	16
			7.7	5.9	53353-1471	14
			6.9	5.1	53353-1271	12
			6.1	4.3	53353-1071	10
キャリアテープ幅 CARRIER TAPE WIDTH	D	C	(B)	(A)	MATERIAL NO.	極数 CIRCUIT

MODEL NO. 53353-\*\*-91

REVISED EC NO: J2005-2159 DRAWN: KENSUJUKI 2005/01/26 CHKD: NUKITA 2005/01/26 APPR: NUKITA 2005/02/02 REV: A	GENERAL TOLERANCES (UNLESS SPECIFIED)		DIMENSION STYLE MM ONLY		SCALE ---	DESIGN UNITS METRIC	THIRD ANGLE PROJECTION
	10 UNDER	±0.2	DRAWN BY YWADA	DATE 2004/03/04	TITLE 0.8 BTB CONN WAFER ASSY ST SMT WITHOUT BOSS EMBTP PKG -LEAD FREE-		
	10 OVER 30 UNDER	±0.25	CHECKED BY MSASAO	DATE 2004/03/04	APPROVED BY MSASAO 2004/03/04		
	30 OVER	±0.3	APPROVED BY MSASAO 2004/03/04		MOLEX INCORPORATED		
	ANGULAR	±3 °	MATERIAL NO. SEE CHART		DOCUMENT NO. SD-53353-004	SHEET NO. 1 OF 2	
DRAFT WHERE APPLICABLE MUST REMAIN WITHIN DIMENSIONS		THIS DRAWING CONTAINS INFORMATION THAT IS PROPRIETARY TO MOLEX INCORPORATED AND SHOULD NOT BE USED WITHOUT WRITTEN PERMISSION					



キャリアテープ幅 CARRIER TAPE WIDTH		D		C		(B)	(A)	MATERIAL NO.	極数 CIRCUIT
32	37.4	33.4	18.1	16.3	53353-4071	40			
			16.5	14.7	53353-3671	36			
24	29.4	25.4	14.1	12.3	53353-3071	30			
			13.3	11.5	53353-2871	28			
			10.9	9.1	53353-2271	22			
			10.1	8.3	53353-2071	20			
			9.3	7.5	53353-1871	18			

REVISED EC NO: J2005-2159 DRAWN: KENSUJUKI 2005/01/26 CHKD: NUKITA 2005/01/26 APPR: NUKITA 2005/02/02	GENERAL TOLERANCES (UNLESS SPECIFIED)		DIMENSION STYLE	SCALE	DESIGN UNITS	THIRD ANGLE PROJECTION
			MM ONLY	---	METRIC	
	10 UNDER	±0.2	DRAWN BY	DATE	TITLE	
	10 OVER 30 UNDER	±0.25	YWADA	2004/03/04	0.8 BTB CONN WAFER ASSY ST SMT WITHOUT BOSS EMBTP PKG -LEAD FREE-	
30 OVER	±0.3	CHECKED BY	DATE	MOLEX INCORPORATED		
ANGULAR	±3°	MSASAO	2004/03/04	MATERIAL NO.		
DRAFT WHERE APPLICABLE MUST REMAIN WITHIN DIMENSIONS		APPROVED BY	DATE	DOCUMENT NO.		
		MSASAO	2004/03/04	SD-53353-004		
		SEE CHART		SHEET NO.		
		SIZE A3		2 OF 2		