

PLEASE CHECK WWW.MOLEX.COM FOR LATEST PART INFORMATION

Part Number: [0520453445](#)
Status: **Active**
Overview:
Description: 1.25mm (.049") Vertical, Non-ZIF Receptacle, 34 Circuits

Agency Certification

UL E29179

General

Product Family FFC/FPC Connectors
 Series 52045
 Overview ffc_fpc_throughhole
 Product Name N/A

Physical

Circuits (Loaded) 34
 Color - Resin Gray
 Contact Position N/A
 Entry Angle Vertical
 Mated Height (in) 0.315 In
 Mated Height (mm) 8.00 mm
 Material - Metal Phosphor Bronze
 Material - Plating Mating Tin
 Material - Plating Termination Tin
 Material - Resin Polyester
 Number of Rows 1
 Orientation Vertical
 PC Tail Length (in) 0.138 In
 PC Tail Length (mm) 3.50 mm
 PCB Retention None
 Packaging Type Tray
 Pitch - Mating Interface (in) 0.049 In
 Pitch - Mating Interface (mm) 1.25 mm
 Plating min: Mating (µin) 32.00, 36
 Plating min: Mating (µm) 0.800, 0.90
 Plating min: Termination (µin) BARB
 Plating min: Termination (µm) 0.80, 0.90
 Polarized to PCB Yes
 Stackable No
 Surface Mount Compatible (SMC) No
 Temperature Range - Operating -40°C to +85°C
 Termination Interface: Style Through Hole - Kinked Pin
 Wire/Cable Type FFC/FPC

Electrical

Current - Maximum per Contact 0.5A, 1A
 Voltage - Maximum 200V

Material Info

Reference - Drawing Numbers

Packaging Specification SPK-52045
 Product Specification PS-52045-001, RPS-52045-003, RPS-52045-006
 Sales Drawing SD-52045-**45

EU RoHS

**ELV and RoHS
Compliant**

REACH SVHC

Contains SVHC: No

Halogen-Free

Status

Not Reviewed

China RoHS



**Need more information on product
environmental compliance?**

Email productcompliance@molex.com
 For a multiple part number RoHS Certificate of
 Compliance, [click here](#)

Please visit the [Contact Us](#) section for any
 non-product compliance questions.

Search Parts in this Series

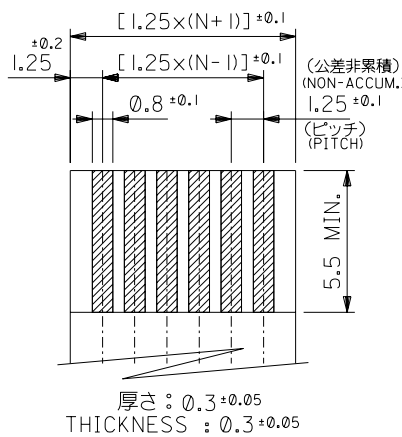
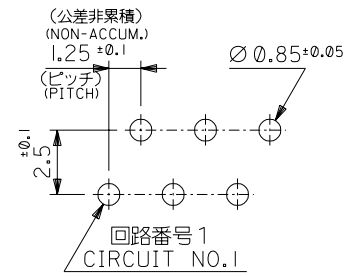
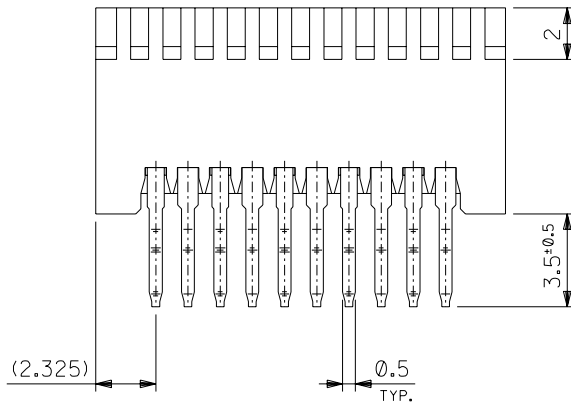
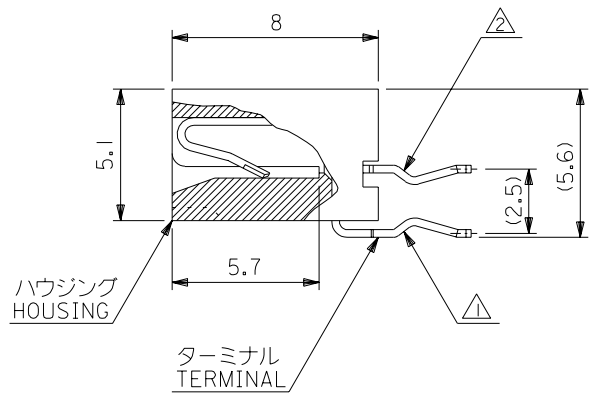
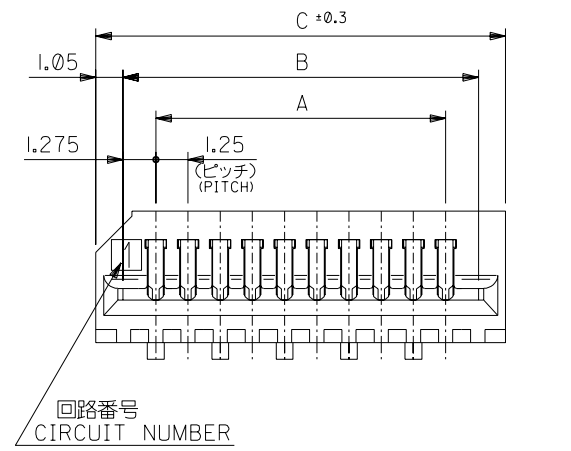
[52045Series](#)

This document was generated on 06/04/2010

PLEASE CHECK WWW.MOLEX.COM FOR LATEST PART INFORMATION

無鉛
LEAD FREE

| | | | | |
|-------|-------|-------|------------|----------------|
| 53.4 | 51.3 | 48.75 | 52045-4045 | 40 |
| 52.15 | 50.05 | 47.5 | ▲ -3945 | 39 |
| 50.9 | 48.8 | 46.25 | -3845 | 38 |
| 49.65 | 47.55 | 45 | -3745 | 37 |
| 48.4 | 46.3 | 43.75 | -3645 | 36 |
| 47.15 | 45.05 | 42.5 | -3545 | 35 |
| 45.9 | 43.8 | 41.25 | -3445 | 34 |
| 44.65 | 42.55 | 40 | -3345 | 33 |
| 43.4 | 41.3 | 38.75 | -3245 | 32 |
| 42.15 | 40.05 | 37.5 | -3145 | 31 |
| 40.9 | 38.8 | 36.25 | -3045 | 30 |
| 39.65 | 37.55 | 35 | -2945 | 29 |
| 38.4 | 36.3 | 33.75 | -2845 | 28 |
| 37.15 | 35.05 | 32.5 | -2745 | 27 |
| 35.9 | 33.8 | 31.25 | -2645 | 26 |
| 34.65 | 32.55 | 30 | -2545 | 25 |
| 33.4 | 31.3 | 28.75 | -2445 | 24 |
| 32.15 | 30.05 | 27.5 | -2345 | 23 |
| 30.9 | 28.8 | 26.25 | -2245 | 22 |
| 29.65 | 27.55 | 25 | -2145 | 21 |
| 28.4 | 26.3 | 23.75 | -2045 | 20 |
| 27.15 | 25.05 | 22.5 | -1945 | 19 |
| 25.9 | 23.8 | 21.25 | -1845 | 18 |
| 24.65 | 22.55 | 20 | -1745 | 17 |
| 23.4 | 21.3 | 18.75 | -1645 | 16 |
| 22.15 | 20.05 | 17.5 | -1545 | 15 |
| 20.9 | 18.8 | 16.25 | -1445 | 14 |
| 19.65 | 17.55 | 15 | -1345 | 13 |
| 18.4 | 16.3 | 13.75 | -1245 | 12 |
| 17.15 | 15.05 | 12.5 | -1145 | 11 |
| 15.9 | 13.8 | 11.25 | -1045 | 10 |
| 14.65 | 12.55 | 10 | -0945 | 9 |
| 13.4 | 11.3 | 8.75 | -0845 | 8 |
| 12.15 | 10.05 | 7.5 | -0745 | 7 |
| 10.9 | 8.8 | 6.25 | -0645 | 6 |
| 9.65 | 7.55 | 5 | -0545 | 5 |
| 8.4 | 6.3 | 3.75 | ▼ -0445 | 4 |
| 7.15 | 5.05 | 2.5 | 52045-0345 | 3 |
| C | B | A | ENG. NO. | NO. OF CKT. 極数 |



注記 NOTES

- ▲ 奇数極ソルダーテール。
ODD CIRCUIT SOLDER TAIL.
- △ 偶数極ソルダーテール。
EVEN CIRCUIT SOLDER TAIL.

3. 材質 MATERIAL

ターミナル：リン青銅 (t=0.3)
メッキ：錫メッキ 0.9 μm 以上
リフロー処理
TERMINAL：PHOSPHOR BRONZE (t=0.3)
PLATING：Sn 0.9 μm MIN.
REFLOW TREATMENT.
ハウジング：PBTP, UL94V-0 (灰色)
HOUSING：PBTP, UL94V-0 (GRAY)

基板取付穴推奨寸法
RECOMMENDED P.C.BOARD HOLE DIM.
(厚さ：1.6)
(THICKNESS：1.6)

適合 FFC/FPC 推奨寸法
APPLICABLE FFC/FPC RECOMMENDED DIM.

| | | | | |
|-------------------------|--------|----------------------------|------------------------------|---|
| 単位 DESIGN UNITS | mm | 材料 MATERIAL | 注記参照 SEE NOTES | 材料 MOLEX-JAPAN CO.,LTD. 日本モレックス株式会社 |
| 角度 ANGLE | ±3° | 仕上げ FINISH | — — | REVISE ONLY ON CAD SYSTEM |
| 30 以上 OVER | +0.3 | 適用電線範囲 WIRE RANGE | — — | TITLE 名称 |
| 10 以上 30 未満 OVER UNDER | +0.25 | 被覆外径 INS. RANGE | — — | 1.25 FFC CONNECTOR HS'G ASS'Y ST. TYPE |
| 未満 10 UNDER | +0.2 | DRAWN BY '94/6/15 T.NIITSU | CHK'D BY '94/6/16 H.HIRAMOTO | DWG. NO. |
| 一般公差 GENERAL TOLERANCES | 記号 LTR | 変更内容 REVISION RECORD | 日付 DATE | APP'D BY '94/6/16 M.FUKUSHIMA |
| | | DR. CHK. | | 尺度 SCALE 5 - 1 |
| | | | | REV D |