

**PLEASE CHECK WWW.MOLEX.COM FOR LATEST PART INFORMATION**

**Part Number:** [0510670704](#)  
**Status:** **Active**  
**Description:** 3.50mm (.138") Pitch Wire-to-Board Housing, Positive Lock, 7 Circuits, Blue Housing Color

**Documents:**

[3D Model](#) [Product Specification PS-51067-021 \(PDF\)](#)  
[Drawing \(PDF\)](#) [RoHS Certificate of Compliance \(PDF\)](#)  
[Product Specification PS-51067-019 \(PDF\)](#)

**Agency Certification**

CSA LR19980  
 UL E29179

**General**

Product Family Crimp Housings  
 Series [51067](#)  
 Product Name N/A

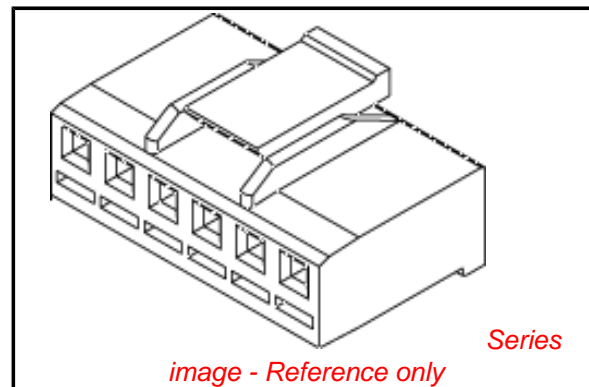
**Physical**

Circuits (maximum) 7  
 Color - Resin Natural  
 Flammability 94V-0  
 Gender Female  
 Glow-Wire Compliant No  
 Material - Resin Polyester  
 Number of Rows 1  
 Packaging Type Bag  
 Panel Mount No  
 Pitch - Mating Interface (in) 0.138 In  
 Pitch - Mating Interface (mm) 3.50 mm  
 Stackable No  
 Temperature Range - Operating -40°C to +105°C

**Material Info**

**Reference - Drawing Numbers**

Product Specification PS-51067-019, PS-51067-021, RPS-51067-025,  
 RPS-51067-035, RPS-51067-041  
 Sales Drawing SD-51067-001



**EU RoHS**

**ELV and RoHS  
 Compliant**  
**REACH SVHC  
 Contains SVHC: No**  
**Halogen-Free  
 Status  
 Not Reviewed**

**China RoHS**



**Need more information on product  
 environmental compliance?**

Email [productcompliance@molex.com](mailto:productcompliance@molex.com)  
 For a multiple part number RoHS Certificate of  
 Compliance, [click here](#)

Please visit the [Contact Us](#) section for any  
 non-product compliance questions.

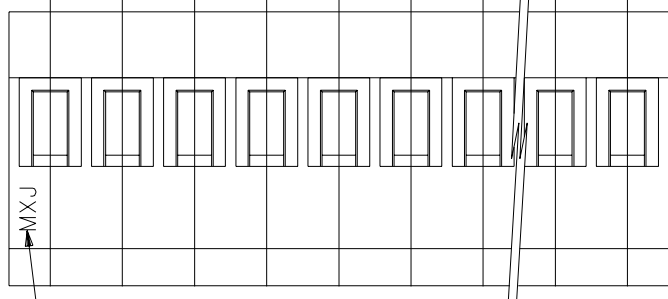
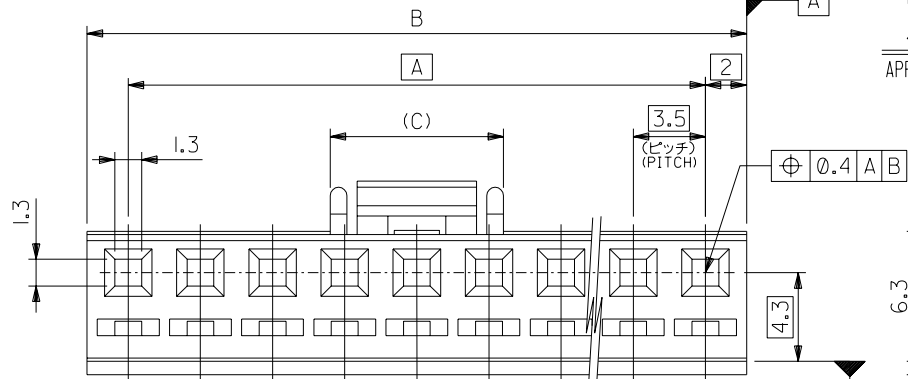
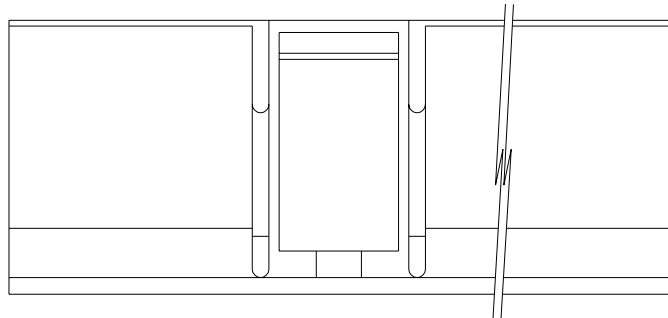
**Search Parts in this Series**  
[51067Series](#)

**Mates With**  
[53258](#) , [53259](#) , [53265](#) , [53266](#)

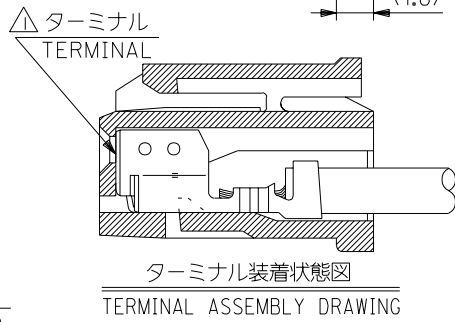
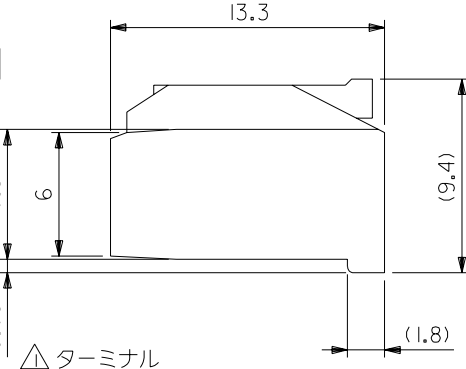
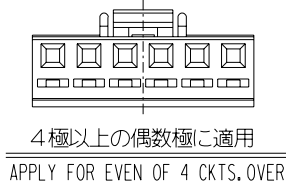
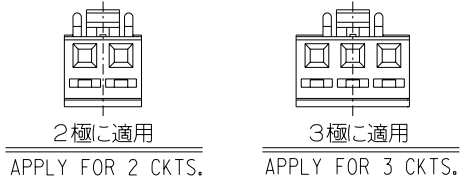
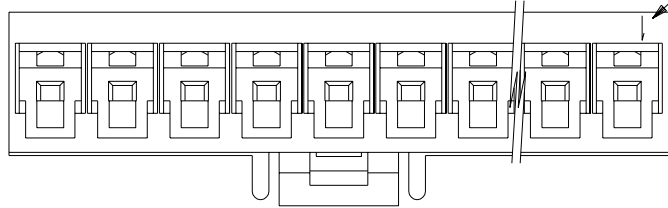
**Use With**  
[50217](#) Crimp Terminals

DWG. NO.  
SD-51067-001

MM DIMENSIONS IN METRIC DO NOT SCALE DRAWING



トレードマーク  
TRADE MARK



注記 NOTES

- △ 適合ターミナル：50217 シリーズ  
APPLICABLE TERMINAL：50217 SERIES
  - 2. 嵌合相手：53258,53265,53259,53266 シリーズ  
MATE WITH：53258,53265,53259,53266 SERIES
  - △ 製品番号の末尾は製品の色を示す。  
COLOR OF WAFER  
CORRESPONDS TO LAST DIGIT OF MATERIAL NO.
- |   |        |              |
|---|--------|--------------|
| 黒 | BLACK  | : 51067-***1 |
| 赤 | RED    | : 51067-***2 |
| 黄 | YELLOW | : 51067-***3 |
| 青 | BLUE   | : 51067-***4 |
| 緑 | GREEN  | : 51067-***6 |

8.4	53.0	49.0	51067-150*	15
	49.5	45.5	-140*	14
	46.0	42.0	-130*	13
	42.5	38.5	-120*	12
	39.0	35.0	-110*	11
	35.5	31.5	-100*	10
	32.0	28.0	-090*	9
	28.5	24.5	-080*	8
	25.0	21.0	-070*	7
	21.5	17.5	-060*	6
	18.0	14.0	-050*	5
8.4	14.5	10.5	-040*	4
5.8	11.0	7.0	-030*	3
5.8	7.5	3.5	51067-020*	2
(C)	B	A	△ MATERIAL NO.	CKT. 極数

角度 ANGLE	±3°
30以上 OVER	+0.3
10以上 OVER 30未滿 UNDER	+0.25
10未滿 UNDER	+0.2
一般公差 GENERAL TOLERANCES	
記号 LTR	変更内容 REVISION RECORD
DR. CHK.	日付 DATE

材料 MATERIAL	PBT,UL94V-0
仕上げ FINISH	—
適用電線範囲 WIRE RANGE	—
被覆外径 INS. RANGE	—
DRAWN BY '04/06/10	CHK'D BY '04/06/10
Y.WADA	M.SASAO
APP'D BY '04/06/10	尺度 SCALE
M.SASAO	—

MODEL NO.	51067-***0*
MATERIAL PBT,UL94V-0	
REVISE ONLY ON CAD SYSTEM	
TITLE 名称	
3.5 WIRE TO BOARD CONN. RECEPTACLE HOUSING	
DWG. NO.	SD-51067-001
REV	0