

**PLEASE CHECK WWW.MOLEX.COM FOR LATEST PART INFORMATION**

**Part Number:** [0473370005](#)  
**Status:** **Active**  
**Description:** Cover for Mobile Phone Camera Socket, 8.5x8.5, Top Mount, Stainless Steel, Lead free

**Documents:**

[3D Model](#) [RoHS Certificate of Compliance \(PDF\)](#)  
[Drawing \(PDF\)](#)

**General**

Product Family	Other Sockets
Series	<a href="#">47337</a>
Component Type	Cover
Product Name	Camera Socket Cover

**Physical**

Circuits (Loaded)	0
Circuits (maximum)	0
Durability (mating cycles max)	Contact Molex
Entry Angle	Bottom Entry
Keying to Mating Part	N/A
Material - Metal	Stainless Steel
Material - Plating Mating	Unplated
Material - Plating Termination	Unplated
PCB Locator	No
PCB Retention	N/A
Packaging Type	Tray
Pitch - Mating Interface (in)	0.000 In
Pitch - Mating Interface (mm)	0.00 mm
Pitch - Term. Interface (in)	0.000 In
Pitch - Term. Interface (mm)	0.00 mm

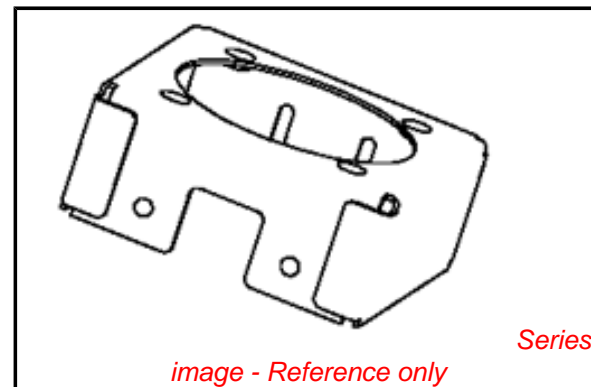
**Electrical**

Current - Maximum per Contact	N/A
Voltage - Maximum	N/A

**Material Info**

**Reference - Drawing Numbers**

Sales Drawing	SD-47337-002
---------------	--------------



**EU RoHS**

**ELV and RoHS  
Compliant**  
**REACH SVHC  
Contains SVHC: No**  
**Halogen-Free  
Status**

**China RoHS**



**Need more information on product  
environmental compliance?**

Email [productcompliance@molex.com](mailto:productcompliance@molex.com)  
 For a multiple part number RoHS Certificate of Compliance, [click here](#)

Please visit the [Contact Us](#) section for any non-product compliance questions.

**Search Parts in this Series**

[47337Series](#)

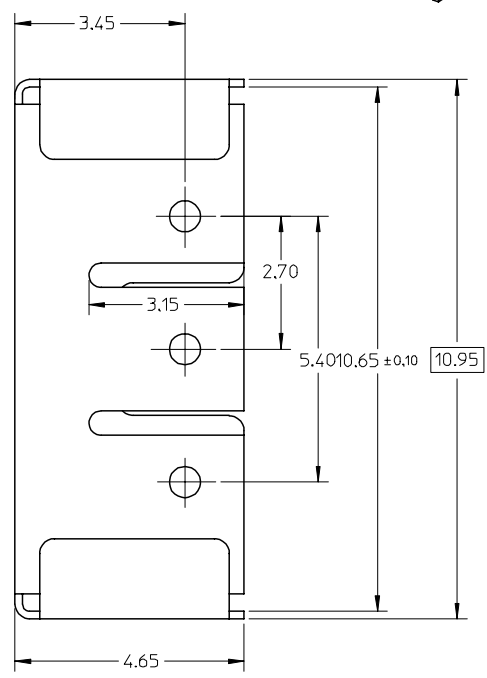
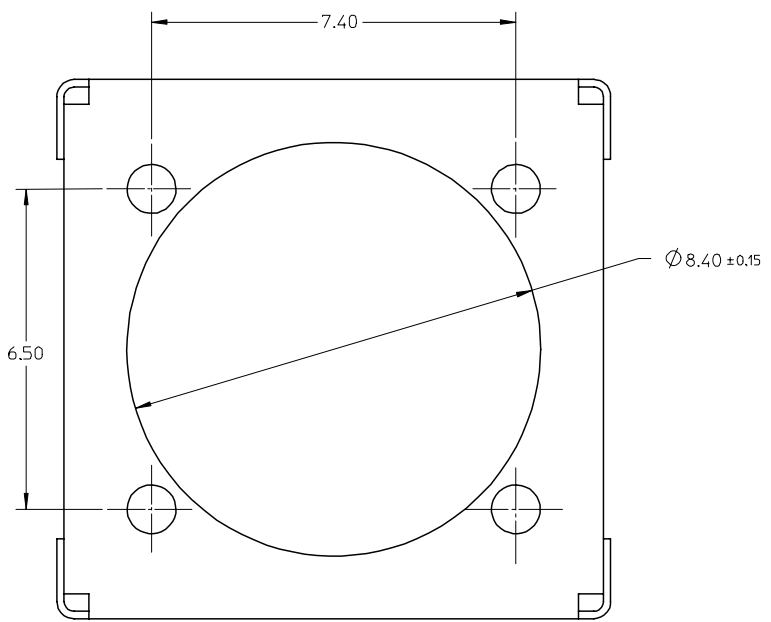
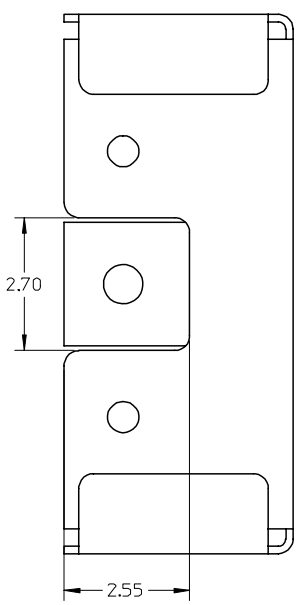
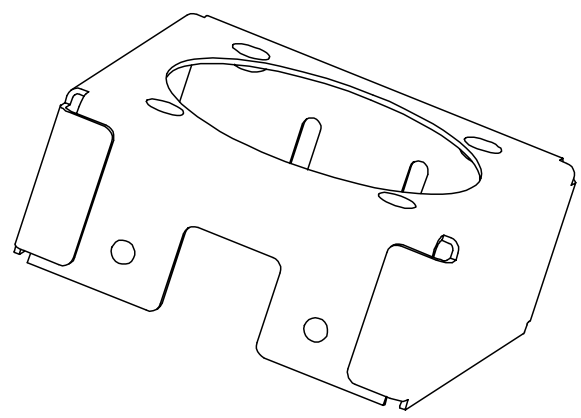
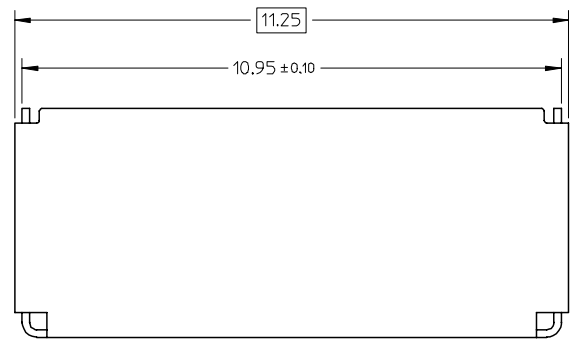
**Use With**

[47337-0001](#) Camera Socket

10 9 8 7 6 5 4 3 2 1

F  
E  
D  
C  
B  
A

F  
E  
D  
C  
B  
A



Notes:  
1.MATERIALS:STAINLESS STEEL.  
2.FINISH:NONPLATED.

RELEASE	EC NO: SH2007-0619	2007/03/01
DRWN: IHE	CHKD: XIXU	2007/03/06
APPR: JNCHEN		2007/03/06
REV	DESCRIPTION	

QUALITY SYMBOLS	▽=0
	∇=0

GENERAL TOLERANCES (UNLESS SPECIFIED)	
	mm
4 PLACES	± 0.10
3 PLACES	± 0.15
2 PLACES	± 0.25
1 PLACE	± 0.25
ANGULAR ± 1 °	
DRAFT WHERE APPLICABLE MUST REMAIN WITHIN DIMENSIONS	

DIMENSION STYLE		SCALE	DESIGN UNITS	THIRD ANGLE PROJECTION
MM ONLY		10:1	METRIC	
DRAWN BY	DATE	TITLE		
IVAN HE	2006/06/16	TOP COVER FOR CAMERA SOCKET 8.5*8.5 TOP MOUNT		
CHECKED BY	DATE	MOLEX INCORPORATED		
XIXU	2006/06/16	MATERIAL NO. 473370005		
APPROVED BY	DATE	DOCUMENT NO. SD-47337-002		
JENNY CHEN	2006/06/16	SHEET NO. 1 OF 1		

MOLEX INCORPORATED	
MATERIAL NO. 473370005	
DOCUMENT NO. SD-47337-002	
SHEET NO. 1 OF 1	

9 8 7 6 5 4 3 2 1