

PLEASE CHECK WWW.MOLEX.COM FOR LATEST PART INFORMATION

Part Number: **0467652001**
Status: **Active**
Overview: type d micro connectors
Description: 0.40mm (.016") Pitch HDMI* Type D Micro Connector, Right Angle Receptacle, SMT, Hybrid Type Mount, with Kapton Tape, 19 Circuits, Lead free

Documents:

[3D Model](#)
[Packaging Specification \(PDF\)](#)
[Drawing \(PDF\)](#)
[Product Specification PS-46765-003 \(PDF\)](#)
[RoHS Certificate of Compliance \(PDF\)](#)

General

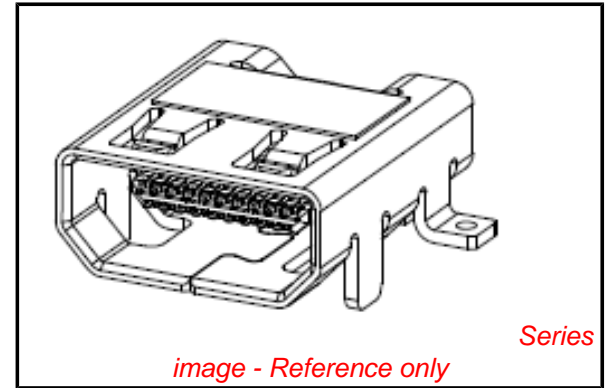
Product Family	I/O Connectors
Series	46765
Application	Wire-to-Board
Comments	Hybrid Mount comprise Vertical and Horizontal type shell tabs
Component Type	Receptacle
Overview	type d micro connectors
Product Name	HDMI, Micro HDMI*
Type	D

Physical

Boot Color	N/A
Circuits (Loaded)	19
Circuits (maximum)	19
Gender	Male
Keying to Mating Part	Yes
Lock to Mating Part	Yes
Material - Metal	Copper Alloy
Material - Plating Mating	Gold
Material - Plating Termination	Gold
Material - Resin	High Temperature Thermoplastic
Number of Rows	2
Orientation	Right Angle
PCB Retention	Yes
Packaging Type	Embossed Tape on Reel
Panel Mount	No
Pitch - Mating Interface (in)	0.016 In
Pitch - Mating Interface (mm)	0.40 mm
Pitch - Term. Interface (in)	0.016 In
Pitch - Term. Interface (mm)	0.40 mm
Plating min: Mating (µin)	30
Plating min: Mating (µm)	0.76
Plating min: Termination (µin)	2
Plating min: Termination (µm)	0.05
Polarized to Mating Part	Yes
Polarized to PCB	Yes
Ports	1
Termination Interface: Style	Surface Mount
Waterproof / Dustproof	No

Electrical

Current - Maximum per Contact	0.8A
Grounding to Panel	Yes
Shield Type	Full Shield



EU RoHS

ELV and RoHS Compliant
REACH SVHC
Contains SVHC: No
Halogen-Free
Status
Not Reviewed

China RoHS



Need more information on product environmental compliance?

Email productcompliance@molex.com
 For a multiple part number RoHS Certificate of Compliance, [click here](#)

Please visit the [Contact Us](#) section for any non-product compliance questions.

Search Parts in this Series
 46765Series

Mates With
 68786 Micro HDMI* Cable Assemblies

Shielded	Yes
Voltage - Maximum	30V

Material Info

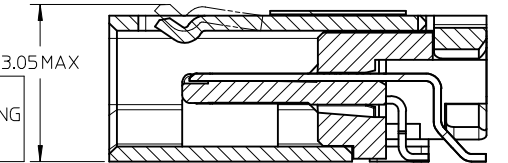
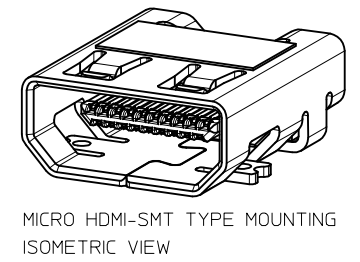
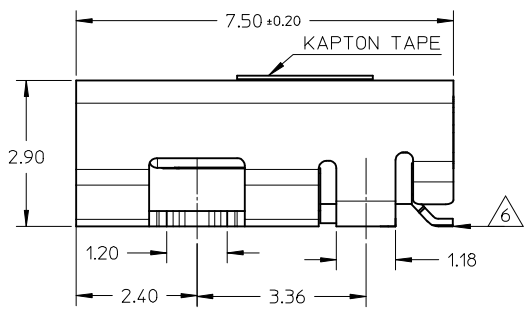
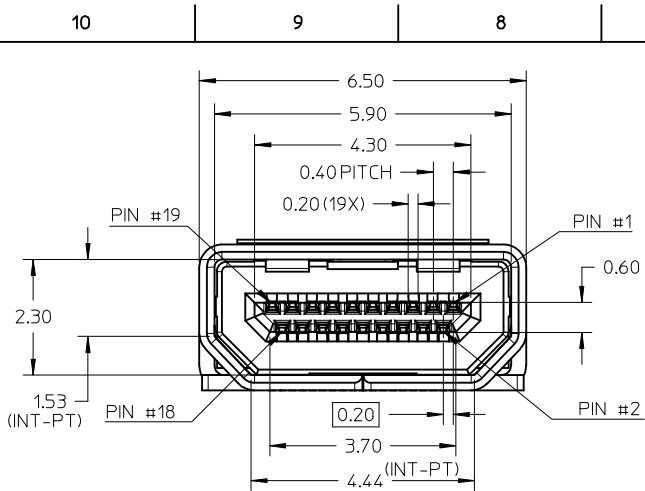
Reference - Drawing Numbers

Packaging Specification	PK-46765-001, PK-89990-880
Product Specification	PS-46765-003, RPS-46765-003, RPS-46765-004
Sales Drawing	SD-46765-001

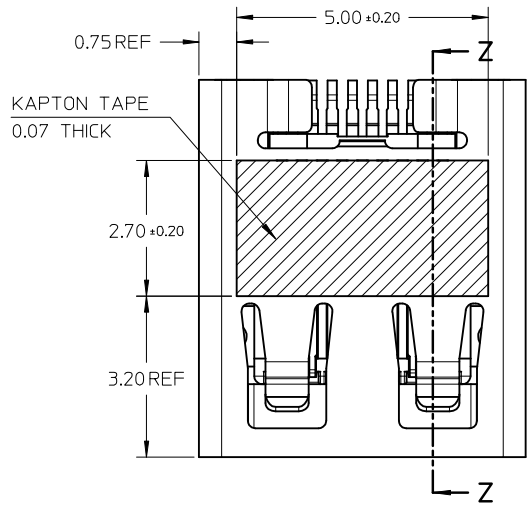
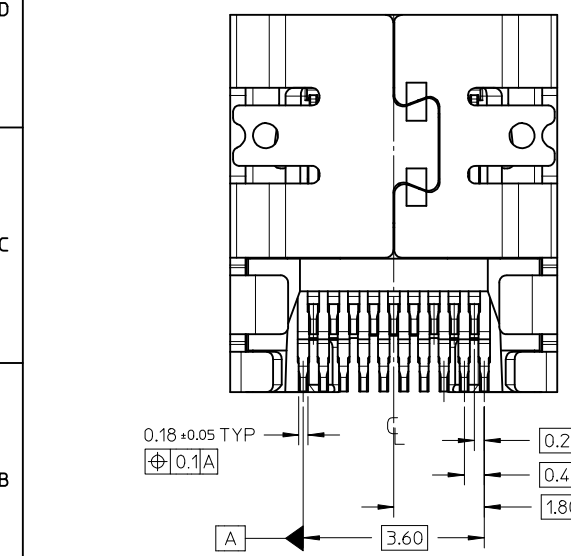
* High Definition Multimedia Interface and HDMI are trademarks of HDMI Licensing, LLC.

This document was generated on 05/27/2010

PLEASE CHECK WWW.MOLEX.COM FOR LATEST PART INFORMATION



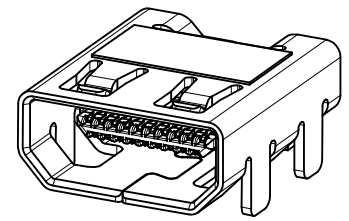
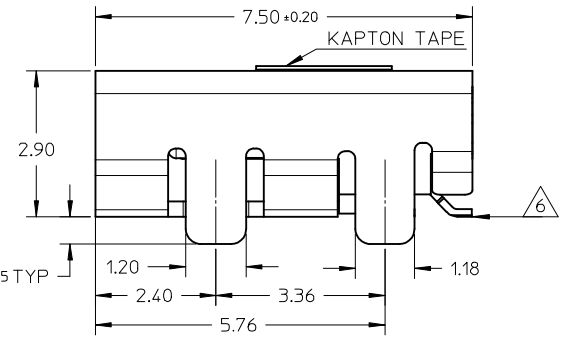
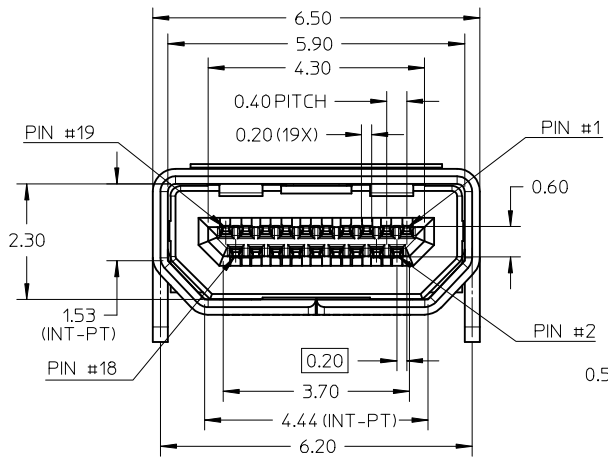
SECTION Z-Z



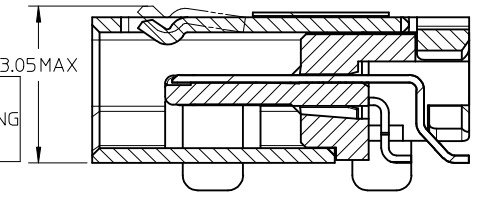
- NOTES:
- MATERIALS:
HOUSING: LCP, 30% GLASS FILLED, UL94V-0
TERMINALS: BRASS ALLOY
SHIELD: STAINLESS STEEL
 - FINISHES:
TERMINALS: 0.76UM MIN GOLD ON CONTACT AREA, 0.05UM MIN GOLD FLASH ON SOLDER TAILS, AND 2.0UM MIN NICKEL UNDERPLATE OVERALL
SHIELD: 3.8UM MIN MATTE TIN OVER 1.27UM MIN NICKEL
 - PRODUCT SPECIFICATION: PS-46765-001
 - PACKAGING SPECIFICATION: PACKED IN TAPE & REEL
 - SEE SHEET 4 OF 5 FOR RECOMMENDED PCB LAYOUT
 - TERMINAL SOLDER-TAIL COPLANARITY 0.08 MAX

MOUNTING TYPE	PART NUMBER
SMT TYPE+KAPTON TAPE	46765-0001
SMT TYPE	46765-0011

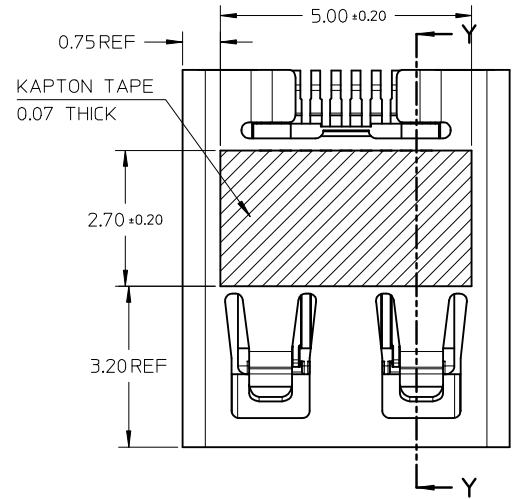
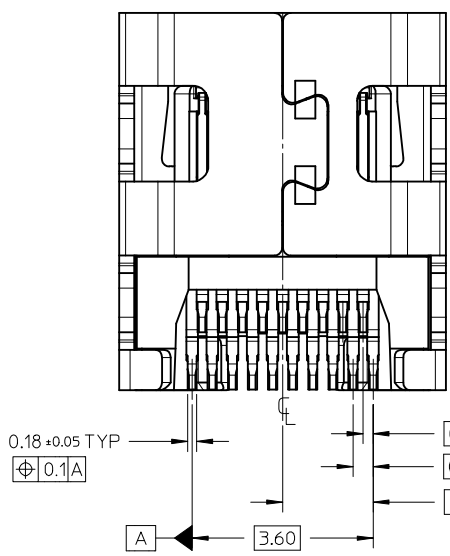
RELEASED IEC NO: S2010-0287 DRWN:KSSHAMTHA 2009/10/05 CHKD: JESSIECHUA 2009/10/05 APPR: NAGESHKN 2009/10/06	QUALITY SYMBOLS ▽=0 ▽=0	GENERAL TOLERANCES (UNLESS SPECIFIED) mm INCH 4 PLACES ± --- ± --- 3 PLACES ± --- ± --- 2 PLACES ± 0.1 ± --- 1 PLACE ± --- ± --- ANGULAR ± 2 °	DIMENSION STYLE MM ONLY	SCALE NTS	DESIGN UNITS METRIC	THIRD ANGLE PROJECTION
	DRAWN BY MKAMARAU	DATE 2008/10/14	TITLE MICRO HDMI, TYPE-D 0.4MM PITCH, 19CKT RECEPTACLE CONNECTOR			
	CHECKED BY MKAMARAU	DATE 2008/10/14	MOLEX INCORPORATED			
	APPROVED BY MBANAKIS	DATE 2008/10/14	MATERIAL NO. SEE TABLE	DOCUMENT NO. SD-46765-001	SHEET NO. 1 OF 5	



MICRO HDMI-THRU HOLE TYPE MOUNTING ISOMETRIC VIEW



SECTION Y-Y

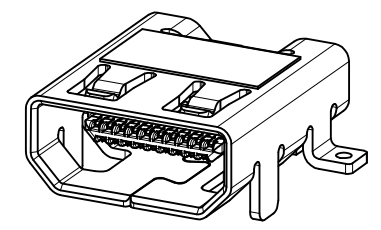
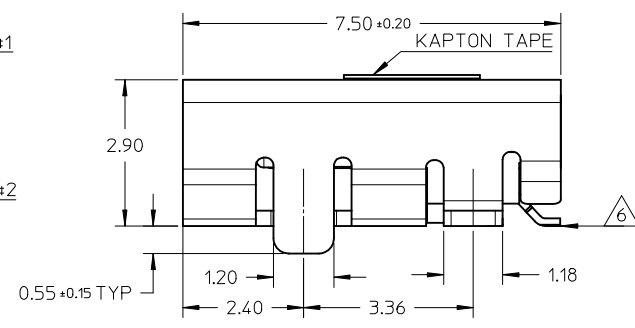
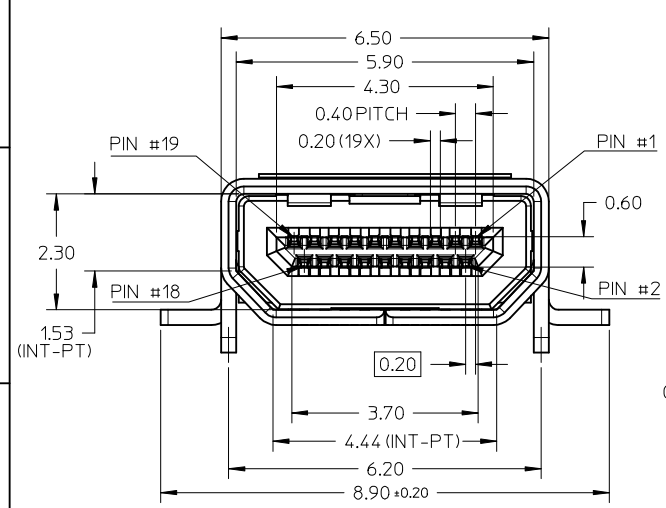


NOTES:

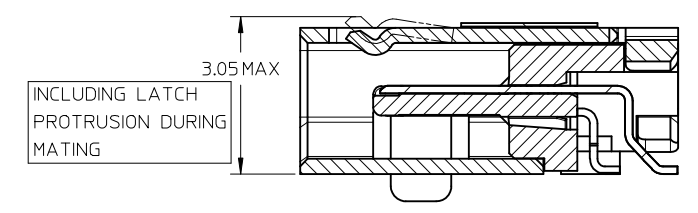
- MATERIALS:
HOUSING: LCP, 30% GLASS FILLED, UL94V-0
TERMINALS: BRASS ALLOY
SHIELD: STAINLESS STEEL
- FINISHES:
TERMINALS: 0.76UM MIN GOLD ON CONTACT AREA, 0.05UM MIN GOLD FLASH ON SOLDER TAILS, AND 2.0UM MIN NICKEL UNDERPLATE OVERALL
SHIELD: 3.8UM MIN MATTE TIN OVER 1.27UM MIN NICKEL
- PRODUCT SPECIFICATION: PS-46765-001
- PACKAGING SPECIFICATION: PACKED IN TAPE & REEL
- SEE SHEET 4 OF 5 FOR RECOMMENDED PCB LAYOUT
- TERMINAL SOLDER-TAIL COPLANARITY 0.08 MAX

MOUNTING TYPE	PART NUMBER
THRU HOLE TYPE+KAPTON TAPE	46765-1001
THRU HOLE TYPE	46765-1011

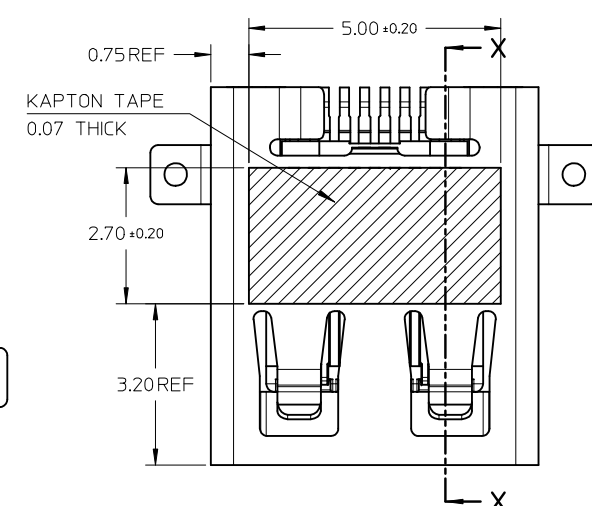
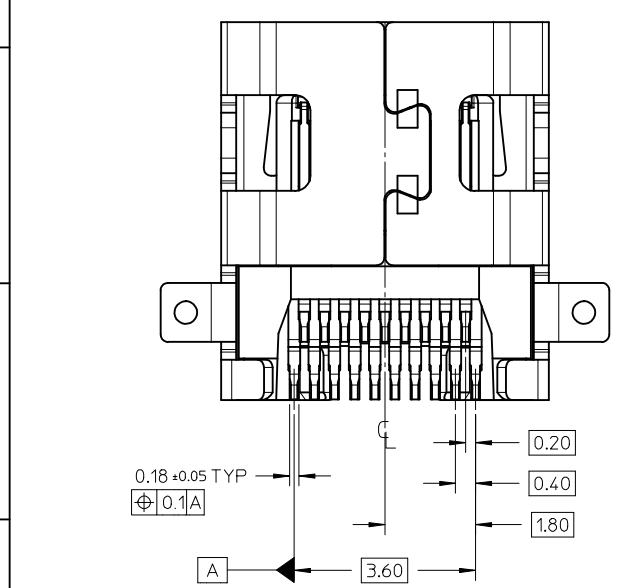
RELEASED IEC NO: S2010-0287 DRW:KSSHANITHA 2009/10/05 CHKD:JESSIECHUA 2009/10/05 APPR:NAAGESHKN 2009/10/06	QUALITY SYMBOLS	GENERAL TOLERANCES (UNLESS SPECIFIED)	DIMENSION STYLE	SCALE	DESIGN UNITS	THIRD ANGLE PROJECTION
	▼=0 ◻=0	mm INCH 4 PLACES ± --- ± --- 3 PLACES ± --- ± --- 2 PLACES ± 0.1 ± --- 1 PLACE ± --- ± --- ANGULAR ± 2 °	MM ONLY	NTS	METRIC	
	DRAWN BY: MKAMARAU CHECKED BY: MKAMARAU APPROVED BY: MBANAKIS MATERIAL NO.	DATE: 2008/10/14 DATE: 2008/10/14 DATE: 2008/10/14	TITLE			
	DRAFT WHERE APPLICABLE MUST REMAIN WITHIN DIMENSIONS	SEE TABLE	MICRO HDMI, TYPE-D 0.4MM PITCH, 19CKT RECEPTACLE CONNECTOR	MOLEX INCORPORATED	DOCUMENT NO. SD-46765-001	SHEET NO. 2 OF 5



MICRO HDMI-HYBRID TYPE MOUNTING ISOMETRIC VIEW



SECTION X-X

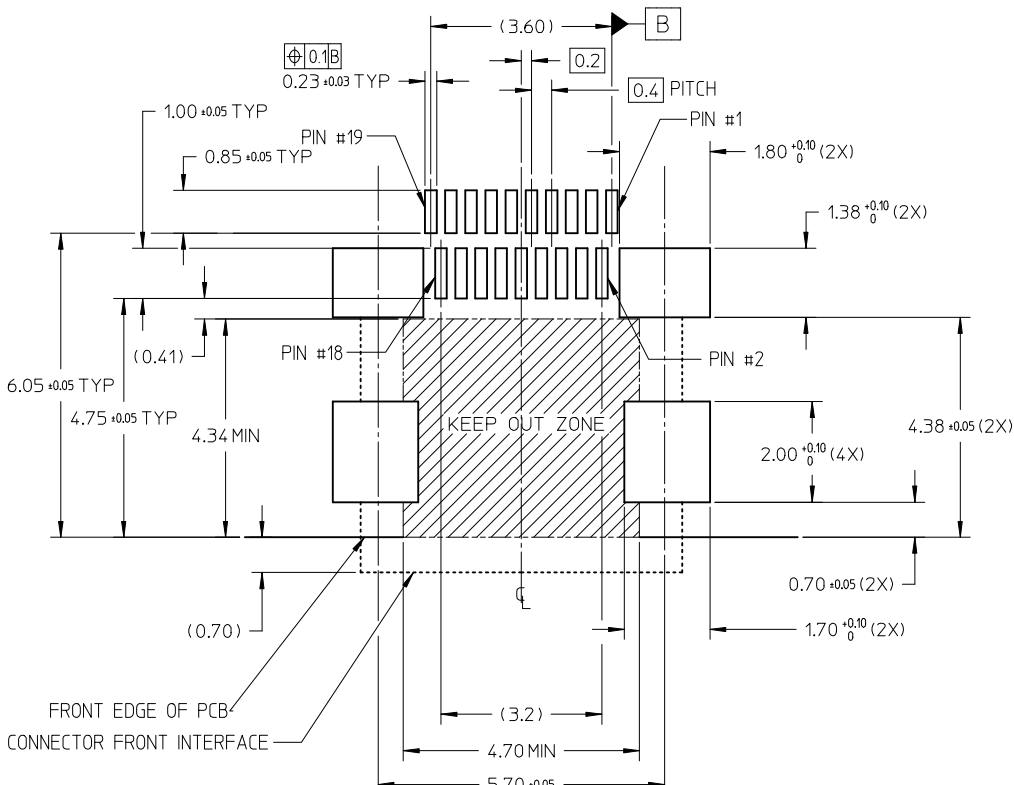


NOTES:

- MATERIALS:
HOUSING: LCP, 30% GLASS FILLED, UL94V-0
TERMINALS: BRASS ALLOY
SHIELD: STAINLESS STEEL
- FINISHES:
TERMINALS: 0.76UM MIN GOLD ON CONTACT AREA, 0.05UM MIN GOLD FLASH ON SOLDER TAILS, AND 2.0UM MIN NICKEL UNDERPLATE OVERALL
SHIELD: 3.8UM MIN MATTE TIN OVER 1.27UM MIN NICKEL
- PRODUCT SPECIFICATION: PS-46765-001
- PACKAGING SPECIFICATION: PACKED IN TAPE & REEL
- SEE SHEET 4 OF 5 FOR RECOMMENDED PCB LAYOUT
- TERMINAL SOLDER-TAIL COPLANARITY 0.08 MAX

MOUNTING TYPE	PART NUMBER
HYBRID TYPE+KAPTON TAPE	46765-2001
HYBRID TYPE	46765-2011

RELEASED EC NO: S2010-0287 DRW:KSSHANTHA 2009/10/05 CHKD:JESSIECHUA 2009/10/05 APPR:NAAGESHKN 2009/10/06	QUALITY SYMBOLS	GENERAL TOLERANCES (UNLESS SPECIFIED)	DIMENSION STYLE	SCALE	DESIGN UNITS	THIRD ANGLE PROJECTION
	▼=0 ◻=0	mm INCH 4 PLACES ± --- ± --- 3 PLACES ± --- ± --- 2 PLACES ± 0.1 ± --- 1 PLACE ± --- ± --- ANGULAR ± 2 °	MM ONLY	NTS	METRIC	
	REV	DESCRIPTION	DRAWN BY	DATE	TITLE	
	A3		MKAMARAU	2008/10/14	MICRO HDMI, TYPE-D 0.4MM PITCH, 19CKT RECEPTACLE CONNECTOR	
		DRAFT WHERE APPLICABLE MUST REMAIN WITHIN DIMENSIONS	CHECKED BY	DATE	MOLEX INCORPORATED	
			MBANAKIS	2008/10/14	DOCUMENT NO.	SHEET NO.
			SEE TABLE		SD-46765-001	3 OF 5
			SIZE	THIS DRAWING CONTAINS INFORMATION THAT IS PROPRIETARY TO MOLEX INCORPORATED AND SHOULD NOT BE USED WITHOUT WRITTEN PERMISSION		
			A3			



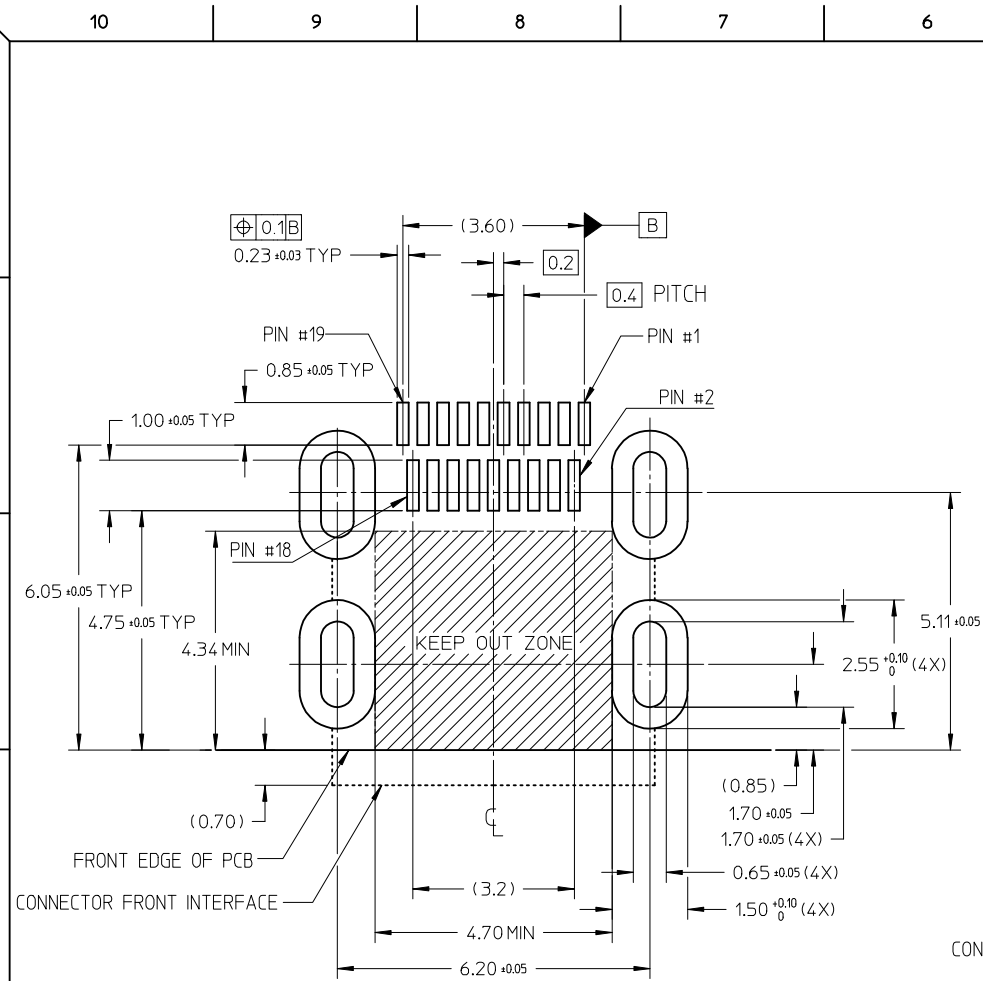
PIN	SIGNAL ASSIGNMENT
1	Hot Plug Detect
2	Utility
3	TMDS Data2+
4	TMDS Data2 Shield
5	TMDS Data2-
6	TMDS Data1+
7	TMDS Data1 Shield
8	TMDS Data1-
9	TMDS Data0+
10	TMDS Data0 Shield
11	TMDS Data0-
12	TMDS Clock+
13	TMDS Clock Shield
14	TMDS Clock-
15	CEC
16	DDC/CEC Ground
17	SCL
18	SDA
19	+5V Power

CONNECTION	SIGNALS
	TYPE D CONNECTOR
FIRST MAKE	CONNECTOR SHELL
SECOND MAKE	PINS 1 - 18
THIRD MAKE	PIN 19 (+5V POWER)

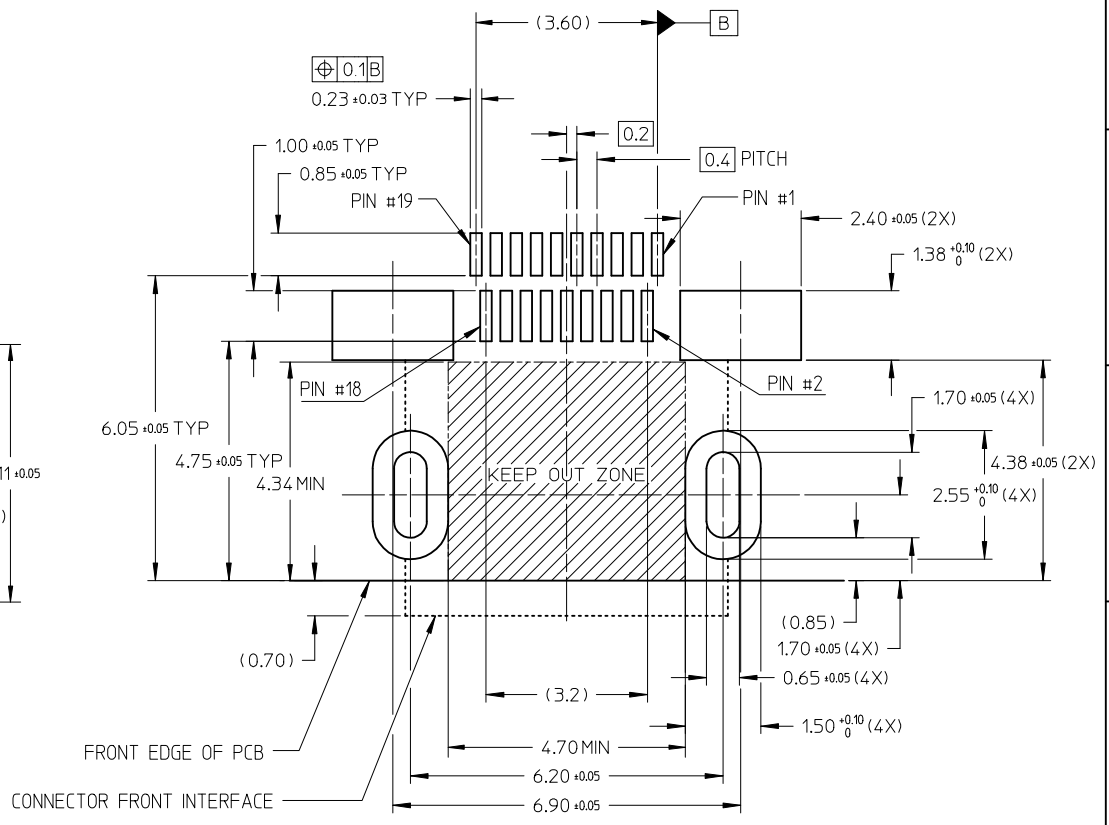
RECOMMENDED PCB LAYOUT

COMPONENT SIDE OF BOARD
SHEET 1 OF 5

REV	DESCRIPTION	QUALITY SYMBOLS	GENERAL TOLERANCES (UNLESS SPECIFIED)		DIMENSION STYLE		SCALE	DESIGN UNITS	THIRD ANGLE PROJECTION		
			mm	INCH	MM ONLY	NTS	METRIC	⊕			
A3	RELEASED EC NO: S2010-0287 DRINKSSHANITHA 2009/10/05 CHKD: JESSIECHUA 2009/10/05 APPR: MAGESHKIN 2009/10/06	=0 =0	4 PLACES	± ---	± ---	DRAWN BY	DATE	TITLE	MICRO HDMI, TYPE-D 0.4MM PITCH, 19CKT RECEPTACLE CONNECTOR MOLEX INCORPORATED	DOCUMENT NO.	SHEET NO.
			3 PLACES	± ---	± ---	MKAMARAU	2008/10/14				
			2 PLACES	± 0.1	± ---	CHECKED BY	DATE				
			1 PLACE	± ---	± ---	MKAMARAU	2008/10/14				
			ANGULAR ± 2 °			APPROVED BY	DATE				
DRAFT WHERE APPLICABLE MUST REMAIN WITHIN DIMENSIONS			MBANAKIS	2008/10/14	SEE TABLE	SD-46765-001	4 OF 5				
			SIZE		THIS DRAWING CONTAINS INFORMATION THAT IS PROPRIETARY TO MOLEX INCORPORATED AND SHOULD NOT BE USED WITHOUT WRITTEN PERMISSION						
			A3								



RECOMMENDED PCB LAYOUT
COMPONENT SIDE OF BOARD
SHEET 2 OF 5



RECOMMENDED PCB LAYOUT
COMPONENT SIDE OF BOARD
SHEET 3 OF 5

RELEASED EC NO: S2010-0287 DRWN: KSSHANTHA 2009/10/05 CHKD: JESSIECHUA 2009/10/05 APPR: NAGESHKN 2009/10/06	DESCRIPTION A3	QUALITY SYMBOLS	GENERAL TOLERANCES (UNLESS SPECIFIED)	DIMENSION STYLE	SCALE	DESIGN UNITS	THIRD ANGLE PROJECTION	
		$\nabla = 0$ $\square = 0$	mm INCH 4 PLACES ± --- ± --- 3 PLACES ± --- ± --- 2 PLACES ± 0.1 ± --- 1 PLACE ± --- ± --- ANGULAR ± 2 °	MM ONLY	NTS	METRIC		
				DRAWN BY	DATE	TITLE		
				CHECKED BY	DATE	MICRO HDMI, TYPE-D 0.4MM PITCH, 19CKT RECEPTACLE CONNECTOR MOLEX INCORPORATED		
				APPROVED BY	DATE			
				MATERIAL NO.				

DRAFT WHERE APPLICABLE
MUST REMAIN
WITHIN DIMENSIONS

SEE TABLE

THIS DRAWING CONTAINS INFORMATION THAT IS PROPRIETARY TO MOLEX INCORPORATED AND SHOULD NOT BE USED WITHOUT WRITTEN PERMISSION