

PLEASE CHECK WWW.MOLEX.COM FOR LATEST PART INFORMATION

Part Number: [0365000027](#)
Status: **Active**
Overview: [din_41612](#)
Description: 2.54mm (.100") Pitch DIN 41612 C Style Female Receptacle, Vertical, Through Hole, 0.30µm (12µ") Selective Gold (Au) Plating, 96 Circuits, without Mounting Clips, Solder Tail Length 4.50mm (.177"), No Flux Proof, Lead Free

Documents:

[Drawing \(PDF\)](#) [RoHS Certificate of Compliance \(PDF\)](#)
[Product Specification PS-36500-001 \(PDF\)](#)

General

| | |
|----------------|---|
| Product Family | Backplane Connectors |
| Series | 36500 |
| Application | Daughtercard |
| Comments | No Mounting Clips, Secured with Tubular Rivets/ Cheesehead Screws. No Flux Proof |
| Component Type | PCB Receptacle |
| Overview | din_41612 |
| Product Name | IEC 603-2/DIN 41612 |
| Style | C |

Physical

| | |
|--------------------------------|--------------------|
| Circuits (Loaded) | 96 |
| Circuits (maximum) | 96 |
| Circuits Detail | 1,2,3,...32; a+b+c |
| Color - Resin | Gray |
| Durability (mating cycles max) | 50 |
| First Mate / Last Break | Yes |
| Guide to Mating Part | No |
| Keying to Mating Part | Yes |
| Material - Metal | Phosphor Bronze |
| Material - Plating Mating | Gold |
| Material - Plating Termination | Tin |
| Material - Resin | Polyester |
| Number of Columns | 32 |
| Number of Pairs | Open Pin Field |
| Number of Rows | 3 |
| Orientation | Vertical |
| PC Tail Length (in) | 0.177 In |
| PC Tail Length (mm) | 4.50 mm |
| PCB Locator | No |
| PCB Retention | Yes |
| PCB Thickness Recommended (in) | 0.063 In |
| PCB Thickness Recommended (mm) | 1.60 mm |
| Packaging Type | Carton |
| Pitch - Mating Interface (in) | 0.100 In |
| Pitch - Mating Interface (mm) | 2.54 mm |
| Pitch - Term. Interface (in) | 0.100 In |
| Pitch - Term. Interface (mm) | 2.54 mm |
| Plating min: Mating (µin) | 12 |
| Plating min: Mating (µm) | 0.30 |
| Plating min: Termination (µin) | 200 |
| Plating min: Termination (µm) | 5.00 |
| Polarized to PCB | Yes |
| Stackable | No |

EU RoHS

ELV and RoHS

Compliant

REACH SVHC

Not Reviewed

Halogen-Free

Status

Not Reviewed

China RoHS



Need more information on product environmental compliance?

Email productcompliance@molex.com
 For a multiple part number RoHS Certificate of Compliance, [click here](#)

Please visit the [Contact Us](#) section for any non-product compliance questions.

Search Parts in this Series

[36500Series](#)

| | |
|--------------------------------|-----------------|
| Surface Mount Compatible (SMC) | No |
| Temperature Range - Operating | -55°C to +125°C |
| Termination Interface: Style | Through Hole |

Electrical

| | |
|-------------------------------|---------------|
| Current - Maximum per Contact | 1A |
| Data Rate | 622.0 Mbps |
| Voltage - Maximum | 250V AC (RMS) |

Solder Process Data

| | |
|--|------------------------|
| Duration at Max. Process Temperature (seconds) | 10 |
| Lead-free Process Capability | Wave Capable (TH only) |
| Process Temperature max. C | 260 |

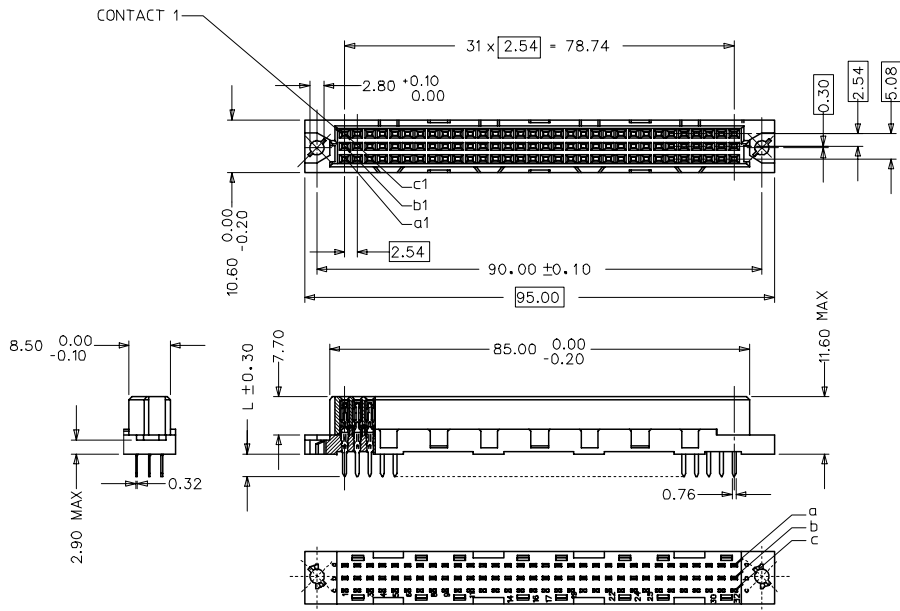
Material Info

Reference - Drawing Numbers

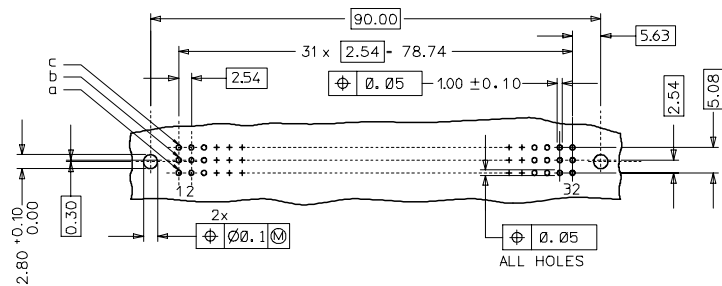
| | |
|-------------------------|--------------|
| Packaging Specification | PK-36500-001 |
| Product Specification | PS-36500-001 |
| Sales Drawing | SD-36500-001 |

This document was generated on 05/13/2010

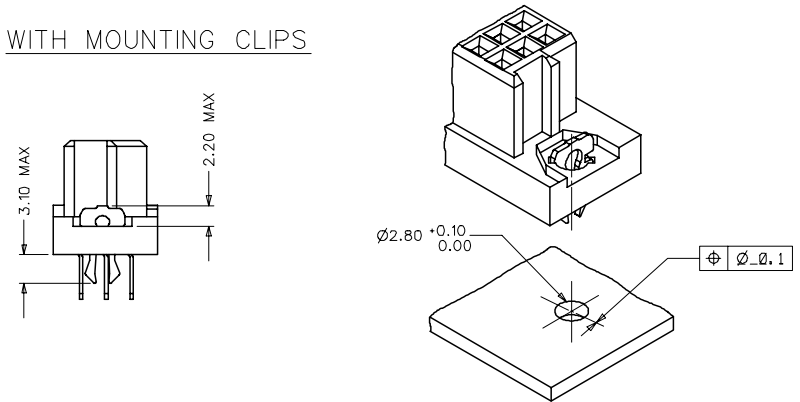
PLEASE CHECK WWW.MOLEX.COM FOR LATEST PART INFORMATION



RECOMMENDED PCB LAYOUT
COMPONENT SIDE



WITH MOUNTING CLIPS



NOTES:

- MATERIALS: THERMOPLASTIC POLYESTER, GLASS FILLED, UL94V-0, COLOUR: PEBBLE GREY RAL 7032
TERMINAL - PHOSPHOR BRONZE
MOUNTING CLIP: STEEL
- FINISH: TERMINAL:-
CONTACT AREA:
1. PERFORMANCE LEVEL 1: SELECTIVE GOLD (Au), THICKNESS = 1.1 MICROMETER OVER NICKEL, THICKNESS = 1.5 MICROMETER
2. PERFORMANCE LEVEL 2: SELECTIVE GOLD (Au), THICKNESS = 0.6 MICROMETER OVER NICKEL, THICKNESS = 1.5 MICROMETER
3. PERFORMANCE LEVEL 3: SELECTIVE GOLD (Au), THICKNESS = 0.3 MICROMETER OVER NICKEL, THICKNESS = 1.5 MICROMETER
TERMINATION AREA:
SELECTIVE TIN, THICKNESS = 5 MICROMETER
OVER NICKEL, THICKNESS = 1.5 MICROMETER OVERALL
- MOUNTING CLIP:-
TIN (Sn), THICKNESS = 5-10 MICROMETER,
OVER NICKEL (Ni), THICKNESS = 2.5 MICROMETER
- FOR NON MOUNTING CLIP OPTION, CONNECTOR TO BE SECURED WITH RIVETS: 2 TUBULAR RIVETS 2.5 x 0.3 ... DIN 7340
SCREWS: 2 CHEESEHEAD SCREWS M2.5 x ... DIN 84 AND 2 HEXAGONAL NUTS M2.5 DIN 934
- MATERIAL No, BATCH CODE, UL AND CSA MARKING TO BE PRINTED ON THE CONNECTOR.
- CUT FACES OF TIP WITHOUT PLATING PERMITTED.
- PRODUCT SPECIFICATION PS:36500-001

RoHS COMPLIANT

| | | | | | | | | |
|--|-------------------------------|---------------------------------------|----|-----------------------------|---------------------|------------------------------|---|------------------------|
| ENTER DESCRIPTION E.C.N.C. 12007 2004 DRAWING APPROVED 2006/10/10 CHECKED BY SUDHIR 2006/10/11 APPROVED BY SUDHIR 2006/10/15 | QUALITY SYMBOLS ▽=0 ▽=0 | GENERAL TOLERANCES (UNLESS SPECIFIED) | | DIMENSION STYLE MM ONLY | | SCALE 2:1 | DESIGN UNITS METRIC | THIRD ANGLE PROJECTION |
| | | 4 PLACES ± | mm | INCH | DRAWN BY SUDHIR | DATE 2000/09/22 | TITLE ASSEMBLY DIN 41612 C FEMALE 96 POS 1.0MM PCB DIA | |
| REV C1 | DESCRIPTION | 3 PLACES ±0.05 | ± | --- | CHECKED BY G.L. | DATE 2000/09/22 | MOLEX INCORPORATED | SHEET NO. 1 OF 2 |
| | | 2 PLACES ±0.1 | ± | --- | APPROVED BY G.L. | DATE 2000/09/22 | | |
| DRAFT WHERE APPLICABLE MUST REMAIN WITHIN DIMENSIONS | | ANGULAR ± 2° | | MATERIAL NO. SEE SHEET 2 | | DOCUMENT NO. SD-36500-001 | | |
| SIZE 1 THIS DRAWING CONTAINS INFORMATION THAT IS PROPRIETARY TO MOLEX INCORPORATED AND SHOULD NOT BE USED WITHOUT WRITTEN PERMISSION | | | | | | | | |

| | 20 | 19 | 18 | 17 | 16 | 15 | 14 | 13 | 12 | 11 | 10 | 9 | 8 | 7 | 6 | 5 | 4 | 3 | 2 | 1 | |
|--|-------------|-------------------|------------|---------|----------------------|------------|---------------|------------|----|----|----|---|---|---|---|---|---|---|---|---|--|
| | MATERIAL No | MOLEX ENG No | PERF LEVEL | PLATING | CONTACT SEQUENCE/ROW | DIM "L" mm | MOUNTING CLIP | FLUX PROOF | | | | | | | | | | | | | |
| | 36500-0001 | MM-B2401-C960 | 1 | Au+Ni | 1.2.3....32 a+b+c | 2.9 | NO | NO | | | | | | | | | | | | | |
| | 36500-0002 | MM-B2501-C960 | 2 | Au+Ni | 1.2.3....32 a+b+c | 2.9 | NO | NO | | | | | | | | | | | | | |
| | 36500-0003 | MM-B2601-C960 | 3 | Au+Ni | 1.2.3....32 a+b+c | 2.9 | NO | NO | | | | | | | | | | | | | |
| | 36500-0007 | MM-B2401-C910 | 1 | Au+Ni | 1.2.3....32 a+b+c | 2.9 | YES | NO | | | | | | | | | | | | | |
| | 36500-0008 | MM-B2501-C910 | 2 | Au+Ni | 1.2.3....32 a+b+c | 2.9 | YES | NO | | | | | | | | | | | | | |
| | 36500-0009 | MM-B2601-C910 | 3 | Au+Ni | 1.2.3....32 a+b+c | 2.9 | YES | NO | | | | | | | | | | | | | |
| | 36500-0013 | MM-B2401-C960-133 | 1 | Au+Ni | 1.2.3....32 a+b+c | 2.9 | NO | YES | | | | | | | | | | | | | |
| | 36500-0014 | MM-B2501-C960-133 | 2 | Au+Ni | 1.2.3....32 a+b+c | 2.9 | NO | YES | | | | | | | | | | | | | |
| | 36500-0015 | MM-B2601-C960-133 | 3 | Au+Ni | 1.2.3....32 a+b+c | 2.9 | NO | YES | | | | | | | | | | | | | |
| | 36500-0019 | MM-B2401-C910-133 | 1 | Au+Ni | 1.2.3....32 a+b+c | 2.9 | YES | YES | | | | | | | | | | | | | |
| | 36500-0020 | MM-B2501-C910-133 | 2 | Au+Ni | 1.2.3....32 a+b+c | 2.9 | YES | YES | | | | | | | | | | | | | |
| | 36500-0021 | MM-B2601-C910-133 | 3 | Au+Ni | 1.2.3....32 a+b+c | 2.9 | YES | YES | | | | | | | | | | | | | |
| | 36500-0025 | MM-B2402-C960 | 1 | Au+Ni | 1.2.3....32 a+b+c | 4.5 | NO | NO | | | | | | | | | | | | | |
| | 36500-0026 | MM-B2502-C960 | 2 | Au+Ni | 1.2.3....32 a+b+c | 4.5 | NO | NO | | | | | | | | | | | | | |
| | 36500-0027 | MM-B2602-C960 | 3 | Au+Ni | 1.2.3....32 a+b+c | 4.5 | NO | NO | | | | | | | | | | | | | |
| | 36500-0031 | MM-B2402-C910 | 1 | Au+Ni | 1.2.3....32 a+b+c | 4.5 | YES | NO | | | | | | | | | | | | | |
| | 36500-0032 | MM-B2502-C910 | 2 | Au+Ni | 1.2.3....32 a+b+c | 4.5 | YES | NO | | | | | | | | | | | | | |
| | 36500-0033 | MM-B2602-C910 | 3 | Au+Ni | 1.2.3....32 a+b+c | 4.5 | YES | NO | | | | | | | | | | | | | |
| | 36500-0037 | MM-B2402-C960-133 | 1 | Au+Ni | 1.2.3....32 a+b+c | 4.5 | NO | YES | | | | | | | | | | | | | |
| | 36500-0038 | MM-B2502-C960-133 | 2 | Au+Ni | 1.2.3....32 a+b+c | 4.5 | NO | YES | | | | | | | | | | | | | |
| | 36500-0039 | MM-B2602-C960-133 | 3 | Au+Ni | 1.2.3....32 a+b+c | 4.5 | NO | YES | | | | | | | | | | | | | |
| | 36500-0043 | MM-B2402-C910-133 | 1 | Au+Ni | 1.2.3....32 a+b+c | 4.5 | YES | YES | | | | | | | | | | | | | |
| | 36500-0044 | MM-B2502-C910-133 | 2 | Au+Ni | 1.2.3....32 a+b+c | 4.5 | YES | YES | | | | | | | | | | | | | |
| | 36500-0045 | MM-B2602-C910-133 | 3 | Au+Ni | 1.2.3....32 a+b+c | 4.5 | YES | YES | | | | | | | | | | | | | |

RoHS COMPLIANT

| | | | | | | | | | |
|---|----------------------------|--|------|--|--------------------|---|-------------------------------|-------------------------------|--|
| ENTER DESCRIPTION ELC.NCL.12007.0044 DRWNGSATTI/MARAD 2006/10/10 CHKD/SSUDHIR 2006/10/11 APPR/SSUDHIR 2006/10/15 | QUALITY SYMBOLS | GENERAL TOLERANCES (UNLESS SPECIFIED) | | DIMENSION STYLE MM ONLY | | SCALE --- | DESIGN UNITS METRIC | THIRD ANGLE PROJECTION | |
| | | 4 PLACES ± 0.15 ± --- | INCH | DRAWN BY SSUDHIR | DATE 2000/09/22 | TITLE ASSEMBLY DIN 41612 C FEMALE 96 POS 1.0MM PCB DIA | | | |
| | | 3 PLACES ± 0.05 ± --- | mm | CHECKED BY G.L. | DATE 2000/09/22 | MATERIAL NO. SEE CHART | | | |
| | | 2 PLACES ± 0.1 ± --- | mm | APPROVED BY G.L. | DATE 2000/09/22 | DOCUMENT NO. SD-36500-001 | | | |
| 1 PLACE ± 0.15 ± --- | mm | ANGULAR ± 2° | | DRAFT WHERE APPLICABLE MUST REMAIN WITHIN DIMENSIONS | | THIS DRAWING CONTAINS INFORMATION THAT IS PROPRIETARY TO MOLEX INCORPORATED AND SHOULD NOT BE USED WITHOUT WRITTEN PERMISSION | | SHEET NO. 2 OF 2 | |