

**PLEASE CHECK WWW.MOLEX.COM FOR LATEST PART INFORMATION**

**Part Number:** **0191640015**  
**Status:** **Active**  
**Description:** Perma-Seal™ Male Quick Disconnect Tab for 18-22 AWG Wire, Tab Size 6.35mm (.250") x .81mm (.032")

**Documents:**

[Drawing \(PDF\)](#) [RoHS Certificate of Compliance \(PDF\)](#)

**Agency Certification**

CSA LR18689  
 UL E79133

**General**

Product Family Quick Disconnects  
 Series 19164  
 Crimp Quality Equipment Yes  
 Product Name Perma-Seal™  
 Type Quick Disconnect

**Physical**

Barrel Type Closed  
 Color - Resin Natural  
 Flammability 94V-0  
 Gender Male  
 Glow-Wire Compliant No  
 Insulation NiAc™  
 Lock to Mating Part None  
 Material - Metal Brass  
 Material - Plating Mating Zinc Chromate  
 Material - Plating Termination Zinc Chromate  
 Material - Resin Nylon  
 Orientation Straight  
 Packaging Type Bag  
 Plating min: Mating (µin) 200  
 Plating min: Mating (µm) 5  
 Plating min: Termination (µin) 200  
 Plating min: Termination (µm) 5  
 Tab Thickness 0.81mm (.032")  
 Tab Width 6.35mm (.250")  
 Temperature Range - Operating -55°C to +125°C  
 Wire Insulation Diameter 3.81mm (.150") max.  
 Wire Size AWG 18, 20, 22  
 Wire Size mm² 0.25 - 1.50

**Electrical**

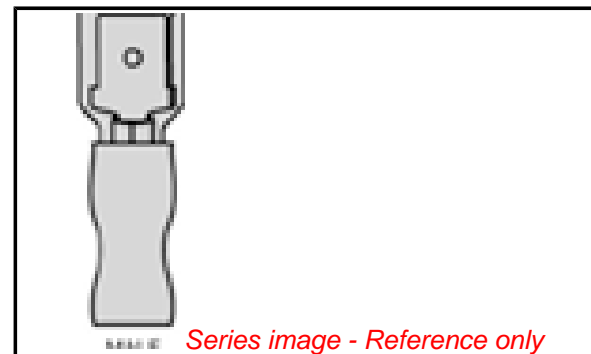
Voltage - Maximum 600V

**Material Info**

Old Part Number SAA-9260

**Reference - Drawing Numbers**

Sales Drawing SD-19164-039



**EU RoHS**

**ELV and RoHS Compliant**  
**REACH SVHC**  
 Not Reviewed  
**Halogen-Free Status**  
 Not Reviewed

**China RoHS**



**Need more information on product environmental compliance?**

Email [productcompliance@molex.com](mailto:productcompliance@molex.com)  
 For a multiple part number RoHS Certificate of Compliance, [click here](#)

Please visit the [Contact Us](#) section for any non-product compliance questions.

**Search Parts in this Series**

[19164Series](#)

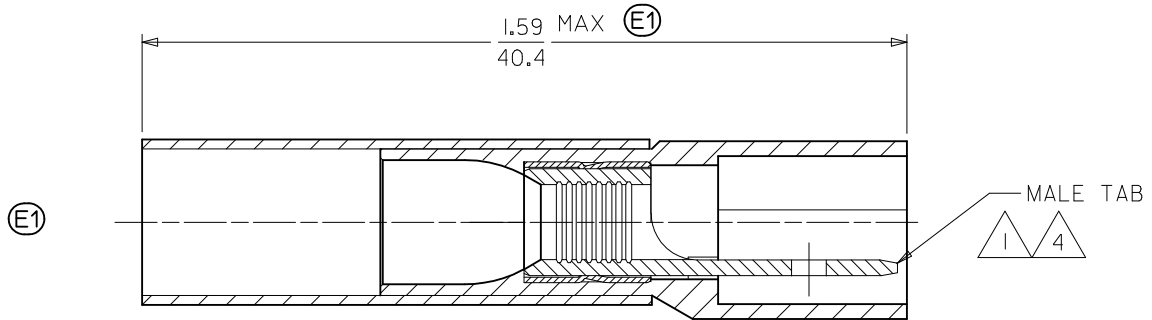
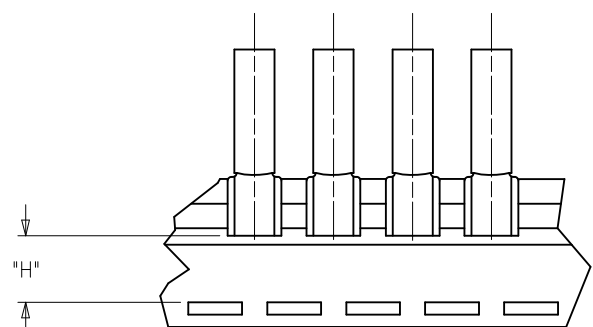
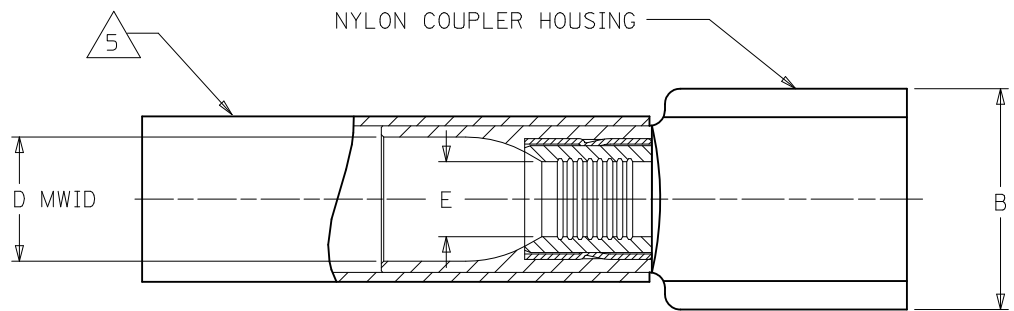
**Application Tooling | FAQ**

*Tooling specifications and manuals are found by selecting the products below. Crimp Height Specifications are then contained in the Application Tooling Specification document.*

**Global**

| Description                                    | Product #                  |
|--|----------------------------|
| Hand Crimp Tool                                | <a href="#">0640014500</a> |
| Hand Crimp Tool                                | <a href="#">0640014700</a> |
| Crimp Head for the AT-200™ Pneumatic Hand Tool | <a href="#">0640054500</a> |
| Crimp Head for the AT-200™ Pneumatic Hand Tool | <a href="#">0640054700</a> |

| MATERIAL NUMBER | ENG. NUMBER | TAPE MATERIAL NUMBER | TAPE ENG NUMBER | WIRE SIZE AWG | WIRE SIZE MM SQ. | NYLON COLOR | B MAX.   | D (E1) MWID | E MIN. DIA. | F MAX. DIA. | H (E1) NOMINAL |
|-----------------|-------------|----------------------|-----------------|---------------|------------------|-------------|----------|-------------|-------------|-------------|----------------|
| 191640015       | SAA-9260    | 191640016            | SAA-9260T       | 22-18         | .25-1.5          | RED         | .45/11.4 | .17/4.3     | .049/1.25   | .29/7.4     | .47/12.0       |
| 191640048       | SBB-9262    | 191640049            | SBB-9262T       | 16-14         | 1.0-2.5          | BLUE        | .45/11.4 | .18 /4.5    | .082/2.08   | .31/7.9     | .47/12.0       |
| 191640075       | SC-9280     | N/A                  | N/A             | 12-10         | 4.0-6.0          | YELLOW      | .46/11.7 | .23/5.8     | .148/3.76   | .39/9.9     | N/A            |



- NOTES:
- (E1) 1. MALE TAB CONFORMS TO UL310.
  - 2. ALL DIMENSIONS SHOWN ARE BEFORE SHRINK TUBING IS HEATED.
  - 3. "MWID" DENOTES MAX. WIRE INSULATION DIA.
  - (E1) 4. TAB MATERIAL: COPPER ALLOY, PLATING: TIN
  - (E1) 5. NYLON HEAT SHRINKABLE TUBING WITH HOTMELT INNER LINER. SEE CHART FOR COLOR.
  - (E1) 6. ALL PARTS ARE ROHS COMPLIANT.

SALES DRAWING

|   |                      |   |                 |       |              |                                      |  |
|---|----------------------|---|-----------------|-------|--------------|--------------------------------------|--|
| CORRECT SPECS<br>EC NO: WNA2010-015<br>DRW: NETHRODAHL 2010/02/16<br>CHKD: JMACNEIL 2010/02/18<br>APPR: JMACNEIL 2010/02/22 | QUALITY SYMBOLS      | GENERAL TOLERANCES (UNLESS SPECIFIED)   | DIMENSION STYLE | SCALE | DESIGN UNITS | THIRD ANGLE PROJECTION               |  |
|   | ▽=0                  | mm INCH   | IN/MM           | ---   | INCH         |                                      |  |
|   | ▽=0                  | 4 PLACES ± --- ± ---  | DRAWN BY DATE   |       |              | TITLE                                |  |
|   |                      | 3 PLACES ± --- ± ---  | BRE 2002/10/25  |       |              | PERMA-SEAL COUPLER MALE TAB TERMINAL |  |
|   | 2 PLACES ± --- ± --- | CHECKED BY DATE   |                 |       |              |                                      |  |
|   | 1 PLACE ± --- ± ---  | HEB 2002/10/25  |                 |       |              |                                      |  |
|   | ANGULAR ± ---°       | APPROVED BY DATE  |                 |       |              |                                      |  |
|   |                      | RWD 2002/10/25  |                 |       |              |                                      |  |
|   |                      | MATERIAL NO.  |                 |       |              |                                      |  |
|   |                      | SEE CHART   |                 |       |              |                                      |  |
|   |                      | SIZE B  |                 |       |              |                                      |  |
|   |                      | THIS DRAWING CONTAINS INFORMATION THAT IS PROPRIETARY TO MOLEX INCORPORATED AND SHOULD NOT BE USED WITHOUT WRITTEN PERMISSION |                 |       |              |                                      |  |