

PLEASE CHECK WWW.MOLEX.COM FOR LATEST PART INFORMATION

Part Number: **0191640011**
Status: **Active**
Description: Perma-Seal™ 3-Way Connector Assembly for 18-22 AWG Wire

Documents:

[Drawing \(PDF\)](#) [RoHS Certificate of Compliance \(PDF\)](#)

General

Product Family	Splices
Series	19164
Crimp Quality Equipment	Yes
Mil-Spec	N/A
Product Name	3 Way, Perma-Seal™

Physical

Barrel Type	Closed
Insulation	NiAc™
Material - Metal	Copper
Packaging Type	Bag
Temperature Range - Operating	-55°C to +125°C
Termination Interface: Style	Crimp or Compression
Wire Insulation Diameter	5.46mm (.215") max
Wire Size AWG	18, 20, 22
Wire Size mm²	0.38 - 0.96

Electrical

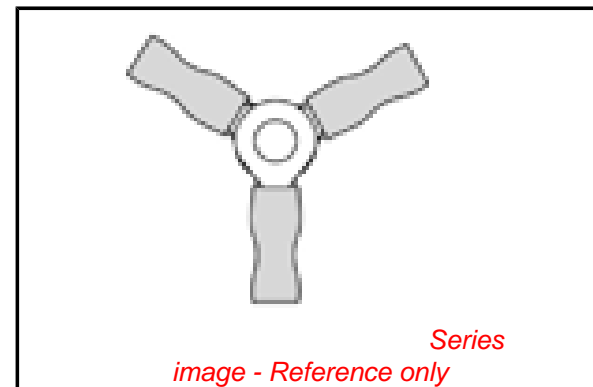
Voltage - Maximum	600V
-------------------	------

Material Info

Old Part Number	SA-2YCX
-----------------	---------

Reference - Drawing Numbers

Sales Drawing	SD-19164-051, SD-19204-001
---------------	----------------------------



EU RoHS

ELV and RoHS Compliant
REACH SVHC
 Not Reviewed
Halogen-Free Status
 Not Reviewed

China RoHS



Need more information on product environmental compliance?

Email productcompliance@molex.com
 For a multiple part number RoHS Certificate of Compliance, [click here](#)

Please visit the [Contact Us](#) section for any non-product compliance questions.

Search Parts in this Series

19164Series

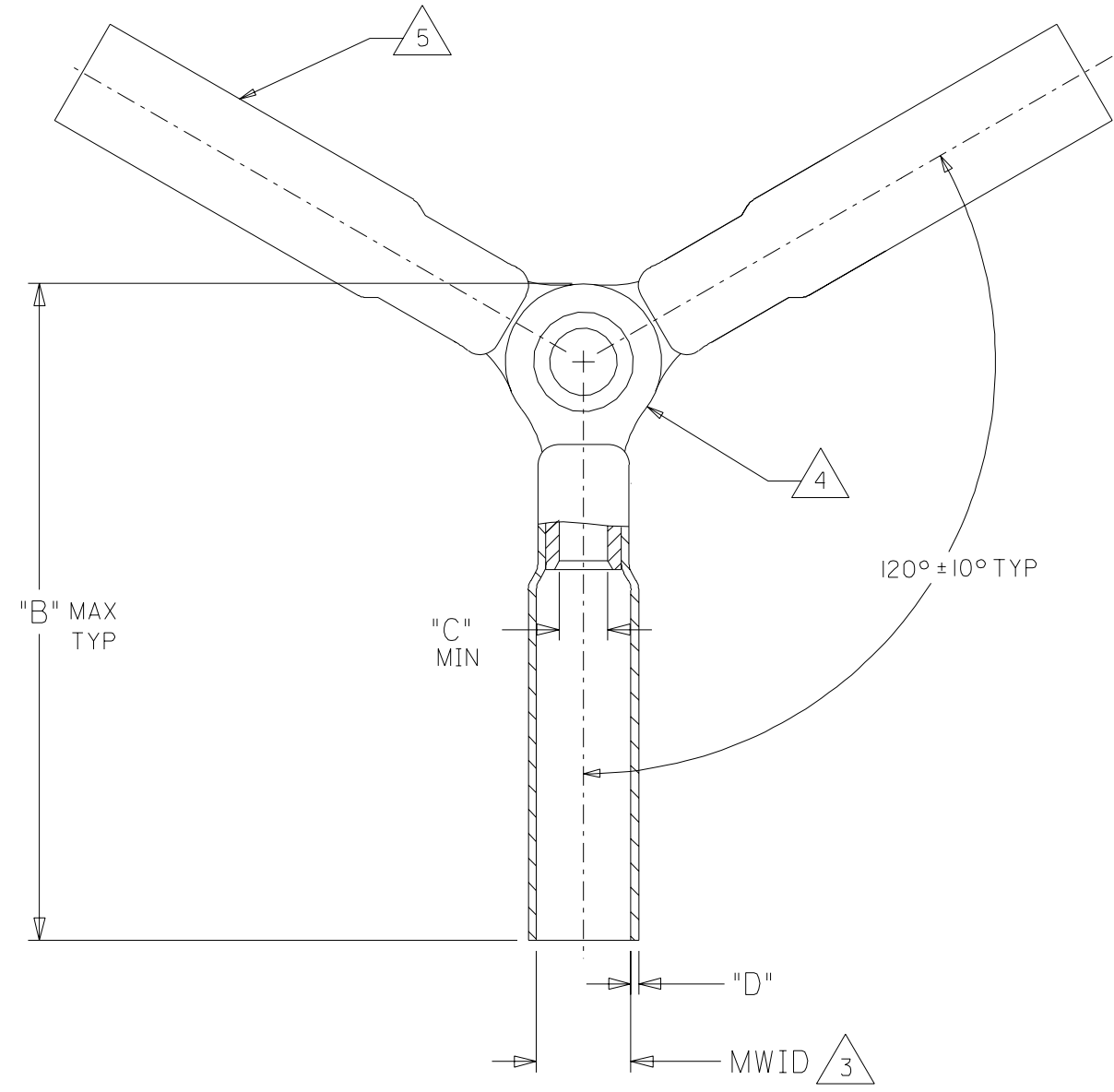
Application Tooling | FAQ

Tooling specifications and manuals are found by selecting the products below. Crimp Height Specifications are then contained in the Application Tooling Specification document.

Global

Description	Product #
Power Crimp Tool Head for Prema-Seal™ Terminals 10-22 AWG	0640057400
Hand Crimp Tool, UL Approved	0640017400

MATERIAL NUMBER	ENGINEERING NUMBER	WIRE SIZE AWG	WIRE SIZE MM SQ.	PERMA-SEAL COLOR	MWID	B MAX	C MIN	D
191640011	SA-2YCX	22-18	.25-1.5	RED	.215/5.46	1.25/31.8	.62/1.57	.025/0.64
191640042	SB-2YCX	16-14	1.0-2.5	BLUE	.235/5.97	1.24/31.5	1.24/31.5	.029/0.74
191640074	SC-2YCX	12-10	4.0-6.0	YELLOW	.310/7.62	1.34/34.0	.128/3.25	.029/0.74

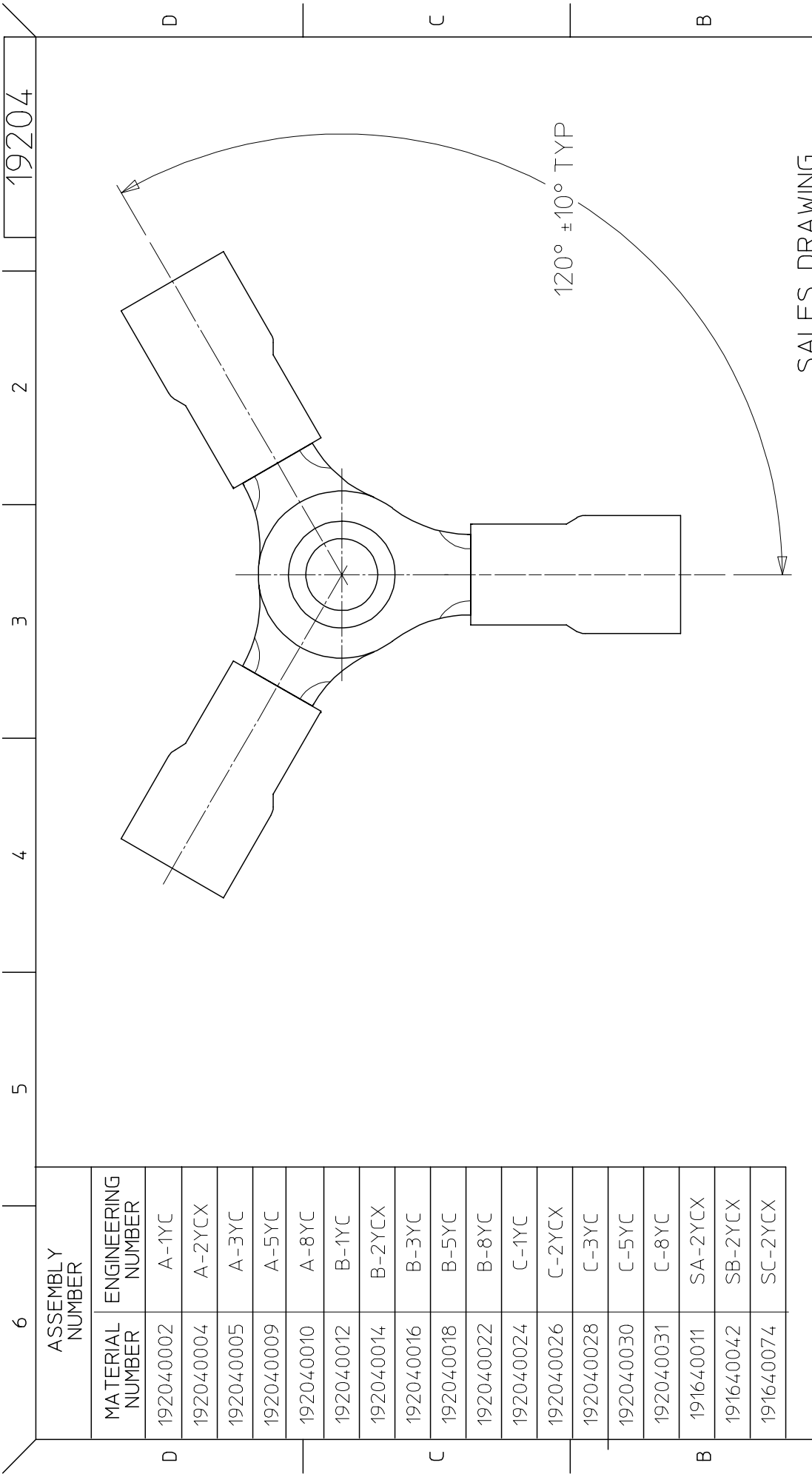


NOTES;

1. CONNECTION BETWEEN TERMINALS TO BE TIGHT.
2. RIVET NOT TO BE SPLIT.
3. MWID = MAXIMUM WIRE INSULATION DIAMETER.
4. TERMINAL MATERIAL: COPPER ALLOY.
5. INSULATION MATERIAL: HEAT SHRINKABLE TUBING WITH HOTMELT ADHESIVE INNER LINER. COLOR SEE CHART.

SALES DRAWING

NEW RELEASE EC NO. ETC2003-0136 DRWN: BRE 03/03/20 CHK: HEB 03/03/20 APPR: RWD 03/03/20	QUALITY SYMBOLS MAJOR = 0 CRITICAL = 0	GENERAL TOLERANCES: (UNLESS SPECIFIED)		SCALE NO: NE	DESIGN UNITS <input type="checkbox"/> mm <input checked="" type="checkbox"/> INCH	THIRD ANGLE PROJECTION	DIMENSIONS: <input type="checkbox"/> mm <input checked="" type="checkbox"/> INCH <input type="checkbox"/> mm ONLY	SHT	REV
		4 PLACES ±0.	±.	±.	DRAWN BY & DATE BRE 02/11/15	TITLE: 3-WAY NIAC CONNECTOR ASSEMBLY			
A	REV	3 PLACES ±0.	±.	±.	CHECKED BY & DATE HEB 02/11/15	MOLEX INCORPORATED			
		2 PLACES ±0.	±.	±.	APPROVED BY & DATE RWD 15/11/15	MATERIAL NO. SEE CHART	DRAWING NO. SD-19164-051	SHEET NO. 1 OF 1	
		1 PLACE ±0.	±.	±.	CAD FILENAME E-19164-051 .DGN	THIS DRAWING CONTAINS INFORMATION THAT IS PROPRIETARY TO MOLEX INCORPORATED AND SHOULD NOT BE USED WITHOUT WRITTEN PERMISSION.		SIZE B	



SALES DRAWING

19204

2

3

4

5

6

ASSEMBLY NUMBER	
MATERIAL NUMBER	ENGINEERING NUMBER
192040002	A-1YC
192040004	A-2YCX
192040005	A-3YC
192040009	A-5YC
192040010	A-8YC
192040012	B-1YC
192040014	B-2YCX
192040016	B-3YC
192040018	B-5YC
192040022	B-8YC
192040024	C-1YC
192040026	C-2YCX
192040028	C-3YC
192040030	C-5YC
192040031	C-8YC
191640011	SA-2YCX
191640042	SB-2YCX
191640074	SC-2YCX

WAS 65252-01C/-02C	EC NO: ETIC2003-0305	DRWN:DMYRCK 2003/05/16	CHKD:RWD 2003/05/16	APPR:RDEROSS 2003/05/16	DESCRIPTION	REV
QUALITY SYMBOLS		GENERAL TOLERANCES (UNLESS SPECIFIED)		SCALE	DESIGN UNITS	THIRD ANGLE PROJECTION
▲ - 0	△ - 0	mm	INCH	NTS	INCH	REVISE ON CAD ONLY
		4 PLACES ± ---	± ---	DIMENSION STYLE		TITLE
		3 PLACES ± ---	± .005	IN/MM		3-WAY CONNECTOR ASSEMBLY
		2 PLACES ± 0.13	± .01	DRAWN BY	DATE	
		1 PLACE ± 0.25	± ---	RWD	03/05/14	
		ANGULAR ± 1/2°		CHECKED BY	DATE	
		DRAFT WHERE APPLICABLE		RWD	03/05/14	
		MUST REMAIN WITHIN DIMENSIONS		APPROVED BY	DATE	
				RWD	03/05/14	
				MATERIAL NO.		DOCUMENT NO.
				MOLEX INCORPORATED		MOLEX INCORPORATED
				(SEE CHART) SD-19204-001		SHEET NO.
						1 OF 1
THIS DRAWING CONTAINS INFORMATION THAT IS PROPRIETARY TO MOLEX INCORPORATED AND SHOULD NOT BE USED WITHOUT WRITTEN PERMISSION						