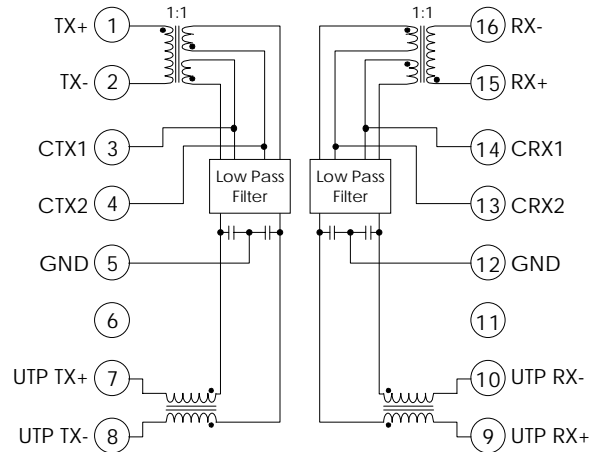
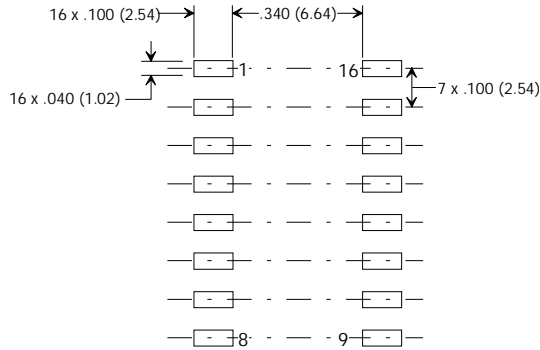
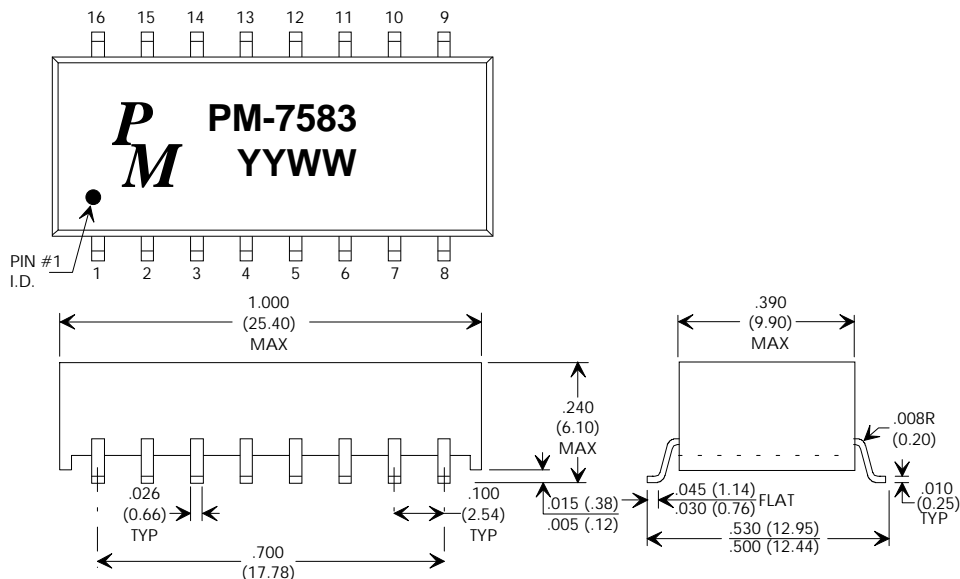


25.6 MBPS ATM FILTERS MODULES & SMD ISOLATION TRANSFORMERS

- ① Designed to meet ATM 25.6 PHY specifications.
- ② Designed to Support the SEEQ 93C95 PHY Interface.
- ③ Provides the Cable Isolation & Impedance Matching for 100 Ohm UTP Applications
- ④ Surface Mount Package.

PART NUMBER	Return Loss (dB Min)		Comm-Comm Rejection (dB Min)			Insertion Loss (dB)					Cross Talk (dB Min)			HI-POT (Vrms Min)
	1-17MHz	17-25MHz	5MHz	20MHz	200MHz	12KHz MAX	4MHz MAX	16MHz MAX	24MHz MAX	36MHz MIN	5MHz	16MHz	24MHz	
PM-7583	-16	-9	-20	-25	-20	-3.0	-0.6	-1.0	-1.8	-10	-50	-50	-46	600

PM-7583 MECHANICAL
PM-7583 SCHEMATIC
RECOMMENDED P.C.B. LAYOUT
 Dimensions in inches (mm)

PHYSICAL DIMENSIONS IN INCHES (mm)

 PM-7583
 100BASE-TX MAGNETICS

- ① Designed to meet ATM 25.6 PHY specifications.
- ② Designed to Support the SEEQ 93C95 PHY Interface.
- ③ Provides the Cable Isolation & Impedance Matching for 100 Ohm UTP Applications
- ④ Surface Mount Package.

ELECTRICAL SPECIFICATIONS AT 25°C - OPERATING TEMPERATURE RANGE 0°C TO 70°C

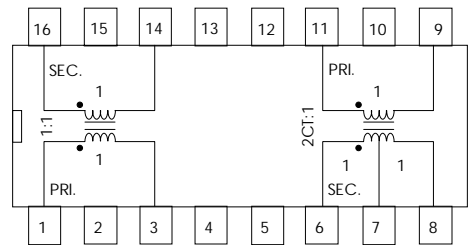
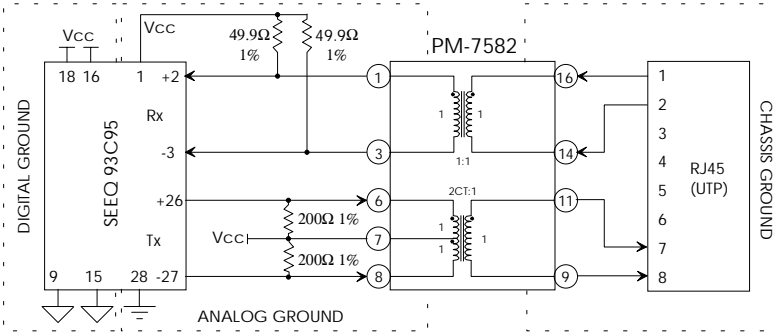
PART NUMBER	TRANSMIT TURNS RATIO (1-3 : 16-14)	RECEIVE TURNS RATIO (11-9 : 6-8)	PRIMARY OCL (μH Min.)	Interwinding Capacitance Cw/w (pF Max.)	Leakage Inductance Llk (μH Max.)	DC Resistance DCR (Ohms Max.)	HI-POT (Vrms Min)
PM-7582	1 : 1	1 : 2CT	3000	55	1.6	1.30	1500

APPLICATIONS

SCHEMATIC

TYPICAL APPLICATION CIRCUIT

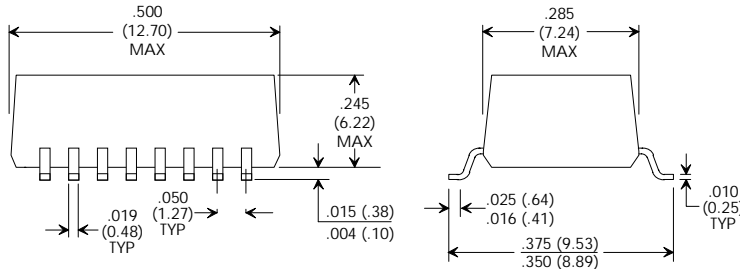
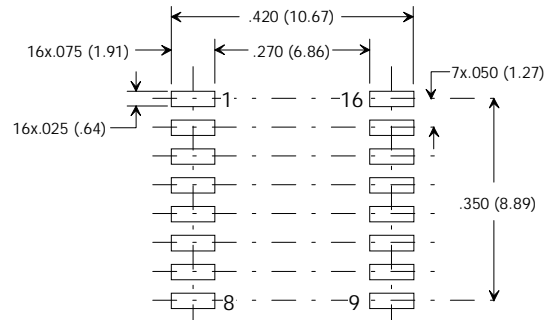
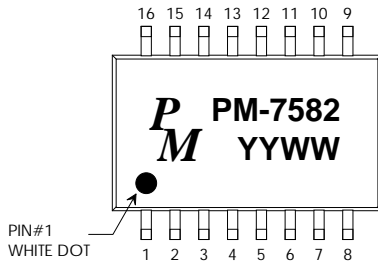
SCHEMATIC DIAGRAM



DIMENSIONS

PHYSICAL DIMENSIONS IN INCHES (mm)

**RECOMMENDED P.C.B. LAYOUT
Dimensions in inches (mm)**



Specifications subject to change without notice.

pm-758x 7/98