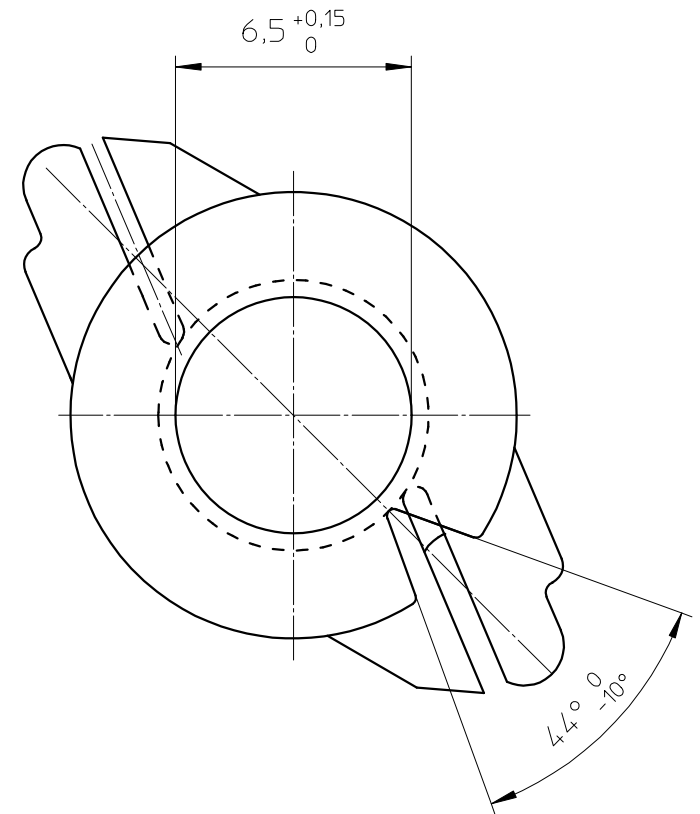
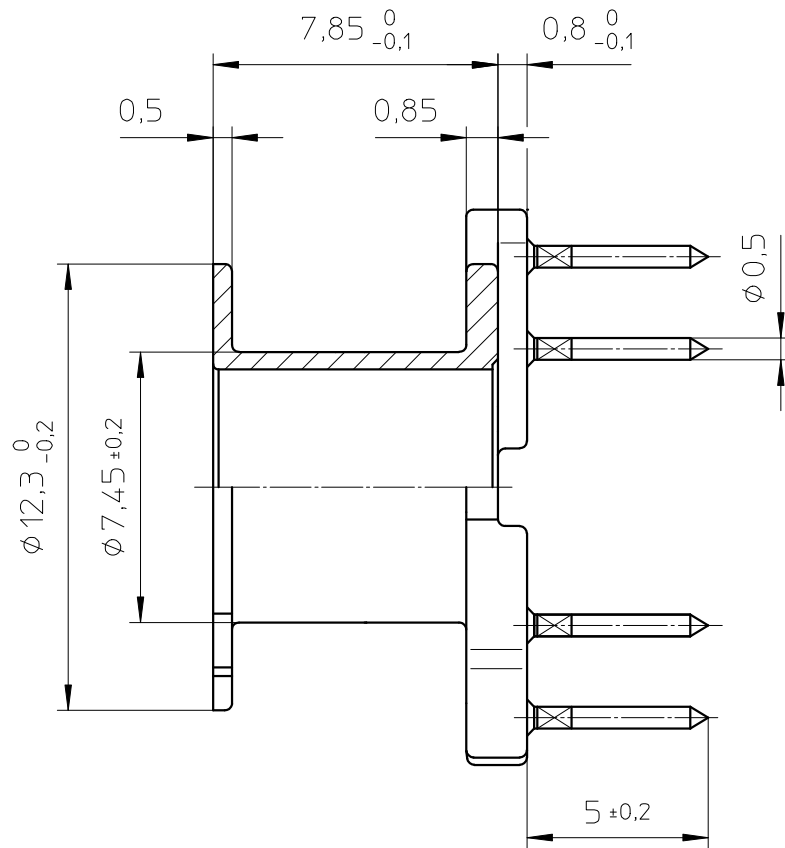
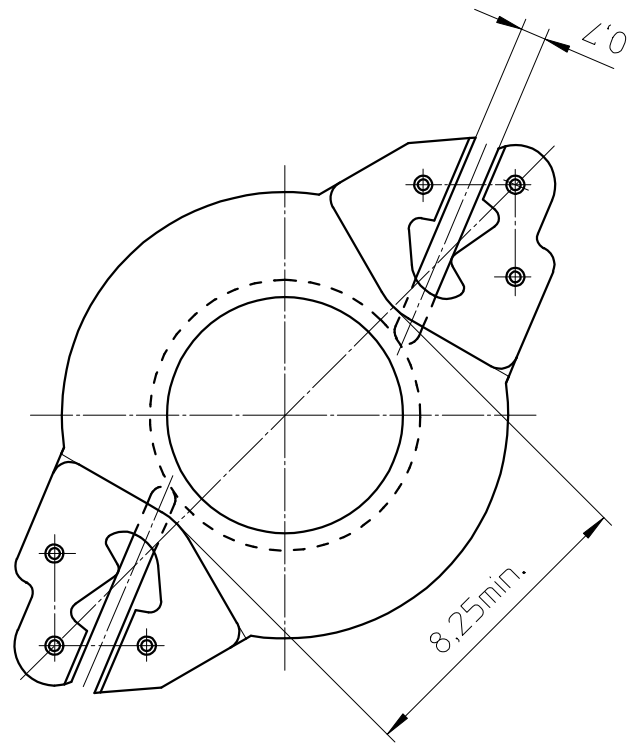
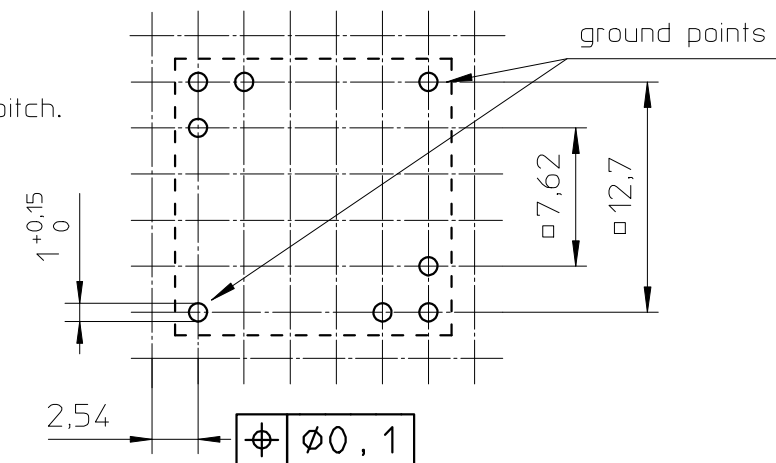


FERROXCUBE



HOLE PATTERN:

Space requirement 6x6 pitch.



Coil former material: Bakelite UP 3420 (UP), glass-reinforced.
 UL file number: E61040 - UL94V-0.
 Pin material: CuSn - Ni flash, Sn plated.
 Max. operating temp.: acc. to IEC 60 085 class H, 180°C.
 Resistance to soldering heat: acc. to IEC 60 068-2-20 Part 2, Test Tb, method 1B, 350°C - 3,5sec.
 Solderability: acc. to IEC 60 068-2-20 Part 2, Test Ta, method 1, 235°C - 2sec.
 Min. winding area: 15 mm².
 Mean length of turn: 30 mm.

CLASS.NO.	00-04-28		00-04-28
	CSV-RM6S-1S-6P-G		4322 021 00991
00-04-28			00-08-01
			02-04-04
			03-06-30
			05-09-01
NAME NAAM	M.Veekens	SUPERS. VERV.	1 SH SH 112 - 001 010
MPA	CHECK CONTR.	DAT.	94-06-17
		Property of Eigendom van	© FERROXCUBE 2000
			A3