

# ARK-6310-3M01E

# ARK-6310-3M02E

## Fanless Mini-ITX Embedded Computer System



### Features

- Ultra compact and robust construction without fan
- Built-in Intel® LV Pentium® M 1.4 GHz/ULV Celeron® 600 MHz CPU
- One shock-resistant disk drive bay for one 2.5" hard disk
- One internal 32-bit/33 MHz Mini-PCI slot
- Bottom cover gives access to Mini-PCI and CompactFlash socket on the solder side of the motherboard
- Front I/O with extra cutouts for 2 x COM, 1 x DVI/LVDS, and 1 x S/C-Video
- Optional VESA mounting kit
- Optional WLAN 802.11 b/g module



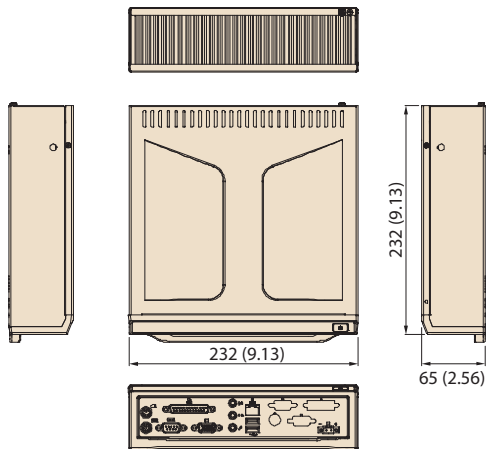
### Specifications

Model	ARK-6310-3M01E	ARK-6310-3M02E	
Processor System	CPU	Intel LV Pentium M 1.4 GHz	Intel ULV Celeron 600 MHz
	Front Side Bus	400 MHz	400 MHz
	L2 Cache	2 MB	512 KB
	Chipset	Intel 82855GME + ICH4	Intel 82852GM + ICH4
	BIOS	Award 4 Mbit FWH	Award 4 Mbit FWH
Memory	Technology	DDR 266/333 SDRAM (ECC/Non-ECC support)	DDR 200/266 SDRAM
	Max. Capacity	1 GB	
Graphics	Controller	Intel chipset integrated	
	VRAM	Share system memory up to 64 MB video memory	
	LVDS	Single channel 18-bit/Dual-channel 36-bit LVDS	
	TV-Out	Supports both S-video and composite video	
		Chrontel CH7009A TV encoder supports both NTSC/PAL	
	DVI	Chrontel CH7009A DVI transmitter up to 135M pixel/second	
Ethernet	Dual Display	CRT + LVDS or DVI/TV-out + LVDS or CRT + DVI	
	Interface	10/100/1000 Mbps Gigabit Ethernet	
	Controller	Realtek RTL8110S Gigabit LAN (PCI)	
Watchdog Timer	Connector	1 (RJ45)	
	Output	System reset	
Disk Drive Bay	Interval	Programmable 1 ~ 255 sec.	
	2.5" Internal	1	
I/O Interface	CompactFlash	1	
	Front I/O Ports	1 x VGA, 1 x LAN, 2 x USB, 2 x PS/2 (Mouse & Keyboard), 1 x Parallel, 1 x Serial, 3 x Audio (Mic-in, Line-in, Line-out)	
	Extra Cutouts	2 x COM, 1 x DVI/LVDS, 1 x S/C-Video, 1 x WLAN Antenna	
Expansion Slot	Mini-PCI	1 x 32-bit/33 MHz slot (bottom cover access)	
Miscellaneous	Overheating protection	System shut-down when over-heated	
	LED Indicators	Power, HDD, Temp.	
	Control	Power On/Off switch	
Operating System	Microsoft Windows XP		
Environment	Operating	Non-operating	Temperature
		0 ~ 40° C (32 ~ 104° F)	-20 ~ 60° C (-4 ~ 140° F)
	Humidity	10 ~ 85 % @ 40° C, non-condensing	10 ~ 95 % @ 40° C, non-condensing
	Vibration (4-500 Hz)	1 Grms	2 G
Power Supply	Altitude	0 to 3,048 m (0 ~ 10,000 ft)	
	Output Rating	75 W	
	Input Voltage	14 V <sub>DC</sub> ~ 24 V <sub>DC</sub> @ 6.4 A ~ 3.75 A (Max.); 19 V <sub>DC</sub> @ 4.74 A (Max.)	
Physical Characteristics	Output	+5 V with +5 Vsb @ 6 A (+5 Vsb max. 2 A) +3.3 V @ 5 A, +12 V @ 2 A, -12 V @ 0.3 A, -5 V @ 0.3 A	
	Dimensions (W x H x D)	232 x 65 x 232 mm (9.1" x 2.6" x 9.1")	
	Weight	2.7 kg (6.0 lb)	

# ARK-6310-3M01E ARK-6310-3M02E

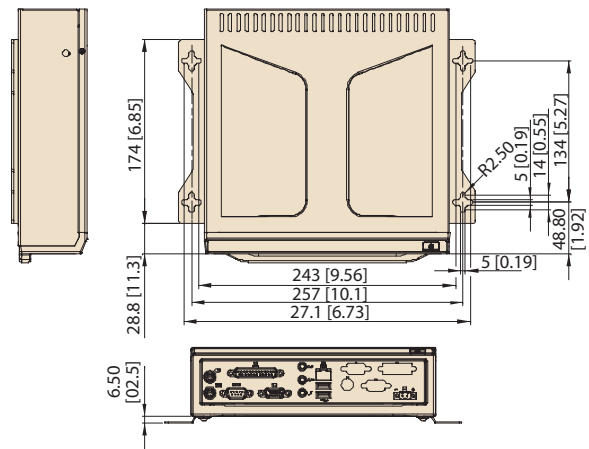
## Dimensions

Unit: mm (inch)



## Installation

Unit: mm (inch)



## System Ordering Information

Part Number	CPU	CRT	G-LAN	USB 2.0	COM	LPT	KB/MS	Audio
ARK-6310-3M01E	LV PM 1.4 GHz	Yes	1	2	3	1	Yes	Yes
ARK-6310-3M02E	ULV CM 600 MHz	Yes	1	2	3	1	Yes	Yes

Please visit Advantech CTOS portal for order entry.  
<http://www.advantech.com/ctos>

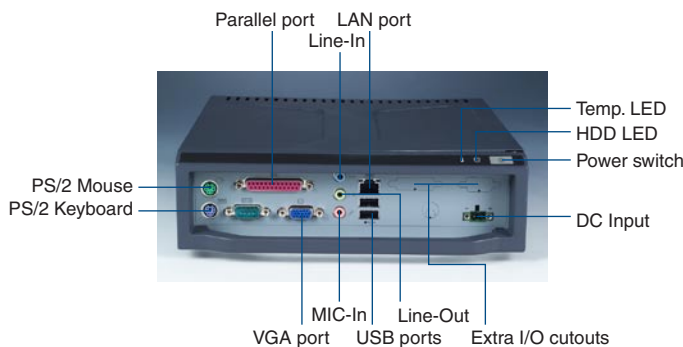
## Accessories

Part Number	Description
1757001377	AC-to-DC adapter, DC 19 V/90 W with Phoenix power plug
1700003434	TV-out cable
1700003435	DVI cable
9652631001	4 x USB Cable Kit for ARK-6310
989K008732	VESA Mounting Plate for ARK-6620/6310
ARK-WLAN-USBE	ARK-6 series Wireless LAN 802.11 b/g module

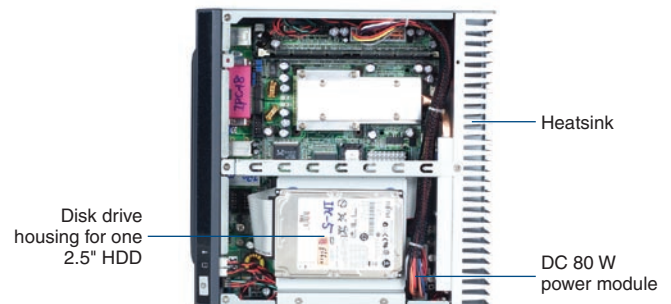
## Power Cord Options

Part Number	Description
1700001947	Power Cable 2-pin 180 cm, USA
1700001948	Power Cable 2-pin 180 cm, Europe
1700001949	Power Cable 2-pin 180 cm, UK
1700002141	Power Cable 2-pin 180 cm, Japan

## Front view



## Inside view



## Rear View

