

PLEASE CHECK WWW.MOLEX.COM FOR LATEST PART INFORMATION

Part Number: [0561934028](#)
Status: **Active**
Description: Compact Robot Connector Power Crimp Pin, Lead Free, Chain

Documents:

Drawing (PDF)	Product Specification PS-51300-005 (PDF)
Product Specification PS-51300-001 (PDF)	RoHS Certificate of Compliance (PDF)
Product Specification PS-51300-004 (PDF)	

General

Product Family	Crimp Terminals
Series	56193
Crimp Quality Equipment	Yes
Product Name	Compat

Physical

Gender	Male
Material - Metal	Brass
Material - Plating Mating	Gold over Nickel
Packaging Type	Reel
Termination Interface: Style	Crimp or Compression
Wire Insulation Diameter	N/A
Wire Size AWG	18
Wire Size mm ²	N/A

Material Info

Reference - Drawing Numbers

Application Specification	AS-51300-005
Product Specification	PS-51300-001, PS-51300-004, PS-51300-005
Sales Drawing	SD-56193-003



EU RoHS

**ELV and RoHS
Compliant**
REACH SVHC
 Not Reviewed
**Halogen-Free
Status**
Not Reviewed

China RoHS



**Need more information on product
environmental compliance?**

Email productcompliance@molex.com
 For a multiple part number RoHS Certificate of Compliance, [click here](#)

Please visit the [Contact Us](#) section for any non-product compliance questions.

Search Parts in this Series

[56193Series](#)

Application Tooling | [FAQ](#)

Tooling specifications and manuals are found by selecting the products below. Crimp Height Specifications are then contained in the Application Tooling Specification document.

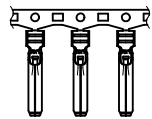
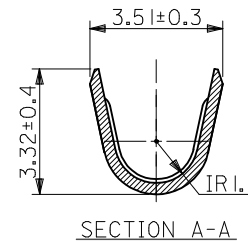
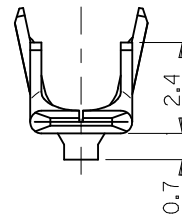
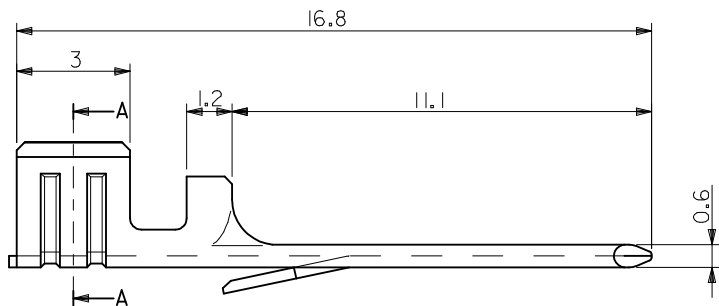
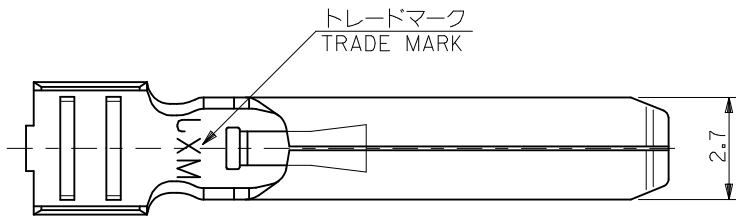
Global

Description	Product #
Hand Tool for CRC™ (Compact Robot Connector), Power Crimp Pin, 14-18 AWG	0638192200
Extraction Tool for Crimp Terminals	0638132800

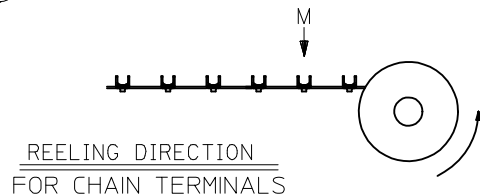
Japan

Description	Product #
Extraction Tool	0574136000

PLEASE CHECK WWW.MOLEX.COM FOR LATEST PART INFORMATION



ⓑ



注記
NOTES

1. 材質
MATERIAL
黄銅 (板厚: 0.3)
BRASS (THICKNESS : 0.3)
2. メッキ仕様
TERMINAL PLATING
接点部 : 金メッキ 0.25 μm MIN.
CONTACT AREA : GOLD 0.25 μm MIN.
圧着部 : 錫メッキ 1.0 μm MIN.
CRIMP AREA : TIN 1.0 μm MIN.
下地メッキ : ニッケルメッキ 2 μm MIN.
UNDER PLATE : NICKEL 2 μm MIN.
3. 適用電線範囲: UL 1015, AWG #18~14
APPLICABLE WIRE RANGE : UL1015, AWG#18~14
4. 被覆外径 : φ3.8 MAX.
INSULATION EXTERNAL DIA : φ3.8 MAX.
5. 適用ハウジング: 55890-****, 55891-****
APPLICABLE HOUSING : 55890-****, 55891-****
6. 適用圧着工具 (手動) : 57413-5300 (適用電線: AWG #16~14)
APPLICABLE CRIMP TOOL (HAND) : 57413-5300 (APPLICABLE WIRE AWG #16~14)
: 57413-5400 (適用電線: AWG #18)
: 57413-5400 (APPLICABLE WIRE AWG #18)
: 63819-2200 (AWG #18-14)
7. TERMINAL EXTRACTION TOOL : 63813-2800
8. 本製品は 56193-4185 の鉛フリー品である。
THIS PRODUCT IS LEAD FREE OF 56193-4185.

ⓑ

ⓑ

CHAIN	56193-4028	56193-4***
バラ状 LOOSE	56193-4128	56193-4***
端子形状 TERMINAL CONFIGURATION	MATERIAL No.	MODEL No.

ADDED CHAIN TERM. EC NO: WNA2009-0729 DRWN: TMOELLER 2009/05/06 CHKD: RDEROSS 2009/05/07 APPR: RDEROSS 2009/05/07	GENERAL TOLERANCES (UNLESS SPECIFIED)		DIMENSION STYLE MM ONLY	SCALE 1:1	DESIGN UNITS METRIC	THIRD ANGLE PROJECTION
	10 UNDER	±0.2	DRAWN BY M. NABEI	DATE '07/10/30	TITLE COMPACT ROBOT CONN. POWER CRIMP PIN -LEAD FREE-	
	10 OVER 30 UNDER	±0.25	CHECKED BY M. ISOGAYA	DATE '07/10/30	MOLEX INCORPORATED	
	30 OVER	±0.3	APPROVED BY N. UKITA	DATE '07/10/30	DOCUMENT NO. SD-56193-003	SHEET NO. 1 OF 1
	ANGULAR ±3 °	DRAFT WHERE APPLICABLE MUST REMAIN WITHIN DIMENSIONS	SIZE A3	THIS DRAWING CONTAINS INFORMATION THAT IS PROPRIETARY TO MOLEX INCORPORATED AND SHOULD NOT BE USED WITHOUT WRITTEN PERMISSION		