

**PLEASE CHECK WWW.MOLEX.COM FOR LATEST PART INFORMATION**

**Part Number:** [0533981071](#)  
**Status:** **Active**  
**Overview:** [picoblade](#)  
**Description:** 1.25mm (.049") Pitch PicoBlade™ Header, Surface Mount, Vertical, Lead-free, 10 Circuits

**Documents:**

[3D Model](#) [Product Specification PS-51021-024 \(PDF\)](#)  
[Drawing \(PDF\)](#) [RoHS Certificate of Compliance \(PDF\)](#)

**Agency Certification**

UL E29179

**General**

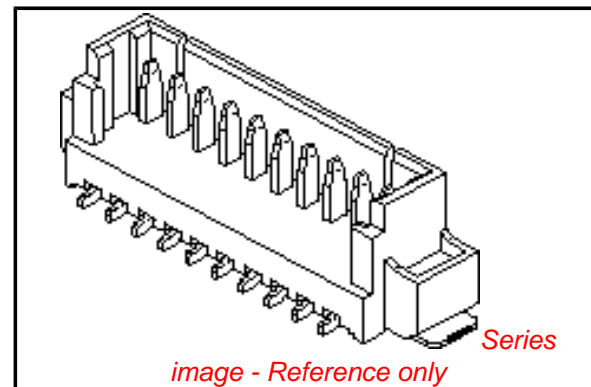
Product Family PCB Headers  
 Series [53398](#)  
 Application Wire-to-Board  
 MolexKits Yes  
 Overview [picoblade](#)  
 Product Name PicoBlade™

**Physical**

Breakaway No  
 Circuits (Loaded) 10  
 Color - Resin Natural  
 Durability (mating cycles max) 30  
 First Mate / Last Break No  
 Flammability 94V-0  
 Glow-Wire Compliant No  
 Guide to Mating Part No  
 Lock to Mating Part Yes  
 Mated Height (in) 0.224 In  
 Mated Height (mm) 5.70 mm  
 Material - Metal Phosphor Bronze  
 Material - Plating Mating Tin  
 Material - Plating Termination Tin  
 Material - Resin Nylon  
 Number of Rows 1  
 Orientation Vertical  
 PC Tail Length (in) 0.024 In  
 PC Tail Length (mm) 0.60 mm  
 PCB Locator No  
 PCB Retention Yes  
 Packaging Type Embossed Tape on Reel  
 Pitch - Mating Interface (in) 0.049 In  
 Pitch - Mating Interface (mm) 1.25 mm  
 Polarized to Mating Part Yes  
 Polarized to PCB Yes  
 Shrouded Partial  
 Stackable No  
 Temperature Range - Operating -40°C to +85°C  
 Termination Interface: Style Surface Mount

**Electrical**

Current - Maximum per Contact 1A  
 Voltage - Maximum 125V



**EU RoHS**

**ELV and RoHS Compliant**  
**REACH SVHC Contains SVHC: No**  
**Halogen-Free Status**

**China RoHS**



**Not Halogen-Free**  
**Need more information on product environmental compliance?**

Email [productcompliance@molex.com](mailto:productcompliance@molex.com)  
 For a multiple part number RoHS Certificate of Compliance, [click here](#)

Please visit the [Contact Us](#) section for any non-product compliance questions.

**Search Parts in this Series**

[53398Series](#)

**Mates With**

[51021](#) PicoBlade™ Wire-to-Wire and Wire-to-Board Housing

## Material Info

### Reference - Drawing Numbers

Packaging Specification

Product Specification

SPK-53398-001, SPK-53398-002  
PS-51021-024, RPS-51021-038, RPS-51021-039,  
RPS-51021-040, RPS-51021-043, RPS-51021-045,  
RPS-51021-046, RPS-51021-047, RPS-51021-051,  
RPS-51021-053, RPS-51021-057, RPS-51021-064,  
RPS-51021-065, RPS-51021-067, RPS-51021-068,  
RPS-51021-074, RPS-51021-077, RPS-51021-081,  
RPS-51021-085, RPS-51021-086, RPS-51021-091,  
RPS-51021-092, RPS-51021-097, RPS-51021-098,  
RPS-51021-099, RPS-51021-101, RPS-53398-002,  
RPS-53398-038  
SD-53398-032, SD-53398-033

Sales Drawing

This document was generated on 06/07/2010

**PLEASE CHECK [WWW.MOLEX.COM](http://WWW.MOLEX.COM) FOR LATEST PART INFORMATION**



10 9 8 7 6 5 4 3 2 1

F

F

E

E

D

D

C

C

B

B

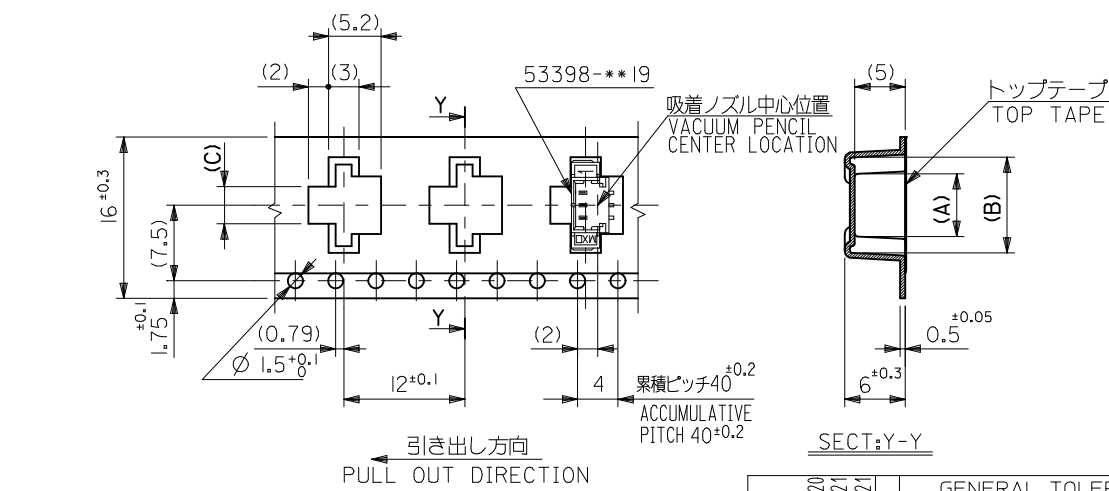
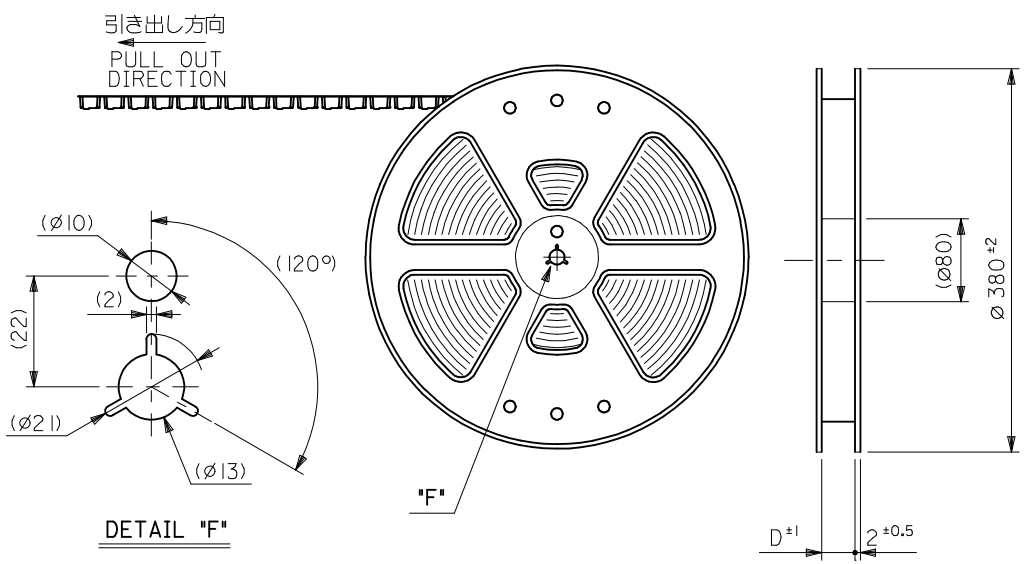
A

A

23.9	23.5	20.5	18.6	19.3	17.5	53398-1571	15
22.65	22.25	19.25	17.35	18.05	16.25	53398-1471	14
21.4	21	18	16.1	16.8	15	53398-1371	13
20.15	19.75	16.75	14.85	15.55	13.75	53398-1271	12
18.9	18.5	15.5	13.6	14.3	12.5	53398-1171	11
17.65	17.25	14.25	12.35	13.05	11.25	53398-1071	10
16.4	16	13	11.1	11.8	10	53398-0971	9
15.15	14.75	11.75	9.85	10.55	8.75	53398-0871	8
13.9	13.5	10.5	8.6	9.3	7.5	53398-0771	7
12.65	12.25	9.25	7.35	8.05	6.25	53398-0671	6
11.4	11	8	6.1	6.8	5	53398-0571	5
10.15	9.75	6.75	4.85	5.55	3.75	53398-0471	4
8.9	8.5	5.5	3.6	4.3	2.5	53398-0371	3
7.65	7.25	4.25	2.35	3.05	1.25	53398-0271	2
F	E	D	C	B	A	EMBOSSED TAPE PKG. (HIGH BARRIER PKG.) ORDER No.	種数 No. of &T's.

CONNECTOR SERIES NO. 53398-\*\*\*19

REVISED EC NO: J2010-0213 DRWN:TKON 2009/09/25 CHKD:NUKITA 2009/09/25 APPR:NUKITA 2009/09/28	GENERAL TOLERANCES (UNLESS SPECIFIED)		DIMENSION STYLE MM ONLY	SCALE ---	DESIGN UNITS METRIC	THIRD ANGLE PROJECTION		
	10 UNDER	±0.2	DRAWN BY MNINOMIYA	DATE 04/02/06	TITLE 1.25 W/B CONN. ASS'Y FOR SMT(ST.) -LEAD FREE-			
	10 OVER 30 UNDER	±0.25	CHECKED BY KTOJO	DATE 04/02/06	MOLEX INCORPORATED SEE TABLE SD-53398-032			
	30 OVER	±0.3	APPROVED BY MSASAO	DATE 04/02/06				
	ANGULAR ±3 °		MATERIAL NO. SEE TABLE		DOCUMENT NO. SD-53398-032	SHEET NO. 2 OF 2		
DRAFT WHERE APPLICABLE MUST REMAIN WITHIN DIMENSIONS		THIS DRAWING CONTAINS INFORMATION THAT IS PROPRIETARY TO MOLEX INCORPORATED AND SHOULD NOT BE USED WITHOUT WRITTEN PERMISSION						



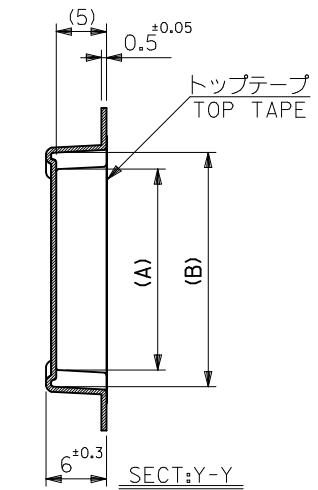
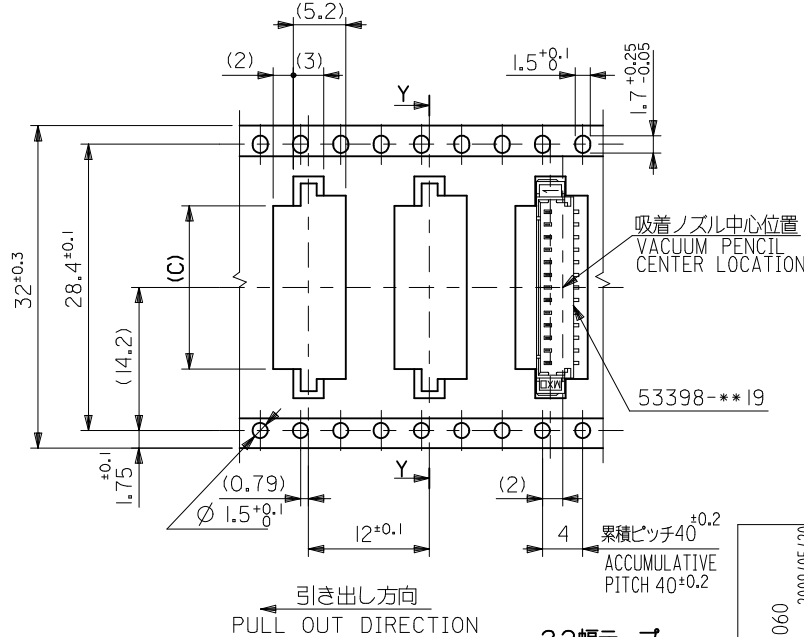
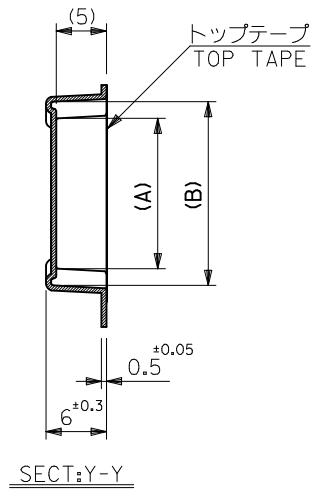
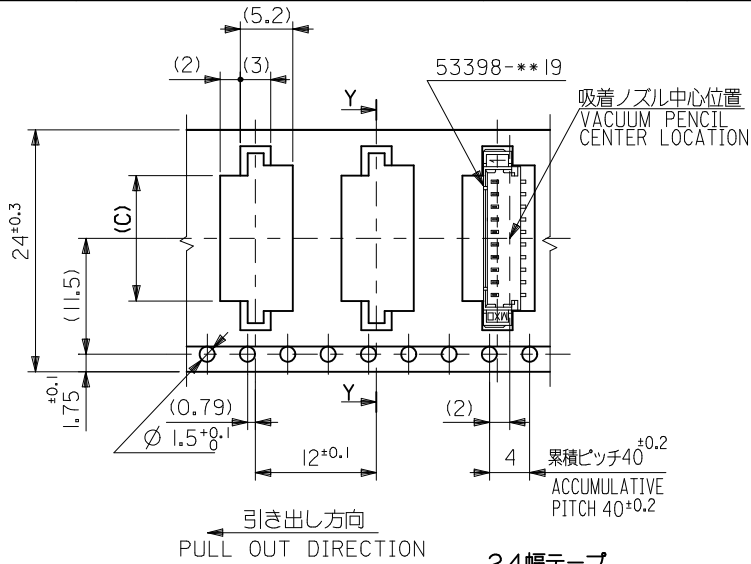
16幅テープ  
(TAPE WIDTH:16)

NOTES

- 梱包数量: 1000個/リール  
NUMBER OF CONNECTOR: 1000PCS/REEL
- リードテープ長さ  
LEAD TAPE LENGTH  
トップテープ未接着部  
TOP TAPE NON-BONDED PART  
25±10  
空エンボス 20~25PCS.  
NUMBER OF EMPTY PART  
部品挿入部  
COMPONENT SUPPLIER  
末端部 (空部)  
TAIL PART (EMPTY)  
480±80  
360±35
- トップテープの剥離強度: 0.6±0.35N(60±35gf) (剥離方向は下図参照)  
PEELING OFF FORCE OF TOP TAPE: 0.6±0.35N(60±35gf) (PEELING DIRECTION IS SHOWN IN FOLLOWING FIG.)  
<剥離速度: 300mm/min (参考)>  
PEELING SPEED: 300mm/min. (REFERENCE)  
引き出し方向  
PULL OUT DIRECTION  
剥離方向  
PEEL OFF DIRECTION  
10°
- 53398-\*\*\*19 の詳細寸法については図面 SD-53398-032 を参照下さい。  
RE DETAILED DIMENSIONS, SEE SD-53398-032.
- 材料 (MATERIAL)  
キャリアテープ (CARRIER TAPE): ポリプロピレン (POLYPROPYLENE)  
トップテープ (TOP TAPE): PET, PE, PEF  
リール (REEL): ポリスチレン (P.S) <リサイクル材含む>  
POLYSTYRENE (PS) <RECYCLE MATERIAL CONTAINED>
- 本製品は 53398-\*\*\*90 の鉛フリー品である。  
THIS PRODUCT IS LEAD FREE OF 53398-\*\*\*90.
- 本製品は乾燥剤入り、ハイバリア梱包仕様である。  
THIS PRODUCT IS HIGH BARRIER PACKAGE WITH DESICCANT.

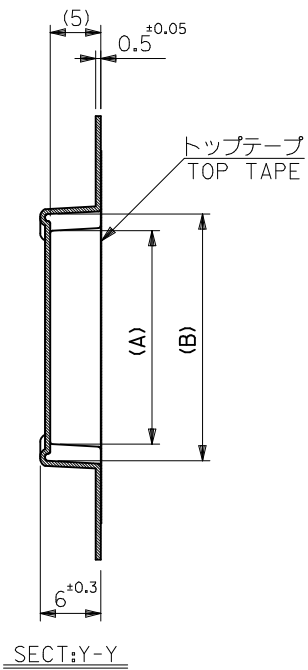
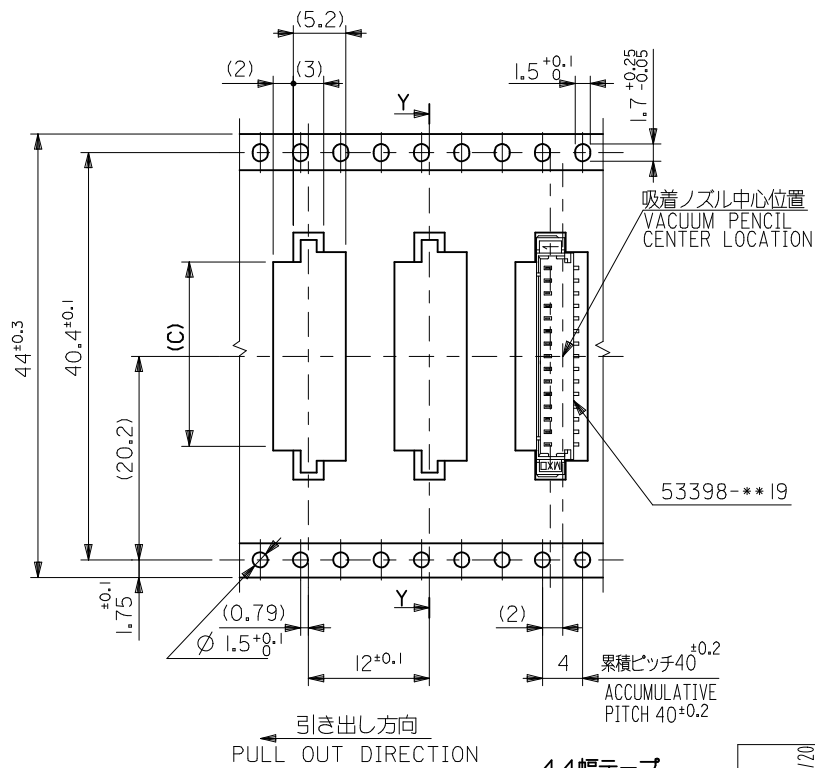
16	21.4	17.4	3.7	9.5	5.8	53398-037I	3
			2.45	8.25	4.55	53398-027I	2
キャリアテープ幅 CARRIER TAPE WIDTH	E	D	(C)	(B)	(A)	MATERIAL NO.	極数 CKT.

REVISED EC NO.: J2009-2060 DRWN:TKON 2009/05/20 CHKD:HMATSUMOTO 2009/05/21 APPR:NIKIITA 2009/05/21	GENERAL TOLERANCES (UNLESS SPECIFIED)		DIMENSION STYLE MM ONLY		SCALE ---	DESIGN UNITS METRIC	THIRD ANGLE PROJECTION
	10 UNDER	±0.2	DRAWN BY NINOMIYA	DATE '04/02/06	TITLE 1.25 W/B CONN WAFER ASSY FOR SMT. EMBSTP. PKG. -LEAD FREE-		
	10 OVER 30 UNDER	±0.25	CHECKED BY K. TOJO	DATE '04/02/06	MOLEX INCORPORATED		
	30 OVER	±0.3	APPROVED BY M. SASAO	DATE '04/02/06	DOCUMENT NO. SD-53398-033	SHEET NO. 1 OF 3	
REV	DESCRIPTION	ANGULAR	±3 °	SEE TABLE & SHEET 2,3			
		DRAFT WHERE APPLICABLE MUST REMAIN WITHIN DIMENSIONS		THIS DRAWING CONTAINS INFORMATION THAT IS PROPRIETARY TO MOLEX INCORPORATED AND SHOULD NOT BE USED WITHOUT WRITTEN PERMISSION			



32	37.4	33.4	16.2	22	18.3	53398-1371	13	
			14.95	20.75	17.05	↑ -1271	12	
24	29.4	25.4	13.7	19.5	15.8	↑ -1171	11	
			12.45	18.25	14.55	-1071	10	
			11.2	17	13.3	-0971	9	
			9.95	15.75	12.05	-0871	8	
			8.7	14.5	10.8	-0771	7	
			7.45	13.25	9.55	-0671	6	
24	29.4	25.4	6.2	12	8.3	↓ -0571	5	
			4.95	10.75	7.05	53398-0471	4	
キャリアテープ幅 CARRIER TAPE WIDTH		E	D	(C)	(B)	(A)	MATERIAL NO.	極数 CKT.

REVISED EC NO: J2009-2060 DRWN:TKON 2009/05/20 CHKD:HMATSUMOTO 2009/05/21 APPR:NUKITA 2009/05/21	DESCRIPTION	GENERAL TOLERANCES (UNLESS SPECIFIED)		DIMENSION STYLE MM ONLY		SCALE ---	DESIGN UNITS METRIC	THIRD ANGLE PROJECTION	
		10 UNDER	±0.2	DRAWN BY NINOMIYA	DATE '04/02/06	TITLE 1.25 W/B CONN WAFER ASSY FOR SMT. EMBSTP. PKG. -LEAD FREE-			
		10 OVER 30 UNDER	±0.25	CHECKED BY K. TOJO	DATE '04/02/06	MOLEX INCORPORATED DOCUMENT NO. SD-53398-033 SHEET NO. 2 OF 3			
		30 OVER	±0.3	APPROVED BY M. SASAO	DATE '04/02/06				
ANGULAR ±3 °		DRAFT WHERE APPLICABLE MUST REMAIN WITHIN DIMENSIONS		SEE TABLE & SHEET 1.3		THIS DRAWING CONTAINS INFORMATION THAT IS PROPRIETARY TO MOLEX INCORPORATED AND SHOULD NOT BE USED WITHOUT WRITTEN PERMISSION			



44幅テープ  
(TAPE WIDTH:44)

REVISED	EC NO. J2009-2060	2009/05/20
	DRWN:TKON	2009/05/21
	CHKD:HMATSUMOTO	2009/05/21
	APPR:NUKITA	2009/05/21
	REV	DESCRIPTION
10	UNDER	±0.2
10	OVER 30 UNDER	±0.25
30	OVER	±0.3
	ANGULAR	±3 °
	DRAFT WHERE APPLICABLE MUST REMAIN WITHIN DIMENSIONS	

44	49.4	45.4	18.7	24.5	20.8	53398-1571	15
			17.45	23.25	19.55	53398-1471	14
キャリアテープ幅 CARRIER TAPE WIDTH	E	D	(C)	(B)	(A)	MATERIAL NO.	極数 CKT.

DIMENSION STYLE MM ONLY		SCALE ---	DESIGN UNITS METRIC	THIRD ANGLE PROJECTION
DRAWN BY NINOMIYA	DATE '04/02/06	TITLE 1.25 W/B CONN WAFER ASSY FOR SMT. EMBSTP. PKG. -LEAD FREE-		
CHECKED BY K. TOJO	DATE '04/02/06	MOLEX INCORPORATED		
APPROVED BY M. SASAO	DATE '04/02/06	MATERIAL NO. SEE TABLE & SHEET 12	DOCUMENT NO. SD-53398-033	SHEET NO. 3 OF 3
SIZE A3 THIS DRAWING CONTAINS INFORMATION THAT IS PROPRIETARY TO MOLEX INCORPORATED AND SHOULD NOT BE USED WITHOUT WRITTEN PERMISSION				