

PLEASE CHECK WWW.MOLEX.COM FOR LATEST PART INFORMATION

Part Number: [0192150027](#)
Status: **Active**
Description: 12-10 TO 16-14 STEP DN BUTT TP (CB-346T)

Documents:

[Drawing \(PDF\)](#) [RoHS Certificate of Compliance \(PDF\)](#)

Agency Certification

UL E32244

General

Product Family Splices
 Series [19215](#)
 Comments Step down: 10/12 to 14/16 AWG
 Crimp Quality Equipment Yes
 Mil-Spec N/A
 Product Name Butt - Step Down

Physical

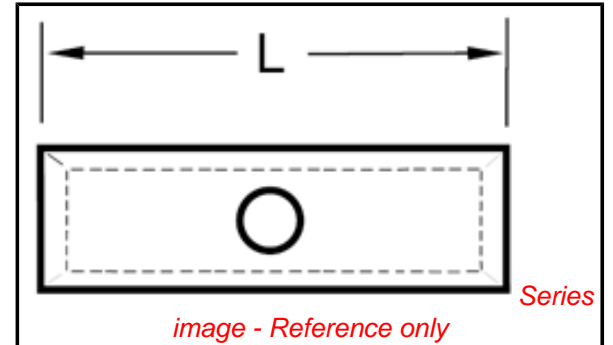
Barrel Type Closed
 Insulation None
 Packaging Type Adhesive Tape on Reel
 Wire Insulation Diameter N/A
 Wire Size AWG 10, 12, 14, 16

Material Info

Old Part Number CB-346T

Reference - Drawing Numbers

Sales Drawing SD-19215-004



EU RoHS

**ELV and RoHS
Compliant**

REACH SVHC

Contains SVHC: No

Halogen-Free

Status

Not Reviewed

China RoHS



**Need more information on product
environmental compliance?**

Email productcompliance@molex.com
 For a multiple part number RoHS Certificate of
 Compliance, [click here](#)

Please visit the [Contact Us](#) section for any
 non-product compliance questions.

Search Parts in this Series

[19215Series](#)

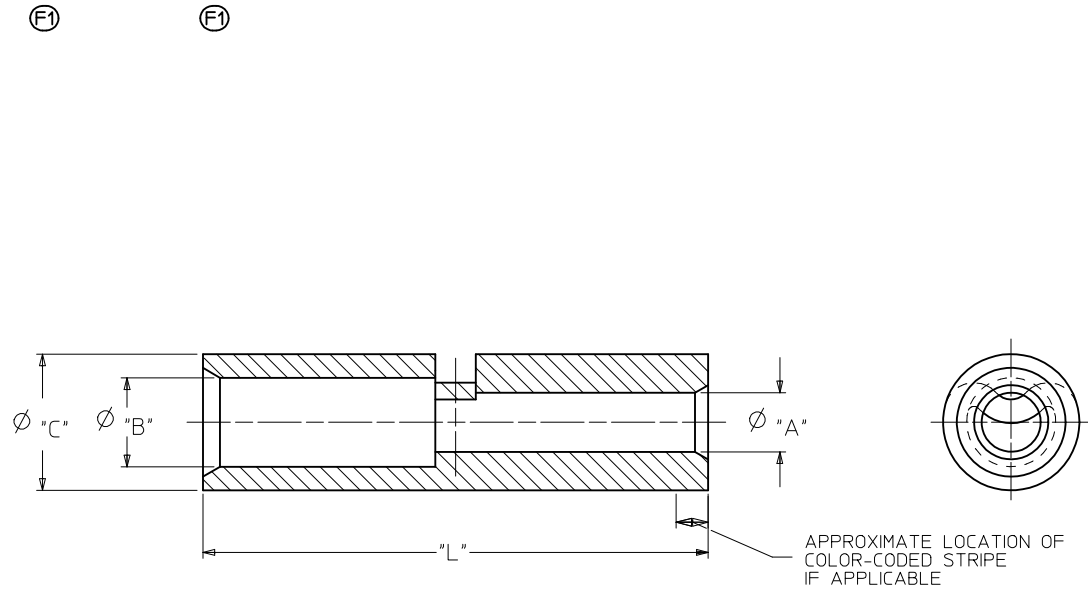
Application Tooling | [FAQ](#)

*Tooling specifications and manuals are
found by selecting the products below.
Crimp Height Specifications are then
contained in the Application Tooling
Specification document.*

Global

Description	Product #
ATP Perishable Tool Kit, Used in ATP Presses that Process Product on Tape	0190270088
Mini-Mac™ Applicator	0638851000

MATERIAL NUMBER	ENG. NUMBER	CODE STRIPE COLOR	"A"		"B"		"C" MAX.	"L" MAX.	CMA RANGE	
			AWG.	MIN. DIA.	AWG.	MIN. DIA.			LARGE I.D. TO	SMALL I.D.
I92150013	BA-331	RED	22-18	.071/1.80	16-14	.088/2.24	.160/4.06	.675/17.15	2050-5180	TO 509-2600
I92150023	CB-346	BLUE	16-14	.097/2.46	12-10	.137/3.48	.223/5.66	.827/21.0	5180-13,100	TO 2050-5180
I92150037	DC-354	YELLOW	12-10	.139/3.53	#8	.172/4.37	.291/7.39	.854/21.69	13,100-20,800	TO 5180-13,100
I92150042	ED-362	RED	#8	.182/4.62	#6	.237/6.02	.375/9.53	1.045/26.54	20,800-33,100	TO 13,100-20800



SALES DRAWING

- NOTES:
- MATERIAL: COPPER
FINISH: ELECTRO-TIN
 - DELETED
 - PART IS ROHS COMPLIANT.

CORRECTED DIMS EC NO: WNA2010-0735 DRW: HETHRODAHL 2010/05/26 CHKD: JMAGNEIL 2010/05/26 APPR: JMAGNEIL 2010/06/04	QUALITY SYMBOLS	GENERAL TOLERANCES (UNLESS SPECIFIED) <table border="1"> <tr> <th></th> <th>mm</th> <th>INCH</th> </tr> <tr> <td>4 PLACES</td> <td>± .004</td> <td>± .001</td> </tr> <tr> <td>3 PLACES</td> <td>± .005</td> <td>± .001</td> </tr> <tr> <td>2 PLACES</td> <td>± .007</td> <td>± .001</td> </tr> <tr> <td>1 PLACE</td> <td>± .010</td> <td>± .002</td> </tr> <tr> <td colspan="3">ANGULAR ± .005°</td> </tr> </table>		mm	INCH	4 PLACES	± .004	± .001	3 PLACES	± .005	± .001	2 PLACES	± .007	± .001	1 PLACE	± .010	± .002	ANGULAR ± .005°			DIMENSION STYLE	SCALE	DESIGN UNITS	THIRD ANGLE PROJECTION
			mm	INCH																				
	4 PLACES		± .004	± .001																				
	3 PLACES		± .005	± .001																				
2 PLACES	± .007	± .001																						
1 PLACE	± .010	± .002																						
ANGULAR ± .005°																								
	▽=0 ▽=0	IN/MM	5:1	INCH																				
		DRAWN BY: RMARSHALL CHECKED BY: RDEROSS APPROVED BY: RDEROSS DATE: 91/10/28	TITLE	STEP DOWN BUTT CONNECTOR VERSAKRIMP																				
		MATERIAL NO. SEE CHART	MOLEX INCORPORATED DOCUMENT NO. SD-19215-004	SHEET NO. 1 OF 1																				