

PLEASE CHECK WWW.MOLEX.COM FOR LATEST PART INFORMATION

Part Number: **0192150013**
Status: **Active**
Description: Step Down Butt Splice for 14-22 AWG Wire

Documents:

[Drawing \(PDF\)](#) [RoHS Certificate of Compliance \(PDF\)](#)

Agency Certification

CSA LR18689
 UL E32244

General

Product Family Splices
 Series 19215
 Comments Step down: 14/16 to 18/22 AWG
 Crimp Quality Equipment Yes
 Mil-Spec N/A
 Product Name Butt - Step Down

Physical

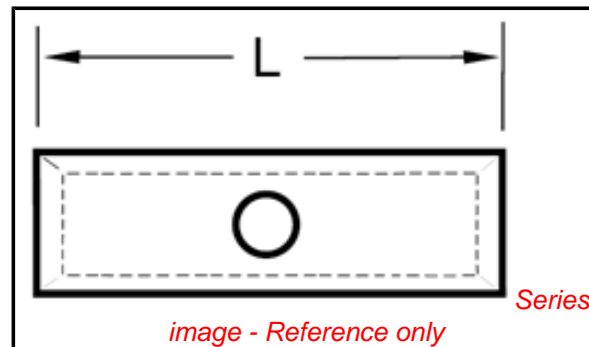
Barrel Type Closed
 Insulation None
 Packaging Type Bag
 Temperature Range - Operating 149°C
 Wire Insulation Diameter N/A
 Wire Size AWG 14, 16, 18, 20, 22
 Wire Size mm² N/A

Material Info

Old Part Number BA-331

Reference - Drawing Numbers

Sales Drawing SD-19215-004



EU RoHS

ELV and RoHS Compliant
REACH SVHC
Contains SVHC: No
Halogen-Free Status

China RoHS



Need more information on product environmental compliance?

Email productcompliance@molex.com
 For a multiple part number RoHS Certificate of Compliance, [click here](#)

Please visit the [Contact Us](#) section for any non-product compliance questions.

Search Parts in this Series
[19215Series](#)

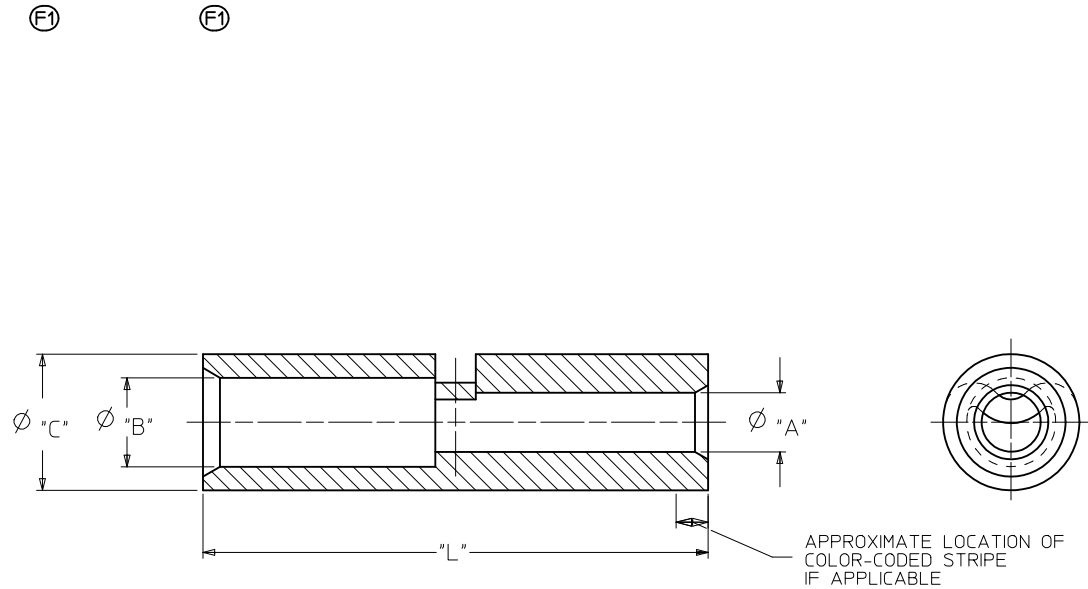
Application Tooling | FAQ

Tooling specifications and manuals are found by selecting the products below. Crimp Height Specifications are then contained in the Application Tooling Specification document.

Global

Description	Product #
Hand Crimp Tool	0640030100
Crimp Head for the AT-200™ Pneumatic Hand Tool	0640070100

MATERIAL NUMBER	ENG. NUMBER	CODE STRIPE COLOR	"A"		"B"		"C" MAX.	"L" MAX.	CMA RANGE	
			AWG.	MIN. DIA.	AWG.	MIN. DIA.			LARGE I.D. TO	SMALL I.D.
I92150013	BA-331	RED	22-18	.071/1.80	16-14	.088/2.24	.160/4.06	.675/17.15	2050-5180	TO 509-2600
I92150023	CB-346	BLUE	16-14	.097/2.46	12-10	.137/3.48	.223/5.66	.827/21.0	5180-13,100	TO 2050-5180
I92150037	DC-354	YELLOW	12-10	.139/3.53	#8	.172/4.37	.291/7.39	.854/21.69	13,100-20,800	TO 5180-13,100
I92150042	ED-362	RED	#8	.182/4.62	#6	.237/6.02	.375/9.53	1.045/26.54	20,800-33,100	TO 13,100-20800



SALES DRAWING

- NOTES:
- MATERIAL: COPPER
FINISH: ELECTRO-TIN
 - DELETED
 - PART IS ROHS COMPLIANT.

(F1)

CORRECTED DIMS EC NO: WNA2010-0735 DRW: HETHRODAHL 2010/05/26 CHKD: JMAGNEIL 2010/05/26 APPR: JMAGNEIL 2010/06/04	QUALITY SYMBOLS	GENERAL TOLERANCES (UNLESS SPECIFIED) <table border="1"> <tr> <th></th> <th>mm</th> <th>INCH</th> </tr> <tr> <td>4 PLACES</td> <td>± .005</td> <td>± .0005</td> </tr> <tr> <td>3 PLACES</td> <td>± .004</td> <td>± .0004</td> </tr> <tr> <td>2 PLACES</td> <td>± .003</td> <td>± .0003</td> </tr> <tr> <td>1 PLACE</td> <td>± .002</td> <td>± .0002</td> </tr> <tr> <td colspan="3">ANGULAR ± .005°</td> </tr> </table>		mm	INCH	4 PLACES	± .005	± .0005	3 PLACES	± .004	± .0004	2 PLACES	± .003	± .0003	1 PLACE	± .002	± .0002	ANGULAR ± .005°			DIMENSION STYLE	SCALE	DESIGN UNITS	THIRD ANGLE PROJECTION
			mm	INCH																				
	4 PLACES		± .005	± .0005																				
	3 PLACES		± .004	± .0004																				
2 PLACES	± .003	± .0003																						
1 PLACE	± .002	± .0002																						
ANGULAR ± .005°																								
		IN/MM	5:1	INCH																				
			DRAWN BY: RMARSHALL DATE: 91/10/28 CHECKED BY: RDEROSS DATE: 91/10/28 APPROVED BY: RDEROSS DATE: 91/10/28	TITLE: STEP DOWN BUTT CONNECTOR VERSAKRIMP																				
			MATERIAL NO. SEE CHART SIZE B	DOCUMENT NO. SD-19215-004	MOLEX INCORPORATED SHEET NO. 1 OF 1																			