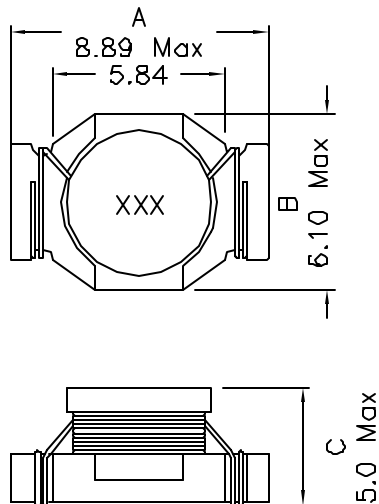
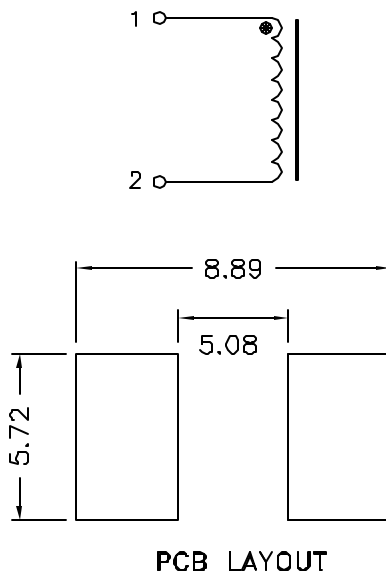


XFxxxxS1M SERIES INDUCTORS

Mechanical Dimensions:



Schematic:



UNLESS OTHERWISE SPECIFIED
TOLERANCES:
.xx ±0.25
Dimensions in MM

Part Number	INDUCTANCE uH (RATED)	OCIL ⁽¹⁾ uH±20%	I rms ⁽²⁾ Amperes	I SAT ⁽³⁾ Amperes	DCR Ohms Max	Marking
XF00047S1M	0.47	0.569	6.0	7.7	0.0097	477
XF00100S1M	1.0	1.20	4.4	5.3	0.0177	106
XF00150S1M	1.5	1.61	4.2	4.5	0.0200	156
XF00220S1M	2.2	2.62	3.1	3.6	0.0363	226
XF00330S1M	3.3	3.79	2.9	3.0	0.0428	336
XF00470S1M	4.7	5.15	2.2	2.6	0.0544	476
XF00680S1M	6.8	6.87	1.7	2.2	0.0897	686
XF01000S1M	10.0	11.00	1.5	1.9	0.1107	105
XF01500S1M	15.0	16.00	1.2	1.5	0.1747	155
XF02200S1M	22.0	23.50	1.0	1.2	0.2541	225
XF03300S1M	33.0	39.02	0.82	0.99	0.3670	335
XF04700S1M	47.0	48.50	0.72	0.87	0.4740	475
XF06800S1M	68.0	73.52	0.58	0.67	0.7320	685
XF10000S1M	100.0	112.67	0.47	0.53	1.109	104

{1} Open Circuit Inductance Test Parameter @100KHz 0.250Vrms 0.0Adc

{2} RMS Current for an Approximate ΔT of 40°C, at an Ambient Temperature of 85°C

{3} Peak Current For Approximate 30% Rolloff

{4} DCR limits 20°C

{5} Operating Temp: -40 to +85°C

{6} Flamability Rating: UL94V-0

{7} Tape & Reel Packaging Standard, 1000 Pcs per 13"Reel

{8} RoHS Compliant