

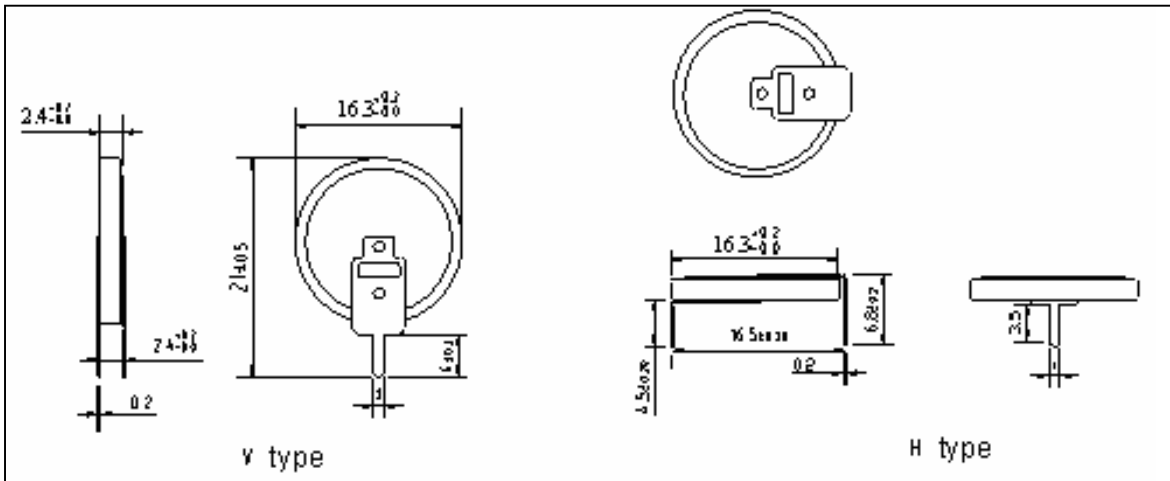


2.7V/2.0F

SC2R7203Z



■ Dimensions in mm(not to scale)



■ Specifications

Items	Specification
Nominal capacitance	2.0F
Capacitance tolerance	-20%~+80% (at 25°C)
Rated voltage	2.7V
ESR (1kHz)	≤15Ω
Weight	1.30g±0.1g
Dimension (φDxL mm)	φ16.3x2.4
Solder fashion	V type, H type
Operation temperature	-25 - 70°C
Storage temperature	-40 ~ 85°C
High/low temperature characteristics	From -25°C to +70°C,  ΔC  ≤ 30% and ESR ≤ 4 times of initially measured values
Moistureproof characteristics	After fully charge, storage 500 hours at 55°C:and 90-95%RH,  ΔC  ≤ 30% and ESR ≤ 4 times of initially measured values
Load life test	After 1,000 hours application under 2.7V DC at 70°C,  ΔC  ≤ 30% of the initial value and ESR ≤4 times of initially measured values
Cycle life	Charge-discharge for 100,000 cycles at 2.7V and 25°C,  ΔC  ≤ 30% and ESR ≤4 times of initially measured value

## Supercapacitor

### ■ Features

- RoHS compliant
- High capacitance and low resistance for long cycle life applications
- Small sized, light weight and maintenance free
- Wider temperature range(-25 ~ 70°C)

### ■ Applications

Primary or back-up power supply for video, audio, camera, printer, hand held scanner, telephone, car stereo, computer, toy, LED display, relay, electric buzzer, etc

### ■ Product list:

Part Number	Rated Voltage(V)	Nominal Capacitance(F)	ESR ( $\Omega$ ) (@1kHz)	Dimension (mm)		Solder Type
				$\Phi$	L (or) T	
SR2R5223Z	2.5	2.2	$\leq 0.28$	$10.0 \pm 0.1$	$21.0 \pm 0.2$	
SR2R5333Z	2.5	3.3	$\leq 0.15$	$10.0 \pm 0.1$	$21.0 \pm 0.2$	
SR2R5473Z	2.5	4.7	$\leq 0.10$	$13.0 \pm 0.1$	$21.0 \pm 0.2$	
SR2R5104Z	2.5	10	$\leq 0.05$	$13.0 \pm 0.1$	$34.0 \pm 0.2$	
SR2R5204Z	2.5	20	$\leq 0.04$	$16.0 \pm 0.1$	$34.0 \pm 0.2$	
SR2R5304Z	2.5	30	$\leq 0.03$	$16.0 \pm 0.1$	$32.0 \pm 0.2$	
SR2R5504Z	2.5	50	$\leq 0.02$	$18.0 \pm 0.1$	$32.0 \pm 0.2$	
SR2R5105Z	2.5	100	$\leq 0.02$	$22.0 \pm 0.2$	$54.0 \pm 0.2$	
SR2R5125Z	2.5	120	$\leq 0.02$	$22.0 \pm 0.2$	$45.0 \pm 0.2$	
SC2R7302Z	2.7	0.3	$\leq 70$	$7.05 \pm 0.1$	$2.5 \pm 0.2$	V type
SC2R7702Z	2.7	0.7	$\leq 30$	$9.65 \pm 0.1$	$2.7 \pm 0.2$	V type, H type
SC2R7103Z	2.7	1.0	$\leq 25$	$12.75 \pm 0.1$	$2.4 \pm 0.2$	V type, H type
SC2R7203Z	2.7	2.0	$\leq 15$	$16.3 \pm 0.1$	$2.4 \pm 0.2$	V type, H type
SC2R7303Z	2.7	3.0	$\leq 10$	$20.2 \pm 0.1$	$2.0 \pm 0.2$	V type, H type
SC2R7603Z	2.7	6.0	$\leq 6$	$20.3 \pm 0.1$	$3.3 \pm 0.2$	V type, H type
SC2R7803Z	2.7	8.0	$\leq 5$	$24.8 \pm 0.1$	$3.5 \pm 0.2$	V type, H type
SC5R5152Z	5.5	0.15	$\leq 150$	$7.05 \pm 0.1$	$5.0 \pm 0.2$	V type
SC5R5222Z	5.5	0.22	$\leq 70$	$9.65 \pm 0.1$	$4.6 \pm 0.2$	V type, H type
SC5R5332Z	5.5	0.33	$\leq 60$	$9.65 \pm 0.1$	$6.0 \pm 0.2$	V type, H type
SC5R5472Z	5.5	0.47	$\leq 45$	$12.75 \pm 0.1$	$4.3 \pm 0.2$	V type, H type
SC5R5802Z	5.5	0.8	$\leq 40$	$20.8 \pm 0.1$	$7.2 \pm 0.2$	C, H, V type
SC5R5103Z	5.5	1.0	$\leq 35$	$20.8 \pm 0.1$	$7.2 \pm 0.2$	C, H, V type
SC5R5153Z	5.5	1.5	$\leq 24$	$20.2 \pm 0.1$	$3.7 \pm 0.2$	V type, H type
SC5R5303Z	5.5	3.0	$\leq 15$	$20.3 \pm 0.1$	$6.7 \pm 0.2$	V type, H type
SC5R5403Z	5.5	4.0	$\leq 15$	$24.8 \pm 0.1$	$6.5 \pm 0.2$	V type, H type

### ■ Part Number System

