

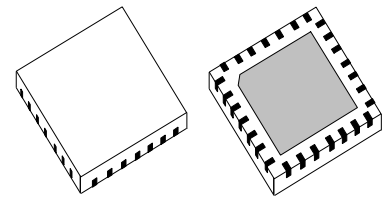
### FEATURES

- ◆ 6 current-limited and short-circuit-proof push-pull drivers
- ◆ Differential 3-channel operation selectable
- ◆ Integrated impedance adaption for 30 to 140 Ω lines
- ◆ Wide power supply range from 4 to 40 V
- ◆ 200 mA output current (at  $V_B = 24\text{ V}$ )
- ◆ Low output saturation voltage ( $< 0.4\text{ V}$  at 30 mA)
- ◆ Compatible with TIA/EIA standard RS-422
- ◆ Tristate switching of outputs enables use in buses
- ◆ Short switching times and high slew rates
- ◆ Low static power dissipation
- ◆ Schmitt trigger inputs with pull-down resistors, TTL and CMOS compatible; voltage-proof up to 40 V
- ◆ Thermal shutdown with hysteresis
- ◆ Error message trigger input TNER
- ◆ Open-drain error output NER, active low with excessive chip temperature and undervoltage at VCC or VB
- ◆ Option: Extended temperature range from  $-40$  to  $125\text{ °C}$

### APPLICATIONS

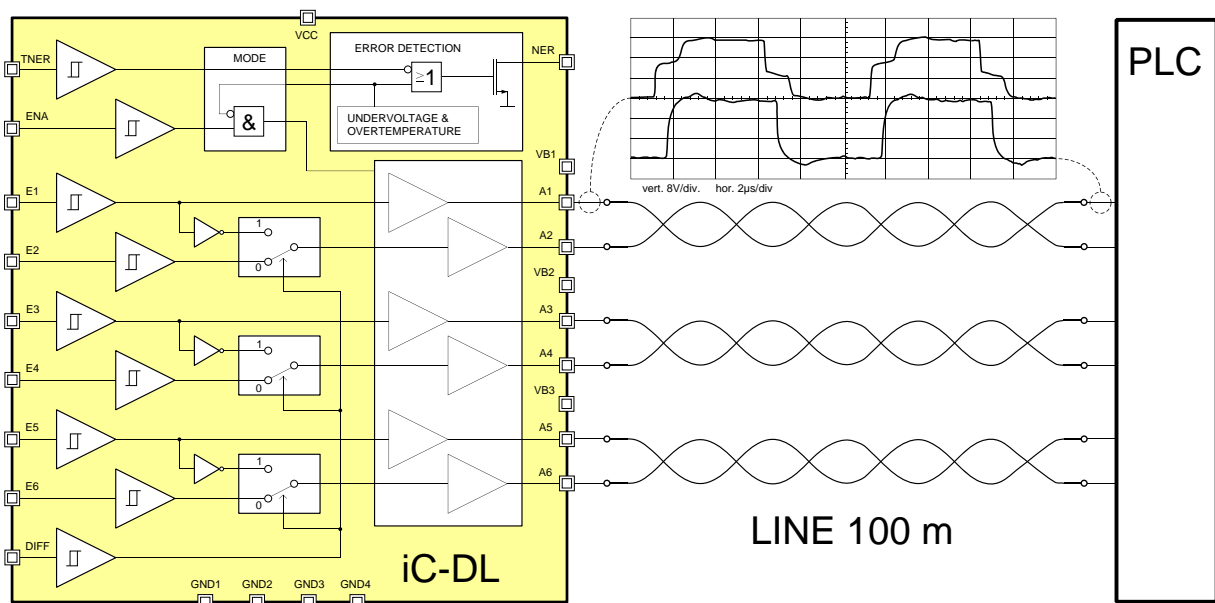
- ◆ Line drivers for 24 V control engineering
- ◆ Linear scales and encoders
- ◆ MR sensor systems

### PACKAGES



QFN28 5x5 mm<sup>2</sup>

### BLOCK DIAGRAM



### DESCRIPTION

iC-DL is a fast line driver with six independent channels and integrated impedance adaptation for 30 to 140 Ω lines.

Channels are paired for differential 3-channel operation by a high signal at the DIFF input, providing differential output signals for the three inputs E1, E3 and E5. All inputs are compatible with CMOS and TTL levels.

The push-pull output stages have a driver power of typically 200 mA from 24 V and are short-circuit-proof and current-limited, shutting down with excessive temperature. For bus applications the output stages can be switched to high impedance using input ENA.

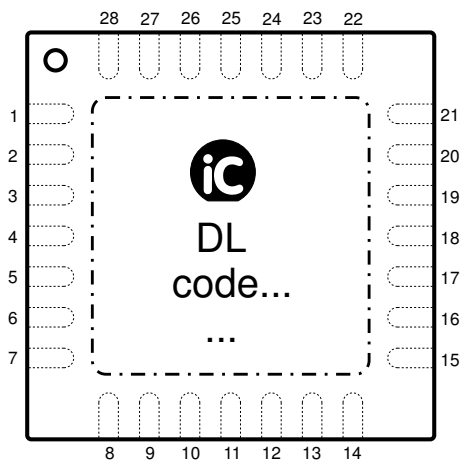
iC-DL monitors supply voltages VB and VCC and the chip temperature, switching all output stages to high impedance in the event of error and set NER active low. In addition, the device also monitors voltage differences at the pins VB1, VB2 and VB3 and generates an error signal if the absolute value exceeds 0.75 V.

The open-drain output NER allows the device to be wired-ORed to the relevant NER error outputs of other iC-DLs. Via input TNER the message outputs of other ICs can be extended to generate system error messages. NER switches to high impedance if supply voltage VCC ceases to be applied.

The device is protected against ESD.

### PACKAGES QFN28 5 x 5 mm<sup>2</sup> JEDEC MO-220-VHHD-1

#### PIN CONFIGURATION QFN28 5 x 5 mm<sup>2</sup>



#### PIN FUNCTIONS

##### No. Name Function

1	E1	Input Channel 1
2	E2	Input Channel 2
3	E3	Input Channel 3
4	n.c.	

#### PIN FUNCTIONS

##### No. Name Function

5	E4	Input Channel 4
6	E5	Input Channel 5
7	E6	Input Channel 6
8	VCC	+5 V Supply
9	n.c.	
10	TNER	Error Input, low active
11	NER	Error Output, active low
12	A6	Output Channel 6
13	GND4	Ground
14	VB3	+4.5 ... 40 V Power Supply
15	A5	Output Channel 5
16	GND3	Ground
17	A4	Output Channel 4
18	VB2	+4.5 ... 40 V Power Supply
19	A3	Output Channel 3
20	GND2	Ground
21	A2	Output Channel 2
22	VB1	+4.5 ... 40 V Power Supply
23	GND1	Ground
24	A1	Output Channel 1
25	n.c.	
26	ENA	Enable Input, high active
27	n.c.	
28	DIFF	Differential Mode Input, high active

The pins VB1, VB2 and VB3 must be connected to the same driver supply voltage VB. The pins GND1, GND2, GND3 and GND4 must be connected to GND. To improve heat dissipation, the *thermal pad* at the bottom of the package should be joined to an extended copper area which must have GND potential.

### ABSOLUTE MAXIMUM RATINGS

Beyond these values damage may occur; device operation is not guaranteed. Absolute Maximum Ratings are no Operating Conditions. Integrated circuits with system interfaces, e.g. via cable accessible pins (I/O pins, line drivers) are per principle endangered by injected interferences, which may compromise the function or durability. The robustness of the devices has to be verified by the user during system development with regards to applying standards and ensured where necessary by additional protective circuitry. By the manufacturer suggested protective circuitry is for information only and given without responsibility and has to be verified within the actual system with respect to actual interferences.

Item No.	Symbol	Parameter	Conditions	Min.   Max.		Unit
				Min.	Max.	
G001	VCC	Supply Voltage		0	7	V
G002	VBx	Driver Supply Voltage VB1, VB2, VB3	pulse tested	0	40	V
G003	V()	Voltage at E1...6, A1...6, DIFF, ENA, TNER, NXS, CXS1, CXS6		0	36	V
G004	I(Ax)	Driver Output Current (x=1...6)		-800	800	mA
G005	I(Ex)	Input Current Driver E1...E6, Diff, ENA, TNER, NXS		-4	4	mA
G006	V(NER)	Voltage at NER	pulse tested	0	36	V
G007	I(NER)	Current in NER		-4	25	mA
G008	V()	ESD Suceptibility at all pins	HBM 100 pF discharged through 1.5 kΩ		2	kV
G009	Tj	Operating Junction Temperature		-40	140	°C
G010	Ts	Storage Temperature Range		-40	150	°C

### THERMAL DATA

Operating Conditions: VB = 4...32 V, VCC = 4...5.5 V

Item No.	Symbol	Parameter	Conditions	Min.   Typ.   Max.			Unit
				Min.	Typ.	Max.	
T01	Ta	Operating Ambient Temperature Range (extended range to -40°C on request)		-25		125	°C
T02	Rthja	Thermal Resistance Chip to Ambient	surface mounted, <i>thermal pad</i> soldered to approx. 2 cm <sup>2</sup> heat sink		40		K/W

All voltages are referenced to ground unless otherwise stated.

All currents into the device pins are positive; all currents out of the device pins are negative.

# iC-DL

## 3-CHANNEL DIFFERENTIAL LINE DRIVER



Rev B1, Page 4/9

### ELECTRICAL CHARACTERISTICS

Operating Conditions: VB1...3 = 4.5...32 V, VCC = 4...5.5 V, Tj = -40...140 °C, unless otherwise noted  
input level lo = 0...0.45 V, hi = 2.4 V...VCC, timing diagram see fig. 1

Item No.	Symbol	Parameter	Conditions				Unit
				Min.	Typ.	Max.	
<b>General (x=1..6)</b>							
001	VBx	Supply Voltage Range (Driver)		4		32	V
002	I(VBx)	Supply Current in VB1...3	Ax = lo			1.5	mA
003	I(VBx)	Supply Current in VB1...3	Ax = hi			3	mA
004	I(VBx)	Supply Current in VB1, Outputs A1...2 Tri-State	ENA = lo, V(A1...2) = -0.3...(VB + 0.3 V)			1.2	mA
005	I(VBx)	Supply Current in VB2...3, Outputs A3...6 Tri-State	ENA = lo, V(A3...6) = -0.3...(VB + 0.3 V)			1	mA
006	IO(Ax)	Output Leakage Current	ENA = lo, V(Ax) = 0 ... VB	-20		20	µA
007	VCC	Supply Voltage Range (Logic)		4		5.5	V
008	I(VCC)	Supply Current in VCC	ENA = hi, Ax = lo		5	10	mA
009	I(VCC)	Supply Current in VCC	ENA = hi, Ax = hi		1.5	5	mA
010	Vc(lo)	Clamp Voltage low at pins VB1...3, A1...6, E1...6, DIFF, ENA TNER, NER, VCC	I() = -10 mA, all other pins open	-1.2		-0.4	V
011	Vc(hi)	Clamp Voltage high at Vcc	I() = 10 mA	5.6		7	V
012	Vc(hi)	Clamp Voltage high at pins VB1...3, A1...6, E1...6, DIFF, ENA TNER, NER	I() ≤ 2 mA, all other pins open	40		64	V
013	I(VBx)	Supply Current in VB1...3	ENA = hi, f(E1...6) = 1 MHz		3	10	mA
<b>Driver Outputs A1...6, Low-Side-action (x = 1...6)</b>							
101	Vs(Ax)lo	Saturation Voltage low	I(Ax) = 10 mA, Ax = low			0.2	V
102	Vs(Ax)lo	Saturation Voltage low	I(Ax) = 30 mA, Ax = low			0.4	V
103	Isc(Ax)lo	Short circuit current low	V(Ax) = 1.5 V	40	60	90	mA
104	Isc(Ax)lo	Short circuit current low	V(Ax) = VB, Ax = low			800	mA
105	Rout(Ax)	Output resistance	VB = 10...40 V, V(Ax) = 0.5 * VB	40	75	100	Ω
106	SR(Ax)lo	Slew Rate low	VB = 40 V, Cl(Ax) = 100 pF	200	600		V/µs
107	Vc(Ax)lo	Free Wheel Clamp Voltage low	I(Ax) = -100 mA	-1.3		-0.5	V
<b>Driver Outputs A1...6, High-Side-action (x = 1...6)</b>							
201	Vs(Ax)hi	Saturation Voltage high	Vs(Ax)hi = VB - V(Ax), I(Ax) = -10 mA			0.2	V
202	Vs(Ax)hi	Saturation Voltage high	Vs(Ax)hi = VB - V(Ax), I(Ax) = -30 mA, Ax = hi			0.4	V
203	Isc(Ax)hi	Short circuit current high	V(Ax) = VB - 1.5 V, Ax = hi	-90	-60	-40	mA
204	Isc(Ax)hi	Short circuit current high	V(Ax) = 0 V, Ax = hi	-800			mA
205	Rout(Ax)	Output resistance	VB = 10...40 V, V(Ax) = 0.5 * VB	40	75	100	Ω
206	SR(Ax)hi	Slew Rate high	VB = 40 V, Cl(Ax) = 100 pF	200	400		V/µs
207	Vc(Ax)hi	Free Wheel Clamp Voltage high	I(Ax) = 100 mA, VB = VCC = GND	0.5		1.3	V
<b>Inputs E1...6, DIFF, ENA, TNER</b>							
601	Vt(hi)	Threshold Voltage high				2	V
602	Vt(lo)	Threshold Voltage low		0.8			V
603	Vt(hys)	Input Hysteresis	Vt(hys) = Vt(hi) - Vt(lo)	200	400	800	mV
604	Ipd()	Pull-Down-Current	V() = 0.8 V	10		80	µA
605	Ipd()	Pull-Down-Current	V() ≤ 40 V			160	µA
<b>Supply Voltage Control VB</b>							
701	VBon	Threshold Value at VB1 for Undervoltage Detection on (NER ⇒ low)	VB1 - VB2  &  VB2 - VB3  &  VB1 - VB3  < 0.75 V			3.95	V
702	VBoff	Threshold Value at VB1 for Undervoltage Detection off (NER ⇒ high)	VB1 - VB2  &  VB2 - VB3  &  VB1 - VB3  < 0.75 V	3			V

### ELECTRICAL CHARACTERISTICS

Operating Conditions:  $V_{B1...3} = 4.5...32\text{ V}$ ,  $V_{CC} = 4...5.5\text{ V}$ ,  $T_j = -40...140\text{ }^\circ\text{C}$ , unless otherwise noted  
 input level  $l_o = 0...0.45\text{ V}$ ,  $h_i = 2.4\text{ V}...V_{CC}$ , timing diagram see fig. 1

Item No.	Symbol	Parameter	Conditions	Min.	Typ.	Max.	Unit
703	$V_{Bhys}$	Hysteresis	$V_{Bhys} = V_{Bon} - V_{Boff}$	150	250		mV
<b>Supply Voltage Difference Control VB1...3</b>							
801	$\Delta V(V_{Bx})$	Threshold Condition for Supply Voltage Difference between $V_{B1}$ , $V_{B2}$ and $V_{B3}$	$\Delta V(V_{Bx}) = \text{MAX}( V_{B1} - V_{B2} ,  V_{B2} - V_{B3} ,  V_{B1} - V_{B3} )$ NER $\Rightarrow$ low	0.75		1.85	V
<b>Supply Voltage Control VCC</b>							
901	$V_{CCon}$	Threshold Value at VCC for Undervoltage Detection on	NER $\Rightarrow$ low			3.95	V
902	$V_{CCoff}$	Threshold Value at VCC for Undervoltage Detection off	NER $\Rightarrow$ high	3			V
903	$V_{CChys}$	Hysteresis	$V_{CChys} = V_{CCon} - V_{CCoff}$	250	600		mV
<b>Temperatur Control</b>							
A01	$T_{off}$	Thermal Shutdown Threshold		145		175	$^\circ\text{C}$
A02	$T_{on}$	Thermal Lock-on Threshold		130		165	$^\circ\text{C}$
A03	$T_{hys}$	Thermal Shutdown Hysteresis	$T_{hys} = T_{on} - T_{off}$		12		$^\circ\text{C}$
<b>Error Output NER</b>							
B01	$V_s()$	Saturation Voltage low at NER	$I(NER) = 5\text{ mA}$ , NER = lo			0.4	V
B02	$I_{sc}()$	Short Circuit Current low at NER	$V(NER) = 2...40\text{ V}$ , NER = lo		12	20	mA
B03	$I_O()$	Leakage Current at NER	$V(NER) = 0\text{ V}...V_B$ , NER = hi	-10		10	$\mu\text{A}$
B04	VCC	Supply Voltage for NER function	$I(NER) = 5\text{ mA}$ , NER = lo, $V_s(NER) < 0.4\text{ V}$	2.9			V
<b>Time Delays</b>							
I01	$t_{ph}(E-A)$	Propagation Delay $E_x \Rightarrow A_x$	DIFF = lo, $C_I() = 100\text{ pF}$ , see Fig. 1		100	400	ns
I02	$t_{ph}(E-A)$	Propagation Delay $E_x \Rightarrow A_x$	DIFF = lo, $C_I() = 100\text{ pF}$ , see Fig. 1		100	200	ns
I03	$\Delta t_{ph}(A_x)$	Delay Skew $ A1 \Rightarrow A2 ,  A3 \Rightarrow A4 ,  A5 \Rightarrow A6 $	DIFF = hi, $C_I() = 100\text{ pF}$ , see Fig. 1		30	100	ns
I04	$\Delta t_{ph}(A_x)$	Delay Skew $ A1 \Rightarrow A2 ,  A3 \Rightarrow A4 ,  A5 \Rightarrow A6 $	DIFF = hi, $C_I() = 100\text{ pF}$ , see Fig. 1		30	100	ns
I05	$t_{ph}(ENA)$	Propagation Delay $ENA \Rightarrow A_x$	$E_x = hi$ , DIFF = lo, $C_I() = 100\text{ pF}$ , $R_I(A_x, GND) = 5\text{ k}\Omega$ , see Fig. 1		130	300	ns
I06	$t_{ph}(ENA)$	Propagation Delay $ENA \Rightarrow A_x$	$E_x = lo$ , DIFF = lo, $C_I() = 100\text{ pF}$ , $R_I(V_B, A_x) = 100\text{ k}\Omega$ , see Fig. 1		100	200	ns
I07	$t_{ph}(ENA)$	Propagation Delay $ENA \Rightarrow A_x$	$E_x = lo$ , DIFF = lo, $R_I(V_B, A_x) = 5\text{ k}\Omega$ , see Fig. 1		200	500	ns
I08	$t_{ph}(ENA)$	Propagation Delay $ENA \Rightarrow A_x$	$E_x = hi$ , DIFF = lo, $R_I(A_x, GND) = 5\text{ k}\Omega$ , see Fig. 1		250	500	ns
I09	$t_{ph}(DIFF)$	Propagation Delay DIFF $\Rightarrow A2, A4, A6$	$E1, E3, E5 = hi$ , $C_I() = 100\text{ pF}$ , see Fig. 1		100	250	ns
I10	$t_{ph}(DIFF)$	Propagation Delay DIFF $\Rightarrow A2, A4, A6$	$E1, E3, E5 = lo$ , $C_I() = 100\text{ pF}$ , see Fig. 1		130	400	ns
I11	$t_{pl}(TNER)$	Propagation Delay $TNER \Rightarrow NER$	$R_I(V_B, NER) = 5\text{ k}\Omega$ , $C_I() = 100\text{ pF}$ , see Fig. 1		0.5	2	$\mu\text{s}$

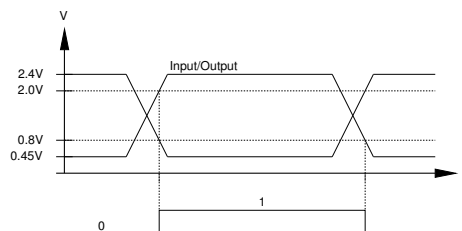


Figure 1: Reference levels for delays

### DESCRIPTION

Line drivers for control engineering couple TTL- or CMOS-compatible digital signals with 24 V systems via cables. The maximum permissible signal frequency is dependent on the capacitive load of the outputs (cable length) or, more specifically, the power dissipation in iC-DL resulting from this. To avoid possible short circuiting the drivers are current-limited and shutdown with excessive temperature.

When the output is open the maximum output voltage corresponds to supply voltage  $V_B$  (with the exception of any saturation voltages). Figure 2 gives the typical DC output characteristic of a driver as a function of the load. The differential output resistance is typically  $75 \Omega$  over a wide voltage range.

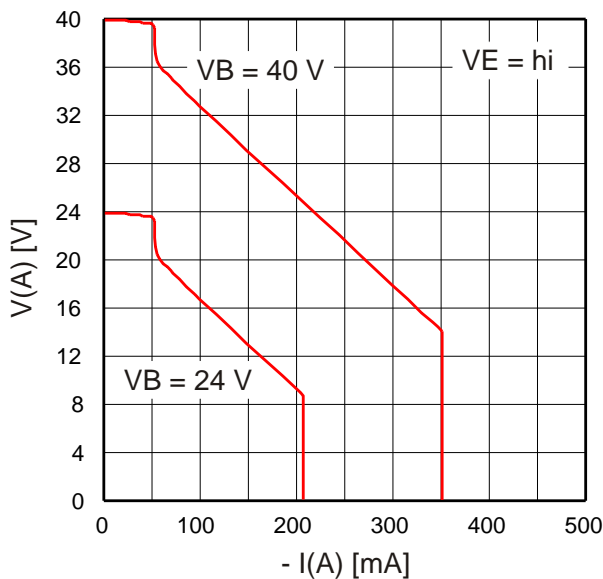


Figure 2: Load dependence of the output voltage (High-side stage)

Each open-circuited input is set to low by an internal pull-down current source; an additional connection to GND increases the device's immunity to interference. The inputs are TTL- and CMOS-compatible. Due to their high input voltage range, the inputs can also be set to high-level by applying VCC or  $V_B$ .

### LINE EFFECTS

In PLC systems data transmission using 24 V signals usually occurs without a matched line termination. A mismatched line termination generates reflections which travel back and forth if there is also no line adaptation on the driver side of the device. With rapid pulse trains transmission is disrupted. In iC-DL, how-

ever, further reflection of back travelling signals is prevented by an integrated impedance network, as shown in Figure 3.

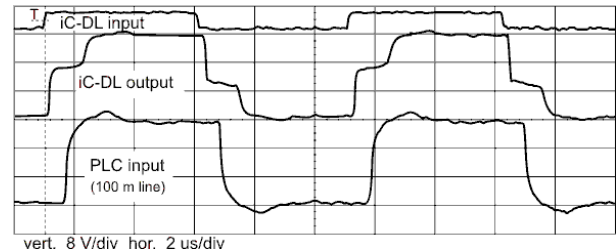


Figure 3: Reflections caused by a mismatched line termination

During a pulse transmission the amplitude at the iC-DL output initially only increases to half the value of supply voltage  $V_B$  as the internal driver resistance and characteristic line impedance form a voltage divider. A wave with this amplitude is coupled into the line and experiences after a delay a total reflection at the high-impedance end of the line. At this position, the reflected wave superimposes with the transmitted wave and generates a signal with the double wave amplitude at the receiving device.

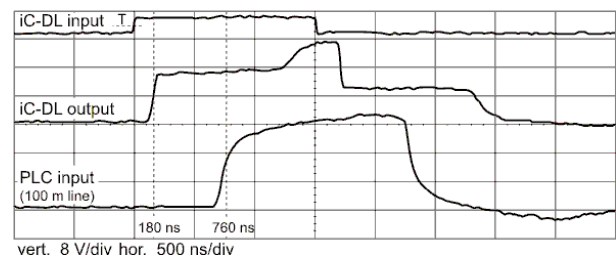


Figure 4: Pulse transmission and transit times

After a further delay, the reflected wave also increases the driver output to the full voltage swing. iC-DL's integrated impedance adapter prevents any further reflection and the achieved voltage is maintained along and at the termination of the line.

A mismatch between iC-DL and the transmission line influences the level of the signal wave first coupled into the line, resulting in reflections at the beginning of the line. The output signal may then have a number of graduations. Voltage peaks beyond  $V_B$  or below GND are capped by integrated diodes. By this way, transmission lines with a characteristic impedance between  $30 \Omega$  and  $140 \Omega$  permit proper operation.

# iC-DL

## 3-CHANNEL DIFFERENTIAL LINE DRIVER



Rev B1, Page 7/9

### PRINTED CIRCUIT BOARD LAYOUT

The *thermal pad* at the bottom of the package improves thermal dissipation. The board layout has to be designed so that an appropriate number of copper vias below the thermal pad area form a good conductive path to the reverse of the board where a blank copper surface of sufficient size (approx. 2 cm<sup>2</sup>) carries off

heat. The *thermal pad* is to be soldered to the board and must be connected to GND.

To smooth the local IC supply VCC and VBx, blocking capacitors must be connected directly to these pins and to GND.

### EVALUATION BOARD

iC-DL is in a QFN28 package and comes with a evaluation board for test purposes. Figures 5 and 6 show both the wiring and the top of the evaluation board.

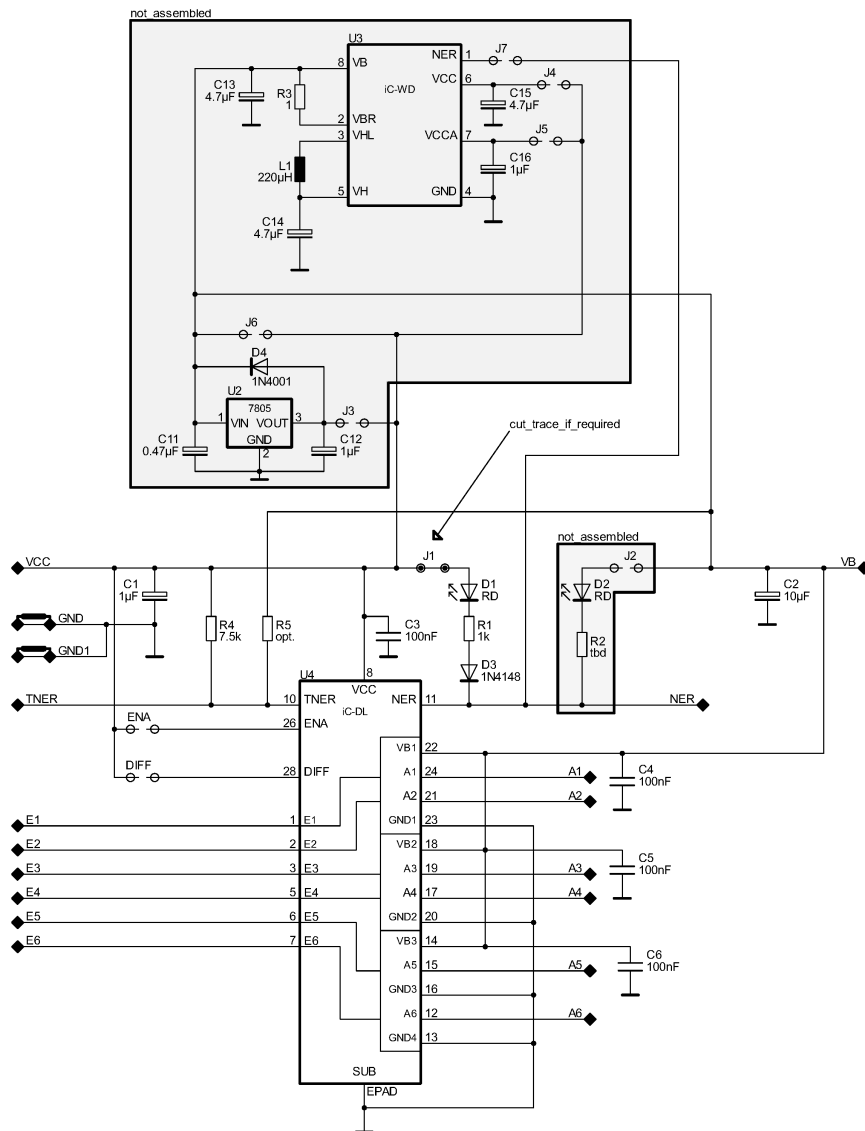


Figure 5: Circuit diagram of the evaluation board

# iC-DL

## 3-CHANNEL DIFFERENTIAL LINE DRIVER



Rev B1, Page 8/9

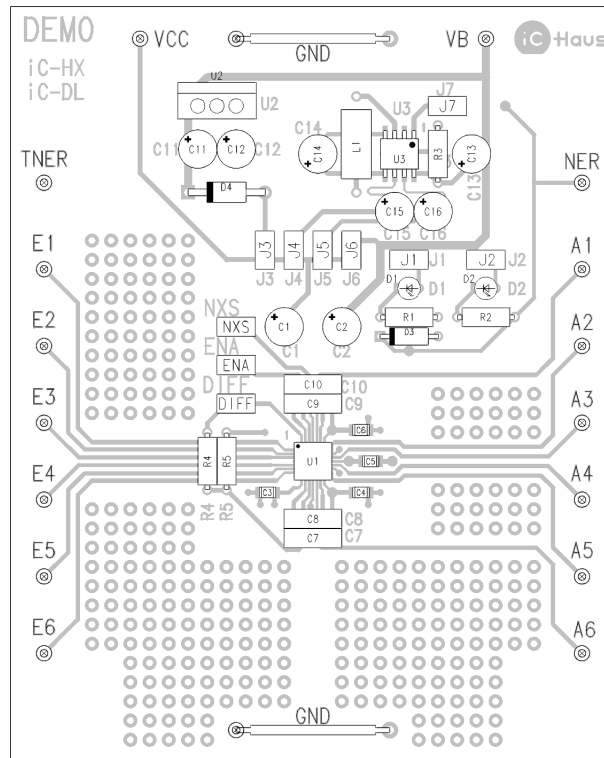


Figure 6: Evaluation board (component side)

iC-Haus expressly reserves the right to change its products and/or specifications. An Infoletter gives details as to any amendments and additions made to the relevant current specifications on our internet website [www.ichaus.de/infoletter](http://www.ichaus.de/infoletter); this letter is generated automatically and shall be sent to registered users by email.

Copying – even as an excerpt – is only permitted with iC-Haus approval in writing and precise reference to source.

iC-Haus does not warrant the accuracy, completeness or timeliness of the specification on this site and does not assume liability for any errors or omissions in the materials. The data specified is intended solely for the purpose of product description. No representations or warranties, either express or implied, of merchantability, fitness for a particular purpose or of any other nature are made hereunder with respect to information/specification or the products to which information refers and no guarantee with respect to compliance to the intended use is given. In particular, this also applies to the stated possible applications or areas of applications of the product.

iC-Haus conveys no patent, copyright, mask work right or other trade mark right to this product. iC-Haus assumes no liability for any patent and/or other trade mark rights of a third party resulting from processing or handling of the product and/or any other use of the product.

As a general rule our developments, IPs, principle circuitry and range of Integrated Circuits are suitable and specifically designed for appropriate use in technical applications, such as in devices, systems and any kind of technical equipment, in so far as they do not infringe existing patent rights. In principle the range of use is limitless in a technical sense and refers to the products listed in the inventory of goods compiled for the 2008 and following export trade statistics issued annually by the Bureau of Statistics in Wiesbaden, for example, or to any product in the product catalogue published for the 2007 and following exhibitions in Hanover (Hannover-Messe).

We understand suitable application of our published designs to be state-of-the-art technology which can no longer be classed as inventive under the stipulations of patent law. Our explicit application notes are to be treated only as mere examples of the many possible and extremely advantageous uses our products can be put to.



**ORDERING INFORMATION**

Type	Package	Order Designation
iC-DL	QFN28 5 x 5 mm <sup>2</sup>	iC-DL QFN28
iC-DL Evaluation Board		iC-DL EVAL DL2D

For technical support, information about prices and terms of delivery please contact:

**iC-Haus GmbH**  
Am Kuemmerling 18  
D-55294 Bodenheim  
GERMANY

**Tel.: +49 (61 35) 92 92-0**  
**Fax: +49 (61 35) 92 92-192**  
**Web: <http://www.ichaus.com>**  
**E-Mail: [sales@ichaus.com](mailto:sales@ichaus.com)**

Appointed local distributors: [http://www.ichaus.com/sales\\_partners](http://www.ichaus.com/sales_partners)