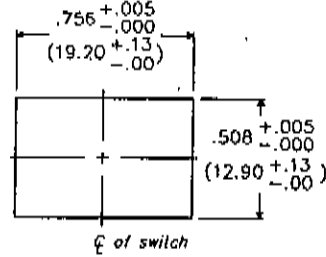
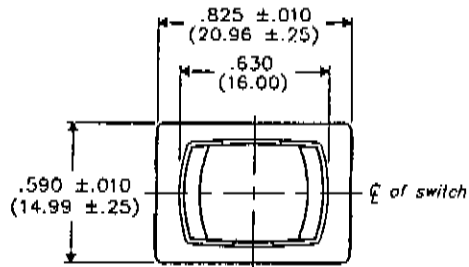
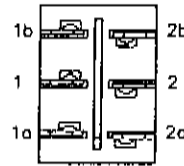


DIMENSIONS IN INCHES (MILLIMETERS)
DO NOT SCALE DRAWING

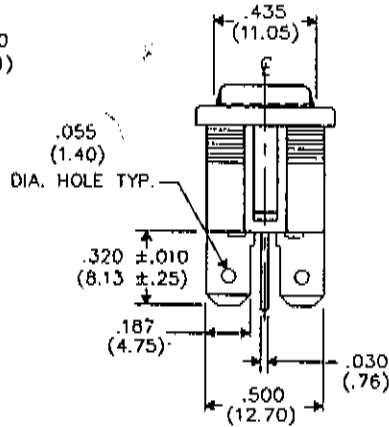
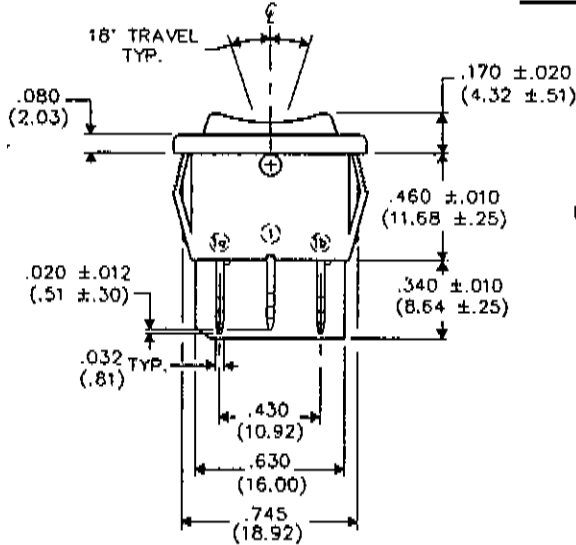
Dwg. No.
GRS-4023A-1300



PANEL PIERCING



BOTTOM VIEW



FORM-B

REVISIONS	DATE	BY	DESCRIPTION
0	9-15-94		RELEASED
1	SEP 16 1994		REMOVED EUREKA P/N: (138348-21), 98W II - 01 - 95

BAF A. 2003 03 1885

CW INDUSTRIES
Southampton, Pa 18966

TOLERANCES UNLESS OTHERWISE SPECIFIED
 2 Place decimal ± .010 METRIC
 3 Place decimal ± .005 1 Place dec. ± .25mm
 Angles ± 1' 2 Place dec. ± .13mm

Part No: SAS0208A
 Made for: CW IND.
 Drawn by: OGW 9-15-94
 Checked by: G. Guld 9-16-94
 Approved: [Signature] 9/16/94

Title: **ASSEMBLY
ROCKER SWITCH
D.P. - CENTER OFF
(ON - OFF - ON)**
 Division: **SWITCH**
 Dwg. No.: **GRS-4023A-1300**

MASTER