

PLEASE CHECK WWW.MOLEX.COM FOR LATEST PART INFORMATION

Part Number: [0190980043](#)
Status: **Active**
Description: Krimptite™ Snap Spade Terminal, for 14-16 AWG Wire, Stud Size 5-6 (M3-3.5), 14.86mm (.585") Length

Documents:

[Drawing \(PDF\)](#) [RoHS Certificate of Compliance \(PDF\)](#)

Agency Certification

CSA LR18689
 UL E32244

General

Product Family Ring and Spade Terminals
 Series [19098](#)
 Crimp Quality Equipment Yes
 Mil-Spec N/A
 Product Name Krimptite™
 Type Spade Snap

Physical

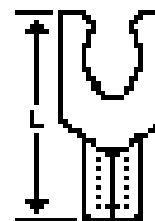
Barrel Type Closed
 Insulation None
 Material - Plating Mating Tin
 Packaging Type Bag
 Stud Size 5-6 (M3-3.5)
 Wire Size AWG 14, 16
 Wire Size mm² 1.30 - 2.00

Material Info

Old Part Number BB-1707-06

Reference - Drawing Numbers

Sales Drawing BBCD10502



Series
 image - Reference only

EU RoHS

ELV and RoHS Compliant
REACH SVHC Contains SVHC: No
Halogen-Free Status

China RoHS



Need more information on product environmental compliance?

Email productcompliance@molex.com
 For a multiple part number RoHS Certificate of Compliance, [click here](#)

Please visit the [Contact Us](#) section for any non-product compliance questions.

Search Parts in this Series

[19098Series](#)

Application Tooling | [FAQ](#)

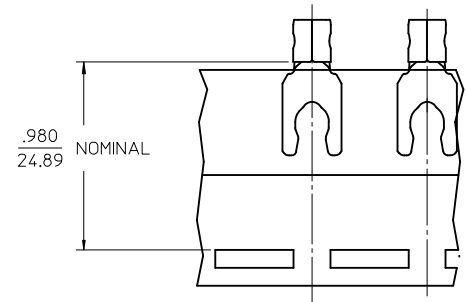
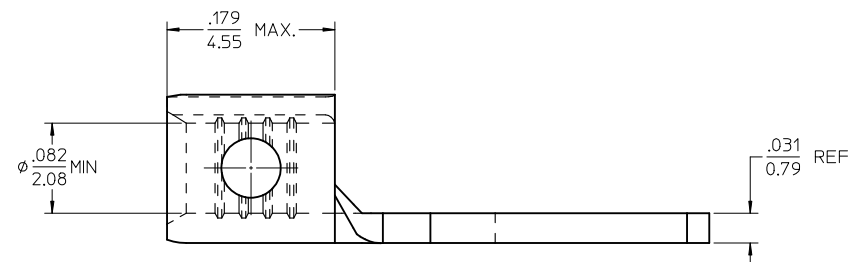
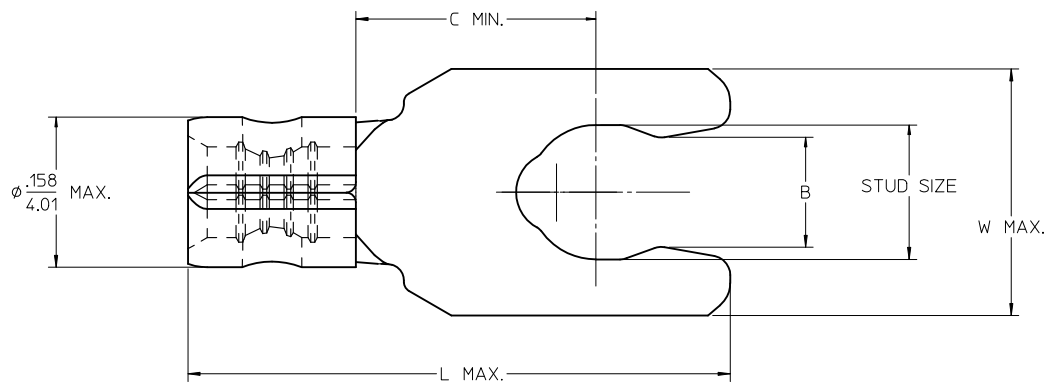
Tooling specifications and manuals are found by selecting the products below. Crimp Height Specifications are then contained in the Application Tooling Specification document.

Global

Description	Product #
Hand Crimp Tool	0640030100
Crimp Head for the AT-200™ Pneumatic Hand Tool	0640070100

LOOSE PIECE		TAPE MOUNTED						
MATERIAL NO.	ENGINEERING NO.	MATERIAL NO.	ENGINEERING NO.	STUD SIZE	DIMENSION B	DIMENSION C	DIMENSION L	DIMENSION W
190980041	BB-1707-05	190980042	BB-1707-05T	5	.105/2.67	.230/5.84	.585/14.86	.265/6.73
190980043	BB-1707-06	190980044	BB-1707-06T	6	.114/2.90	.230/5.84	.585/14.86	.265/6.73
190980047	BB-1716-08	190980048	BB-1716-08T	8	.139/3.53	.261/6.63	.646/16.41	.320/8.13
190980049	BB-1717-10	190980050	BB-1717-10T	10	.156/3.96	.261/6.63	.694/17.63	.340/8.64

(B)
(B)



PARTS ON TAPE

- NOTES:
 1. MATERIAL: COPPER .031/0.79 THICK
 2. PLATING: ELECTRO-TIN
 3. PARTS ARE RoHS COMPLIANT

INCR TONGUE WIDTH	EC NO: WNA2010-0646	QUALITY SYMBOLS	▼=1
	DRWR:RSTONE 2007/07/05		▽=2
CHKD:J.MACNEIL 2010/04/27	APPR:J.MACNEIL 2010/05/14	DESCRIPTION	
REV			

GENERAL TOLERANCES (UNLESS SPECIFIED)	
	mm INCH
4 PLACES ± ---	± ---
3 PLACES ± ---	± .005
2 PLACES ± 0.13	± .01
1 PLACE ± 0.25	± ---
ANGULAR ± 1/2°	
DRAFT WHERE APPLICABLE MUST REMAIN WITHIN DIMENSIONS	

DIMENSION STYLE	
IN/MM	
DRAWN BY	DATE
KO	1984/10/19
CHECKED BY	DATE
GZ	1984/11/02
APPROVED BY	DATE
---	---
MATERIAL NO.	DOCUMENT NO.
SEE CHART	SD-19098-004
SIZE	
C	

SCALE	DESIGN UNITS	THIRD ANGLE PROJECTION
10:1	INCH	☉
TITLE		
SNAP SPADE TONGUE TERMINAL, 16-14 AWG		
MOLEX INCORPORATED		
SHEET NO.	1 OF 1	
THIS DRAWING CONTAINS INFORMATION THAT IS PROPRIETARY TO MOLEX INCORPORATED AND SHOULD NOT BE USED WITHOUT WRITTEN PERMISSION		