

**PLEASE CHECK WWW.MOLEX.COM FOR LATEST PART INFORMATION**

**Part Number:** **0191180058**  
**Status:** **Active**  
**Description:** Krimptite™ Flanged Spade Tongue Terminal for 14-16 AWG Wire, Stud Size 10

**Documents:**

[Drawing \(PDF\)](#) [RoHS Certificate of Compliance \(PDF\)](#)

**Agency Certification**

CSA LR18689  
 UL E32244

**General**

Product Family Ring and Spade Terminals  
 Series 19118  
 Crimp Quality Equipment Yes  
 Mil-Spec N/A  
 Product Name Krimptite™  
 Type Spade

**Physical**

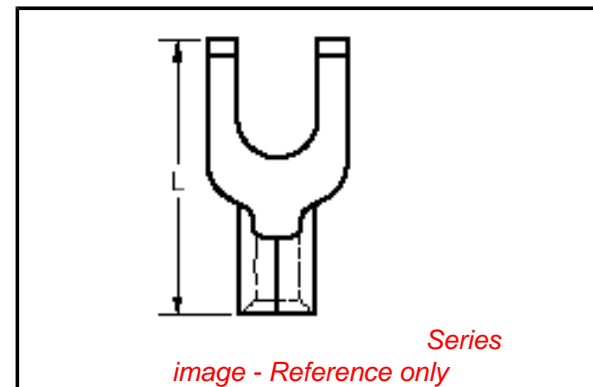
Barrel Type Closed  
 Insulation None  
 Material - Plating Mating Tin  
 Packaging Type Bag  
 Plating min: Mating (µin) 160  
 Plating min: Mating (µm) 4  
 Plating min: Termination (µin) 160  
 Plating min: Termination (µm) 4  
 Stud Size 10 (M5)  
 Wire Size AWG 14, 16  
 Wire Size mm² 1.00 - 2.50

**Material Info**

Old Part Number BB-116-10

**Reference - Drawing Numbers**

Sales Drawing SD-19118-001



**EU RoHS**

**ELV and RoHS  
 Compliant**

**REACH SVHC**

**Contains SVHC: No**

**Halogen-Free**

**Status**

**Halogen-Free**

**China RoHS**



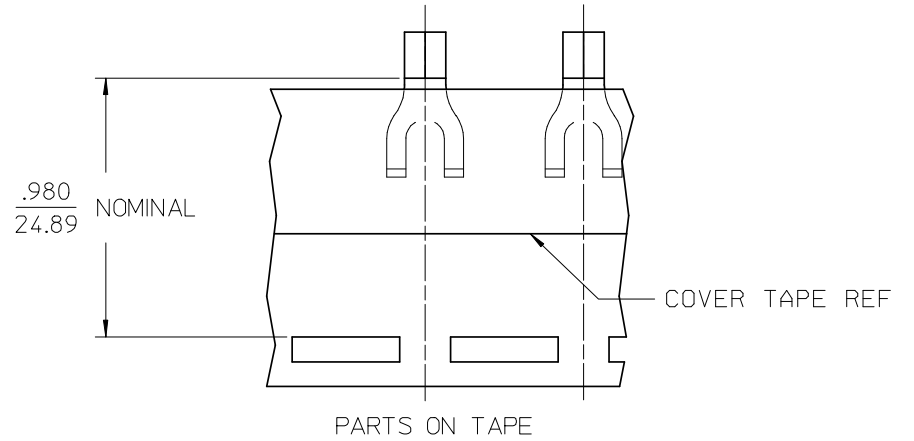
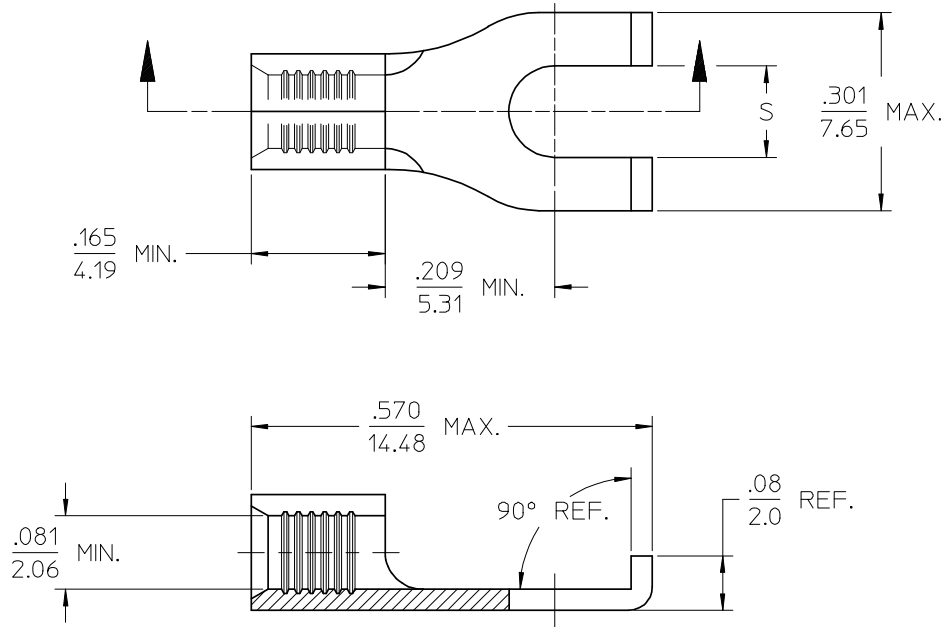
**Need more information on product  
 environmental compliance?**

Email [productcompliance@molex.com](mailto:productcompliance@molex.com)  
 For a multiple part number RoHS Certificate of  
 Compliance, [click here](#)

Please visit the [Contact Us](#) section for any  
 non-product compliance questions.

**Search Parts in this Series**  
 19118Series

LOOSE PIECE		TAPE MOUNTED			
MATERIAL NUMBER	ENGINEERING NUMBER	MATERIAL NUMBER	ENGINEERING NUMBER	STUD SIZE	S ±.005
191180054	BB-116-06	191180055	BB-116-06T	6	.146/3.71
191180056	BB-116-08	191180057	BB-116-08T	8	.173/4.39
191180058	BB-116-10	191180059	BB-116-10T	10	.198/5.03



## SALES DRAWING

### NOTES:

1. MATERIAL: COPPER .031/.79 THICK
2. PLATING: ELECTRO-TIN
3. PART IS RoHS COMPLIANT

RELEASED TO PROD. EC NO: ETC2008-0012 DRWN: RSTONE 2007/11/26 CHKD: JMACNEIL 2007/11/26 APPR: JMACNEIL 2007/12/05	QUALITY SYMBOLS ▽=0 ∇=0	GENERAL TOLERANCES (UNLESS SPECIFIED)		DIMENSION STYLE	SCALE	DESIGN UNITS	THIRD ANGLE PROJECTION	
				IN/MM	---	INCH		
		4 PLACES	±---	±---	DRAWN BY	DATE	TITLE	
		3 PLACES	±---	±.005	K0	1984/10/18	FLANGED SPADE TONGUE KRIMPTITE 16-14 AWG, SHORT BARREL	
2 PLACES	±0.13	±.01	CHECKED BY	DATE				
1 PLACE	±0.25	±---	GZ	1984/10/23				
		ANGULAR ±---°	APPROVED BY	DATE				
			GZ	1984/10/23				
		DRAFT WHERE APPLICABLE MUST REMAIN WITHIN DIMENSIONS	MATERIAL NO.	DOCUMENT NO.	SHEET NO.			
			SEE CHART	SD-19118-001	1 OF 1			
			SIZE B	THIS DRAWING CONTAINS INFORMATION THAT IS PROPRIETARY TO MOLEX INCORPORATED AND SHOULD NOT BE USED WITHOUT WRITTEN PERMISSION				