

### Features

- Output voltage: 3.3V, 5V, 12V and adjustable output version
- Adjustable version output voltage range, 1.23V to 37V $\pm$ 4%
- 150KHz  $\pm$ 15% fixed switching frequency
- Voltage mode non-synchronous PWM control
- Thermal-shutdown and current-limit protection
- ON/OFF shutdown control input
- Operating voltage can be up to 40V
- Output load current: 5A
- Low power standby mode
- Built-in switching transistor on chip
- Lead Free packages: TO263-5L and TO220-5L(R)
- TO263-5L and TO220-5L(R): Available in "Green" Molding Compound (No Br, Sb)
- Lead Free Finish/ RoHS Compliant (Note 1)

### General Description

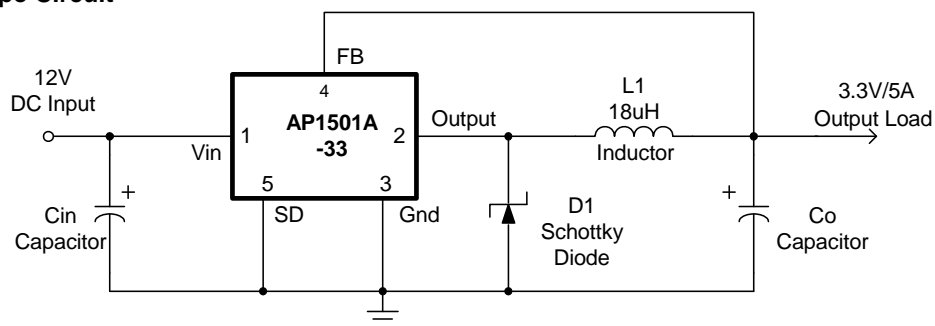
The AP1501A series are monolithic ICs that are designed for a step-down DC/DC converter, and possess the ability to drive a 5A load without additional transistor component. Due to reducing the number of external component, the board space can be saved easily. The external shutdown function can be controlled by logic level and then come into standby mode. The internal compensation makes feedback control have good line and load regulation without external design. Regarding protected function, thermal shutdown is to prevent over temperature operating from damage, and current limit is against over current operating of the output switch. The AP1501A series operates at a switching frequency of 150KHz thus allowing smaller sized filter components than what would be needed with lower frequency switching regulators. Other features include a guaranteed  $\pm$ 4% tolerance on output voltage under specified input voltage and output load conditions, and  $\pm$ 15% on the oscillator frequency. The output version includes fixed 3.3V, 5V, 12V, and an adjustable type. The packages are available in a standard 5-lead TO263 and TO220 packages.

### Applications

- Simple High-efficiency step-down regulator
- On-card switching regulators
- Positive to negative converter

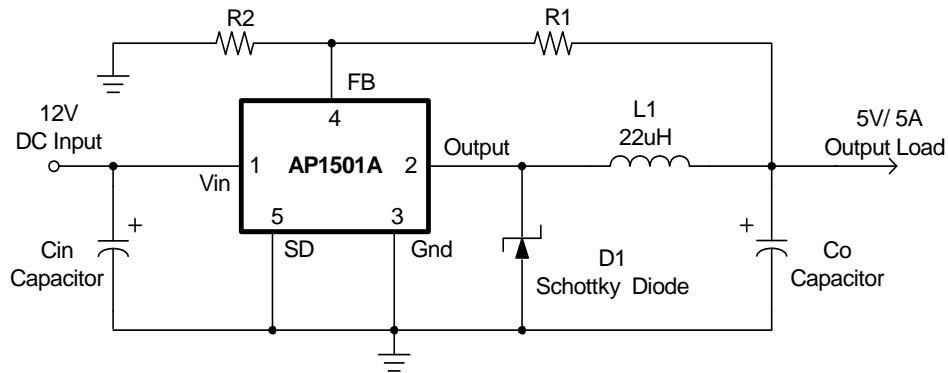
### Typical Application Circuit

#### (1) Fixed Type Circuit



**Typical Application Circuit (Continued)**

**(2) Adjustable Type Circuit**

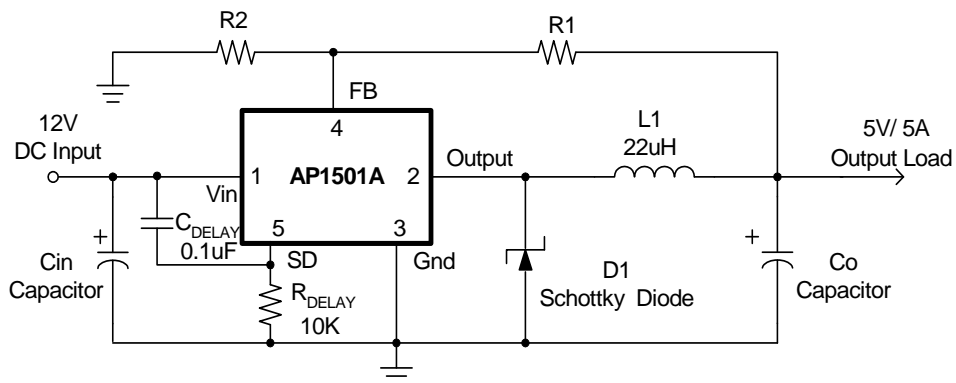


$$V_{out} = V_{FB} \times \left(1 + \frac{R1}{R2}\right)$$

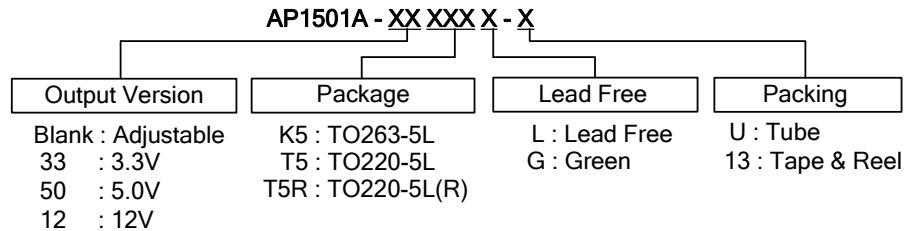
$$V_{FB} = 1.23V$$

$$R2 = 1K \sim 3K$$

**(3) Delay Start Circuit**



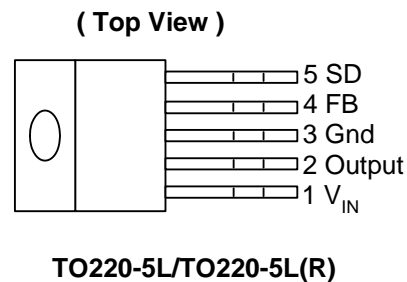
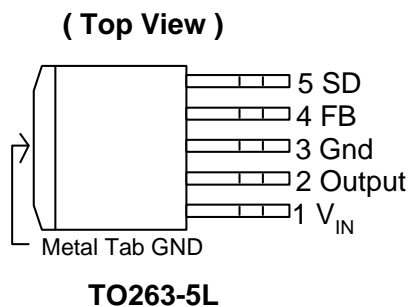
### Ordering Information



Device	Package Code	Packaging (Note 2)	Tube		13" Tape and Reel	
			Quantity	Part Number Suffix	Quantity	Part Number Suffix
AP1501A-XXK5L-U	K5	TO263-5L	50	-U	NA	NA
AP1501A-XXK5L-13	K5	TO263-5L	NA	NA	800/Tape & Reel	-13
AP1501A-XXK5G-U	K5	TO263-5L	50	-U	NA	NA
AP1501A-XXK5G-13	K5	TO263-5L	NA	NA	800/Tape & Reel	-13
AP1501A-XXT5L-U	T5	TO220-5L	50	-U	NA	NA
AP1501A-XXT5G-U	T5	TO220-5L	50	-U	NA	NA
AP1501A-XXT5RL-U	T5R	TO220-5L(R)	50	-U	NA	NA
AP1501A-XXT5RG-U	T5R	TO220-5L(R)	50	-U	NA	NA

Notes: 1. EU Directive 2002/95/EC (RoHS). All applicable RoHS exemptions applied. Please visit our website at [http://www.diodes.com/products/lead\\_free.html](http://www.diodes.com/products/lead_free.html)  
 2. Pad layout as shown on Diodes Inc. suggested pad layout document AP02001, which can be found on our website at <http://www.diodes.com/datasheets/ap02001.pdf>.

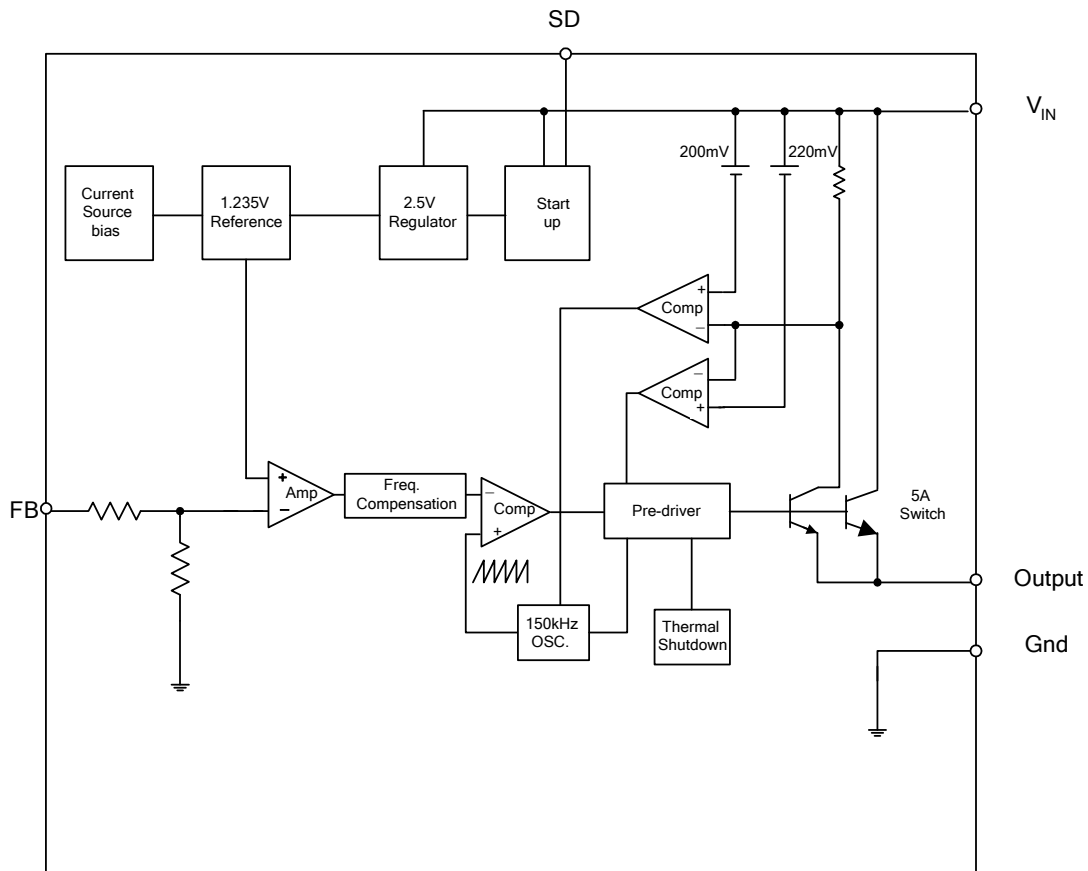
### Pin Assignments



**Pin Descriptions**

Name	Description
V <sub>IN</sub>	Operating voltage input
Output	Switching output
Gnd	Ground
FB	Output voltage feedback control
SD	ON/OFF shutdown

**Block Diagram**



---

**Absolute Maximum Ratings**

---

Symbol	Parameter	Rating	Unit
ESD MM	Machine Model ESD Protection	400	V
V <sub>CC</sub>	Supply Voltage	+45	V
V <sub>SD</sub>	ON/OFF Pin input voltage	-0.3 to +40	V
V <sub>FB</sub>	Feedback Pin voltage	-0.3 to +40	V
V <sub>OUT</sub>	Output voltage to Ground	-1	V
P <sub>D</sub>	Power dissipation	Internally limited	W
T <sub>ST</sub>	Storage temperature	-65 to +150	°C
T <sub>J</sub>	Operating Junction Temperature	-20 to +125	°C

---

**Recommended Operating Conditions**

---

Symbol	Parameter	Rating	Units
V <sub>OP</sub>	Operating voltage	4.5 to 40	V
T <sub>A</sub>	Operating Ambient Temperature	-20 to 85	°C

### Electrical Characteristics ( All Output Voltage Versions )

Unless otherwise specified,  $V_{IN} = 12V$  for 3.3V, 5V, adjustable version and  $V_{IN} = 24V$  for the 12V version.  $I_{LOAD} = 0.5A$   
 Specifications with **boldface type** are for full operating temperature range, the other type are for  $T_J = 25^\circ C$ .

Symbol	Parameter	Conditions	Min	Typ.	Max	Unit
$I_{FB}$	Feedback Bias Current	$V_{FB} = 1.3V$ (Adjustable version only)		40	60 100	nA
$F_{OSC}$	Oscillator Frequency		127 <b>110</b>	150	173 <b>173</b>	Khz
$V_{SAT}$	Saturation Voltage	$I_{OUT} = 5A$ no outside circuit $V_{FB} = 0V$ force driver on		1.5	1.6 <b>1.7</b>	V
DC	Max. Duty Cycle(ON)	$V_{FB} = 0V$ force driver on		100		%
	Min. Duty Cycle(OFF)	$V_{FB} = 12V$ force driver off		0		
$I_{CL}$	Current Limit	peak current no outside circuit $V_{FB} = 0$ force driver on	5.5	6.0	6.5 <b>7.5</b>	A
$I_L$	Output = 0V	Output Leakage Current no outside circuit $V_{FB} = 12$ force driver off (Note 3)			200	uA
	Output = -1V	Current $V_{IN} = 40V$		2	60	mA
$I_Q$	Quiescent Current	$V_{FB} = 12$ force driver off		5	10	mA
$I_{STBY}$	Standby Quiescent Current	ON/OFF pin = 5V $V_{IN} = 40V$		150	250 <b>300</b>	uA
$V_{IL}$	ON/OFF Pin Logic Input Threshold Voltage	Low (regulator ON)		1.3	0.6	V
$V_{IH}$		High (regulator OFF)	2.0			
$I_H$	ON/OFF Pin Logic Input Current	$V_{LOGIC} = 2.5V$ (OFF)		15	25	uA
$I_L$	ON/OFF Pin Input Current	$V_{LOGIC} = 0.5V$ (ON)		0.02	5	
$\theta_{JA}$	Thermal Resistance Junction-to-Ambient	TO263-5L (Note 4)		37		$^\circ C/W$
		TO220-5L(R) (Note 4)		31		
$\theta_{JC}$	Thermal Resistance Junction-to-Case	TO263-5L (Note 4)		6		$^\circ C/W$
		TO220-5L(R) (Note 4)		5		

Notes: 3. Feedback pin removed from output and connected to 0V to force the output transistor switch ON. Feedback pin removed from output and connected to 12V for the 3.3V, 5V, and the ADJ. version, and 15V for the 12V version, to force the output transistor switch OFF.  
 4. Test condition: Device mounted with copper area of approximately  $3in^2$ , 1oz, no air flow.

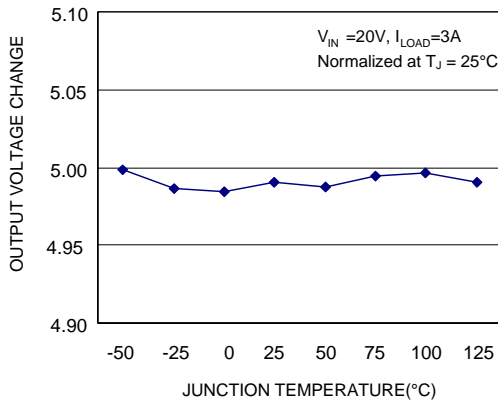
### Electrical Characteristics (Continued)

Specifications with **boldface type** are for full operating temperature range, the other type are for  $T_J = 25^\circ\text{C}$ .

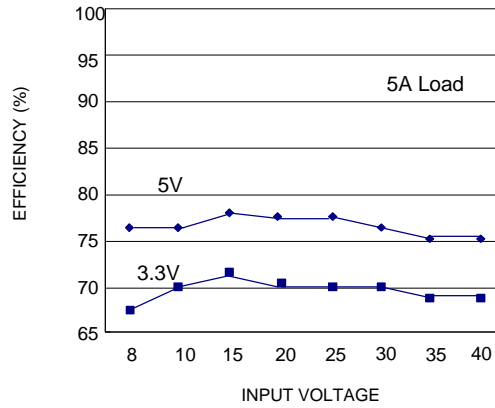
	Symbol	Parameter	Conditions	Typ.	Limit	Unit
AP1501A-ADJ	$V_{FB}$	Output Feedback	$5V \leq V_{IN} \leq 40V$ $0.2A \leq I_{LOAD} \leq 5A$ $V_{OUT}$ programmed for 3V	1.23	1.193/ <b>1.18</b> 1.267/ <b>1.28</b>	V $V_{MIN}$ $V_{MAX}$
	$\eta$	Efficiency	$V_{IN} = 12V, I_{LOAD} = 5A$	72		%
AP1501A-3.3V	$V_{OUT}$	Output Voltage	$5.5V \leq V_{IN} \leq 40V$ $0.2A \leq I_{LOAD} \leq 5A$	3.3	3.168/ <b>3.135</b> 3.432/ <b>3.465</b>	V $V_{MIN}$ $V_{MAX}$
	$\eta$	Efficiency	$V_{IN} = 12V, I_{LOAD} = 5A$	71		%
AP1501A-5V	$V_{OUT}$	Output Voltage	$8V \leq V_{IN} \leq 40V$ $0.2A \leq I_{LOAD} \leq 5A$	5	4.8/ <b>4.75</b> 5.2/ <b>5.25</b>	V $V_{MIN}$ $V_{MAX}$
	$\eta$	Efficiency	$V_{IN} = 12V, I_{LOAD} = 5A$	78		%
AP1501A-12V	$V_{OUT}$	Output Voltage	$15V \leq V_{IN} \leq 40V$ $0.2A \leq I_{LOAD} \leq 5A$	12	11.52/ <b>11.4</b> 12.48/ <b>12.6</b>	V $V_{MIN}$ $V_{MAX}$
	$\eta$	Efficiency	$V_{IN} = 16V, I_{LOAD} = 5A$	88		%

**Typical Performance Characteristics**

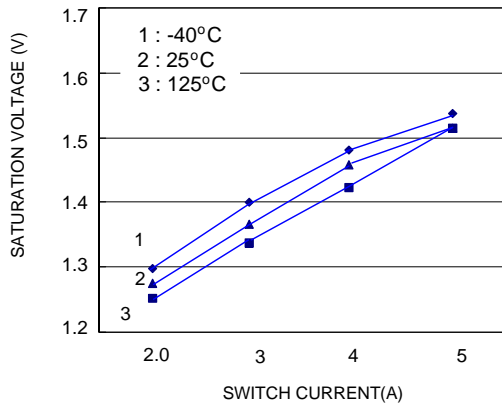
**Typical Performance Characteristics  
Normalized Output Voltage**



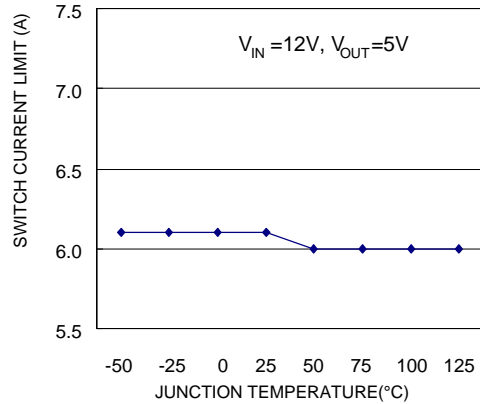
**Efficiency**



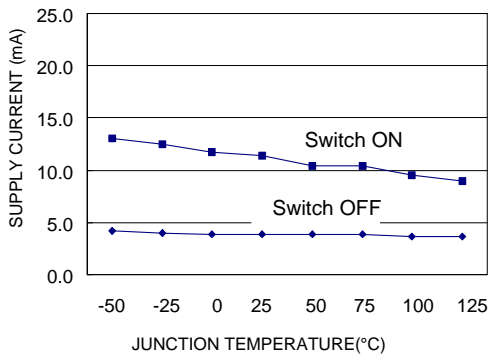
**Switch Saturation Voltage**



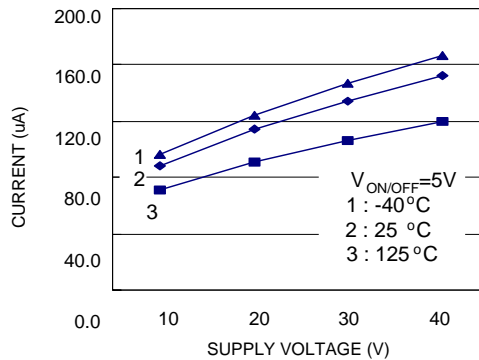
**Switch Current Limit**



**Operating Quiescent Current**



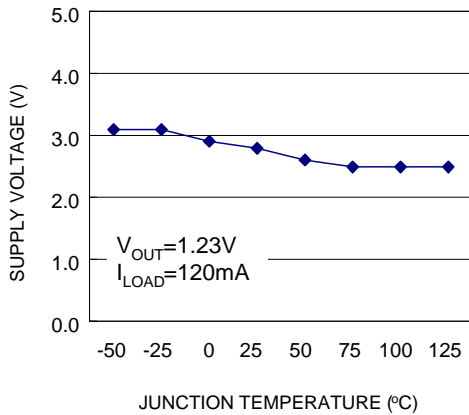
**Shutdown Quiescent Current**



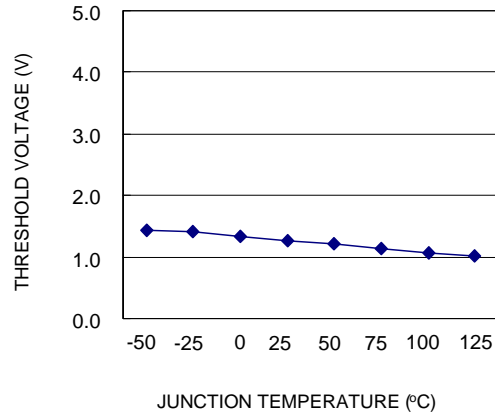


**Typical Performance Characteristics (Continued)**

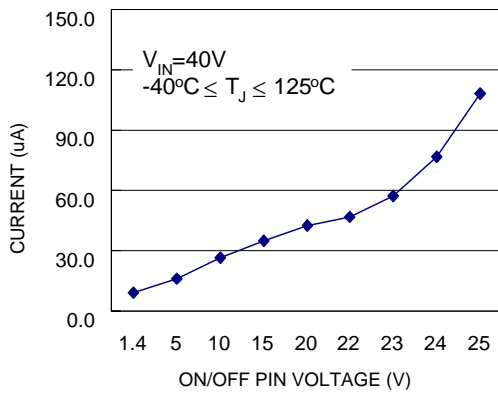
**Minimum Operating Supply Voltage**



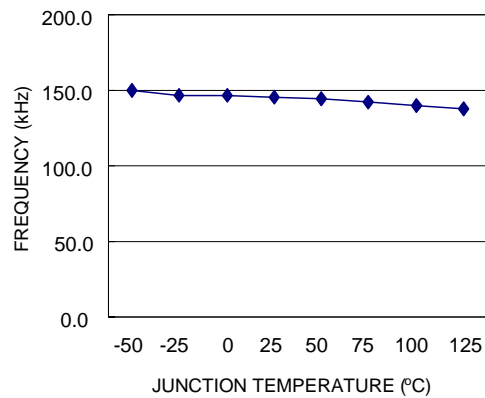
**ON/OFF Threshold Voltage**



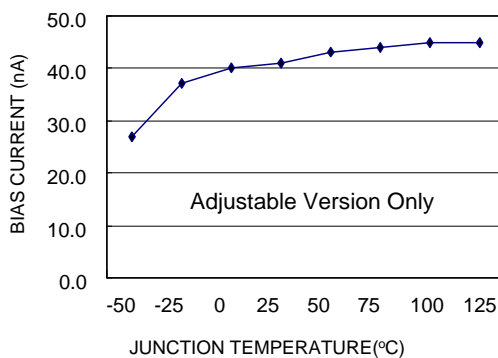
**ON/OFF Pin Current (Sinking)**



**Switch Frequency**



**Feedback Pin Bias Current**



---

## Functional Description

---

### Pin Functions

#### +V<sub>IN</sub>

This is the positive input supply for the IC switching regulator. A suitable input bypass capacitor must be present at this pin to minimize voltage transients and to supply the switching currents needed by the regulator.

#### Ground

Circuit ground.

#### Output

Internal switch. The voltage at this pin switches between (+V<sub>IN</sub> - V<sub>SAT</sub>) and approximately -0.5V, with a duty cycle of approximately V<sub>OUT</sub> / V<sub>IN</sub>. To minimize coupling to sensitive circuitry, the PC board copper area connected to this pin should be kept a minimum.

#### Feedback

Senses the regulated output voltage to complete the feedback loop.

#### ON/OFF

Allows the switching regulator circuit to be shutdown using logic level signals thus dropping the total input supply current to approximately 150uA. Pulling this pin below a threshold voltage of approximately 1.3V turns the regulator on, and pulling this pin above 1.3V (up to a maximum of 40V) shuts the regulator down. If this shutdown feature is not needed, the ON/OFF pin can be wired to the ground pin or it can be left open, in either case the regulator will be in the ON condition.

#### Thermal Considerations

The AP1501A is available in two packages, a 5-pin surface mount TO-263 and TO-220.

The TO-220 package needs a heat sink under most conditions. The size of the heat sink depends on the input voltage, the output voltage, the load current and the ambient temperature. The AP1501A junction temperature rises above ambient temperature for a 5A load and different input and output voltages. The data for these curves was taken with the AP1501A (TO-220 package) operating as a buck switching regulator in an ambient temperature of 25°C (still air). These temperature rise numbers are all approximate and there are many factors that can affect these temperatures. Higher ambient temperatures require more heat sinking.

The TO-263 surface mount package tab is designed to be soldered to the copper on a printed circuit board. The copper and the board are the heat sink for this package and the other heat producing components, such as the catch diode and inductor. The PC board copper area that the package is soldered to should be at least 0.8 in<sup>2</sup>, and ideally should have 2 or more square inches of 2 oz. Additional copper area improves the thermal characteristics, but with copper areas greater than approximately 6 in<sup>2</sup>, only small improvements in heat dissipation are realized. If further thermal improvements are needed, double sided, multilayer PC boards with large copper areas and/or airflow are recommended.

The AP1501A (TO-263 package) junction temperature rise above ambient temperature with a 2A load for various input and output voltages. This data was taken with the circuit operating as a buck switching regulator with all components mounted on a PC board to simulate the junction temperature under actual operating conditions. This curve can be used for a quick check for the approximate junction temperature for various conditions, but be aware that there are many factors that can affect the junction temperature. When load currents higher than 3A are used, double sided or multilayer PC boards with large copper areas and/or airflow might be needed, especially for high ambient temperatures and high output voltages.

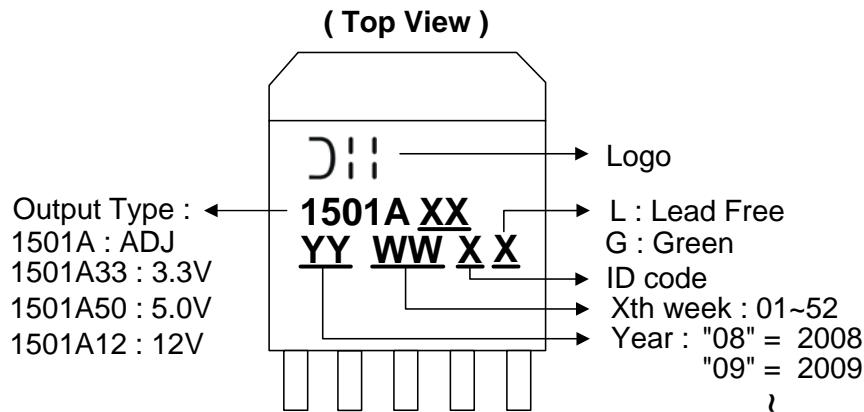
For the best thermal performance, wide copper traces and generous amounts of printed circuit board copper should be used in the board layout. (Once exception to this is the output (switch) pin, which should not have large areas of copper.) Large areas of copper provide the best transfer of heat (lower thermal resistance) to the surrounding air, and moving air lowers the thermal resistance even further.

Package thermal resistance and junction temperature rise numbers are all approximate, and there are many factors that will affect these numbers. Some of these factors include board size, shape, thickness, position, location, and even board temperature. Other factors are, trace width, total printed circuit copper area, copper thickness, single or double-sided, multilayer board and the amount of solder on the board. The effectiveness of the PC board to dissipate heat also depends on the size, quantity and spacing of other components on the board, as well as whether the surrounding air is still or moving.

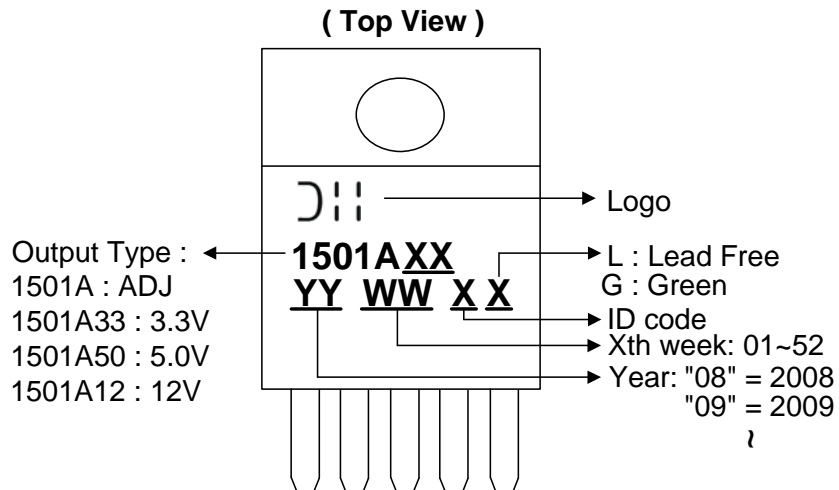
Furthermore, some of these components such as the catch diode will add heat to the PC board and the heat can vary as the input voltage changes. For the inductor, depending on the physical size, type of core material and the DC resistance, it could either act as a heat sink taking heat away from the board, or it could add heat to the board.

**Marking Information**

(1) TO263-5L

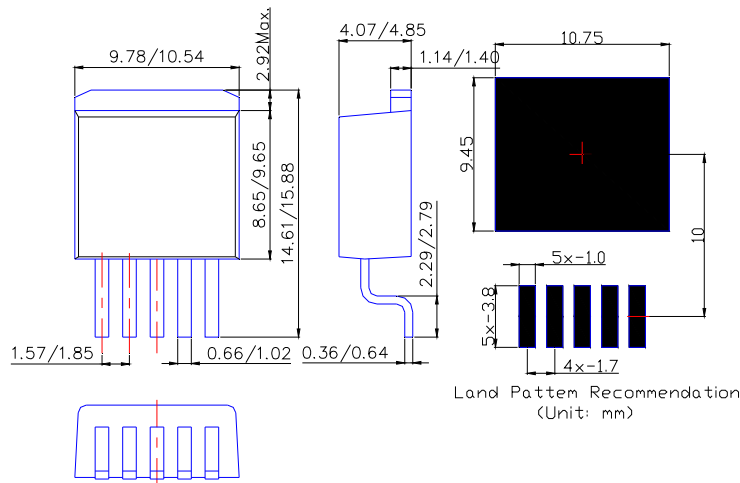


(2) TO220-5L(R)

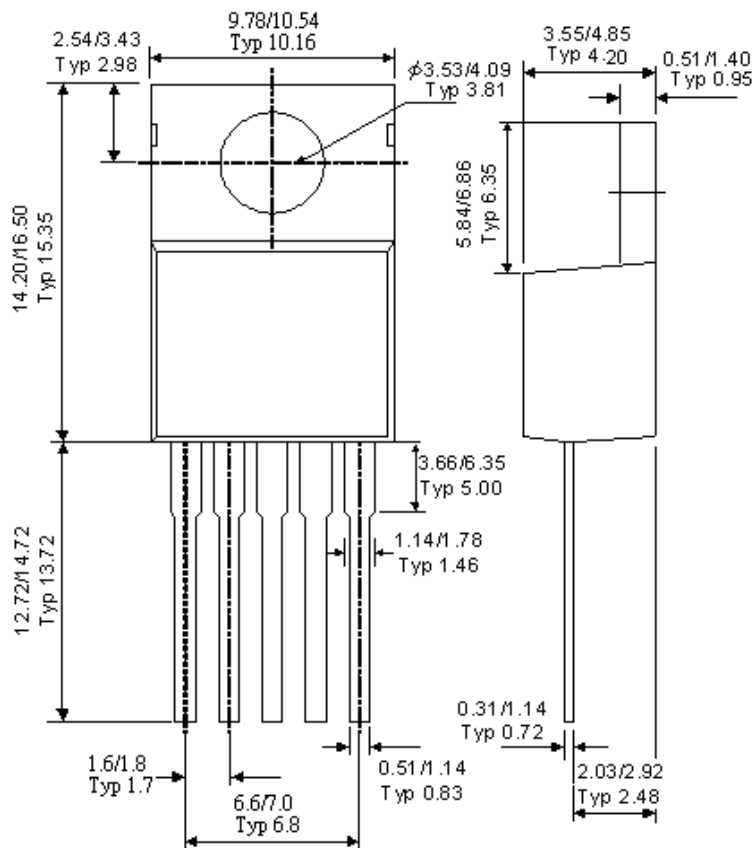


**Package Information (All Dimensions in mm)**

**(1) Package Type: TO263-5L**

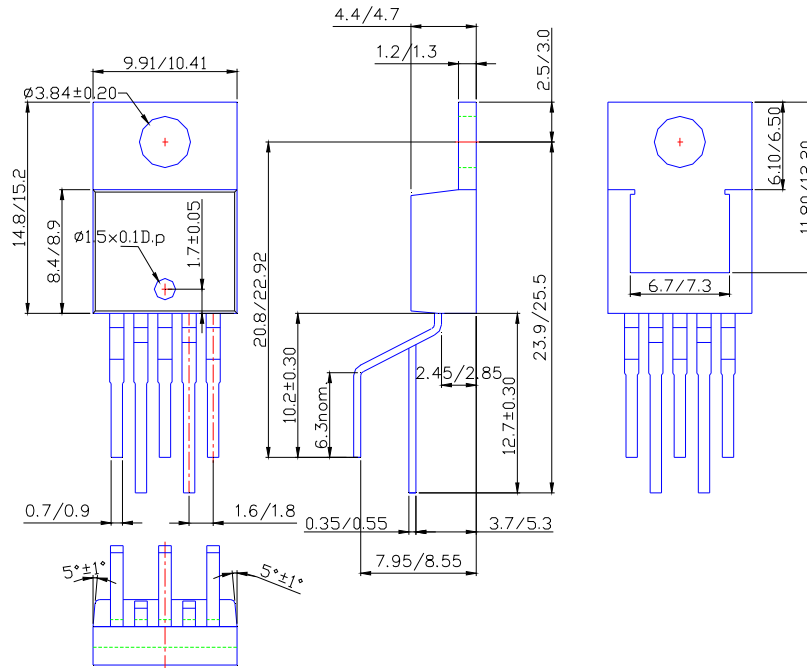


**(2) Package Type: TO220-5L**



**Package Information (Continued)**

**(3) Package Type: TO220-5L(R) Mechanical drawing**



**IMPORTANT NOTICE**

DIODES INCORPORATED MAKES NO WARRANTY OF ANY KIND, EXPRESS OR IMPLIED, WITH REGARDS TO THIS DOCUMENT, INCLUDING, BUT NOT LIMITED TO, THE IMPLIED WARRANTIES OF MERCHANTABILITY AND FITNESS FOR A PARTICULAR PURPOSE (AND THEIR EQUIVALENTS UNDER THE LAWS OF ANY JURISDICTION).

Diodes Incorporated and its subsidiaries reserve the right to make modifications, enhancements, improvements, corrections or other changes without further notice to this document and any product described herein. Diodes Incorporated does not assume any liability arising out of the application or use of this document or any product described herein; neither does Diodes Incorporated convey any license under its patent or trademark rights, nor the rights of others. Any Customer or user of this document or products described herein in such applications shall assume all risks of such use and will agree to hold Diodes Incorporated and all the companies whose products are represented on Diodes Incorporated website, harmless against all damages.

Diodes Incorporated does not warrant or accept any liability whatsoever in respect of any products purchased through unauthorized sales channel.

Should Customers purchase or use Diodes Incorporated products for any unintended or unauthorized application, Customers shall indemnify and hold Diodes Incorporated and its representatives harmless against all claims, damages, expenses, and attorney fees arising out of, directly or indirectly, any claim of personal injury or death associated with such unintended or unauthorized application.

Products described herein may be covered by one or more United States, international or foreign patents pending. Product names and markings noted herein may also be covered by one or more United States, international or foreign trademarks.

**LIFE SUPPORT**

Diodes Incorporated products are specifically not authorized for use as critical components in life support devices or systems without the express written approval of the Chief Executive Officer of Diodes Incorporated. As used herein:

- A. Life support devices or systems are devices or systems which:
1. are intended to implant into the body, or
  2. support or sustain life and whose failure to perform when properly used in accordance with instructions for use provided in the labeling can be reasonably expected to result in significant injury to the user.
- B. A critical component is any component in a life support device or system whose failure to perform can be reasonably expected to cause the failure of the life support device or to affect its safety or effectiveness.

Customers represent that they have all necessary expertise in the safety and regulatory ramifications of their life support devices or systems, and acknowledge and agree that they are solely responsible for all legal, regulatory and safety-related requirements concerning their products and any use of Diodes Incorporated products in such safety-critical, life support devices or systems, notwithstanding any devices- or systems-related information or support that may be provided by Diodes Incorporated. Further, Customers must fully indemnify Diodes Incorporated and its representatives against any damages arising out of the use of Diodes Incorporated products in such safety-critical, life support devices or systems.

Copyright © 2009, Diodes Incorporated

[www.diodes.com](http://www.diodes.com)