

**PLEASE CHECK WWW.MOLEX.COM FOR LATEST PART INFORMATION**

**Part Number:** [5033673200](#)  
**Status:** **Active**  
**Description:** 2.50mm (.098") Pitch Floating Wire-to-Board PCB Receptacle, Dual Row, Through Hole, Vertical, with Peg, 32 Circuits

**Documents:**

[3D Model](#) [Product Specification PS-503367-001 \(PDF\)](#)  
[Drawing \(PDF\)](#) [RoHS Certificate of Compliance \(PDF\)](#)

**General**

Product Family	PCB Receptacles
Series	<a href="#">503367</a>
Application	Wire-to-Board
Product Name	N/A

**Physical**

Circuits (Loaded)	32
Color - Resin	Black
Durability (mating cycles max)	100
Glow-Wire Compliant	No
Keying to Mating Part	Yes
Mated Height (in)	1.299 In
Mated Height (mm)	33.00 mm
Material - Metal	Copper Alloy
Material - Plating Mating	Gold
Material - Plating Termination	Tin
Number of Rows	2
Orientation	Vertical
PCB Locator	Yes
PCB Retention	Yes
PCB Thickness Recommended (in)	0.062 In
PCB Thickness Recommended (mm)	1.60 mm
Packaging Type	Tray
Pitch - Mating Interface (in)	0.098 In
Pitch - Mating Interface (mm)	2.50 mm
Polarized to Mating Part	Yes
Polarized to PCB	Yes
Temperature Range - Operating	-25°C to +85°C
Termination Interface: Style	Through Hole

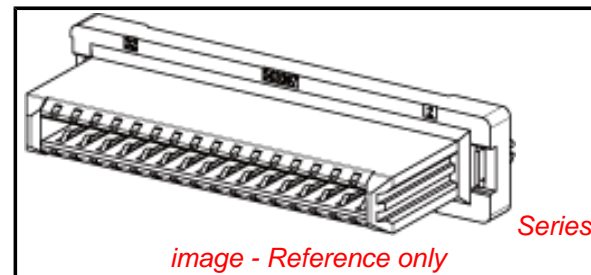
**Electrical**

Current - Maximum per Contact	3A
Voltage - Maximum	250V AC (RMS)/DC

**Material Info**

**Reference - Drawing Numbers**

Application Specification	AS-503367-001
Product Specification	PS-503367-001
Sales Drawing	SD-503367-001



**EU RoHS**

**ELV and RoHS  
Compliant**  
**REACH SVHC  
Not Reviewed**  
**Halogen-Free  
Status**

**China RoHS**



**Not Reviewed**

**Need more information on product  
environmental compliance?**

Email [productcompliance@molex.com](mailto:productcompliance@molex.com)  
For a multiple part number RoHS Certificate of Compliance, [click here](#)

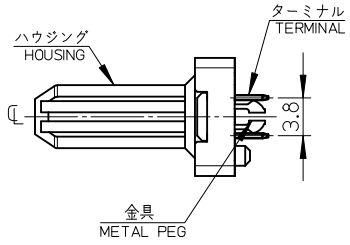
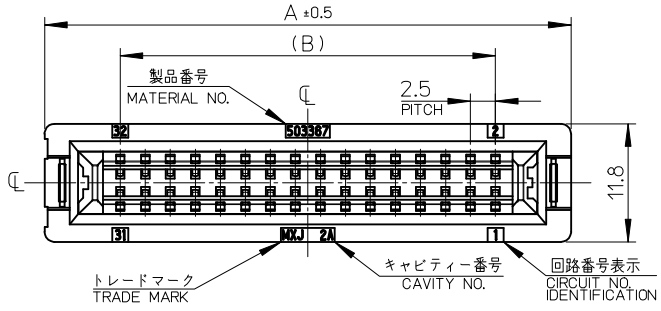
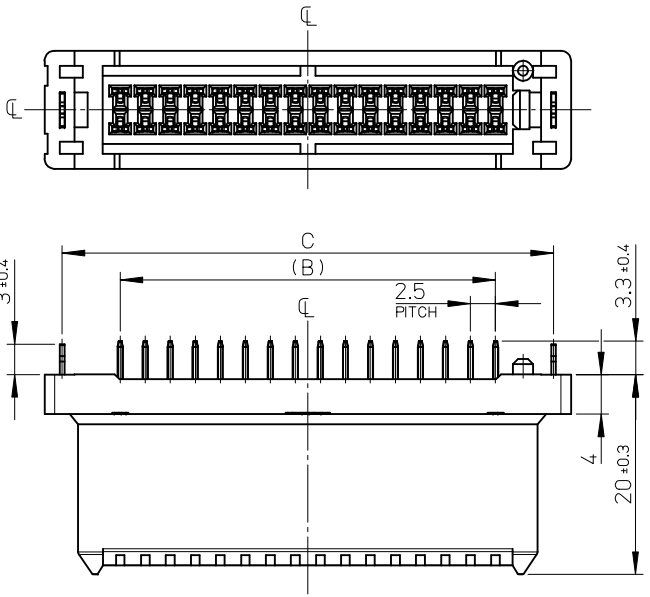
Please visit the [Contact Us](#) section for any non-product compliance questions.

**Search Parts in this Series**

[503367Series](#)

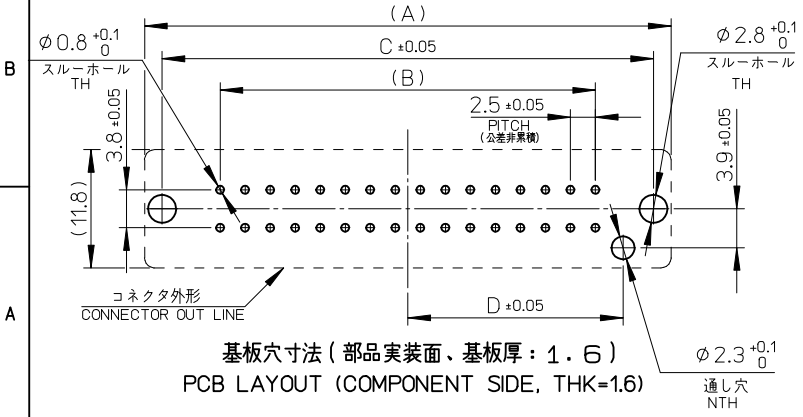
**Mates With**

[503369 Plug Housing](#) . [503370 Plug Terminal](#) . [503371Plug Adaptor](#)



注記:  
NOTES

1. 材質 MATERIAL  
ハウジング: ポリブチレンテレフタレート (PBT)、ガラス充填、UL94V-0、黒色  
HOUSING: POLYBUTYLENE TEREPHTHALATE (PBT), GLASS FILLED, UL94V-0, BLACK  
ターミナル: 銅合金 (t=0.5)  
TERMINAL: COPPER ALLOY (t=0.5)  
金具: りん青銅 (t=0.48)  
METAL PEG: PHOSPHOR BRONZE (t=0.48)
2. メッキ仕様 FINISHES  
ターミナル TERMINAL  
接点部: ニッケル下地金メッキ  
CONTACT AREA: GOLD OVER NICKEL PLATING.  
金メッキ 0.1マイクロメートル以上  
GOLD 0.1 MICROMETERS MINIMUM  
ニッケル下地メッキ 1.0マイクロメートル以上  
NICKEL 1.0 MICROMETERS MINIMUM  
半田付け部: ニッケル下地メッキ  
SOLDER TAIL: TIN OVER NICKEL PLATING  
錫メッキ 1.0マイクロメートル以上  
TIN 1.0 MICROMETERS MINIMUM  
ニッケル下地メッキ 1.0マイクロメートル以上  
NICKEL 1.0 MICROMETERS MINIMUM  
金具: ニッケル下地メッキ  
METAL PEG: TIN OVER NICKEL PLATING  
錫メッキ 1.0マイクロメートル以上  
TIN 1.0 MICROMETERS MINIMUM  
ニッケル下地メッキ 1.0マイクロメートル以上  
NICKEL 1.0 MICROMETERS MINIMUM
3. 嵌合相手: 503369-\*\*00  
MATING CONNECTOR: 503369-\*\*00
4. 回路番号 1, 2: (N-1), N極目に適用 (N: 極数).  
APPLICABLE TO CIRCUITS NO. 1, 2, N-1 AND N (N: CIRCUITS SIZE).
5. 回路番号 3~(N-2) 極目に適用 (N: 極数).  
APPLICABLE TO CIRCUITS NO. 3-N-2 (N: CIRCUITS SIZE).
6. 製品仕様及び取り扱いについては、製品仕様書 PS-503367-001 及び、コネクタ取扱説明書 AS-503367-001 を参照願います。  
PLEASE REFER TO PRODUCTS SPECIFICATION PS-503367-001 AND USER'S MANUAL AS-503367-001.
7. ELV及びRoHS適合品。  
ELV AND RoHS COMPLIANT.

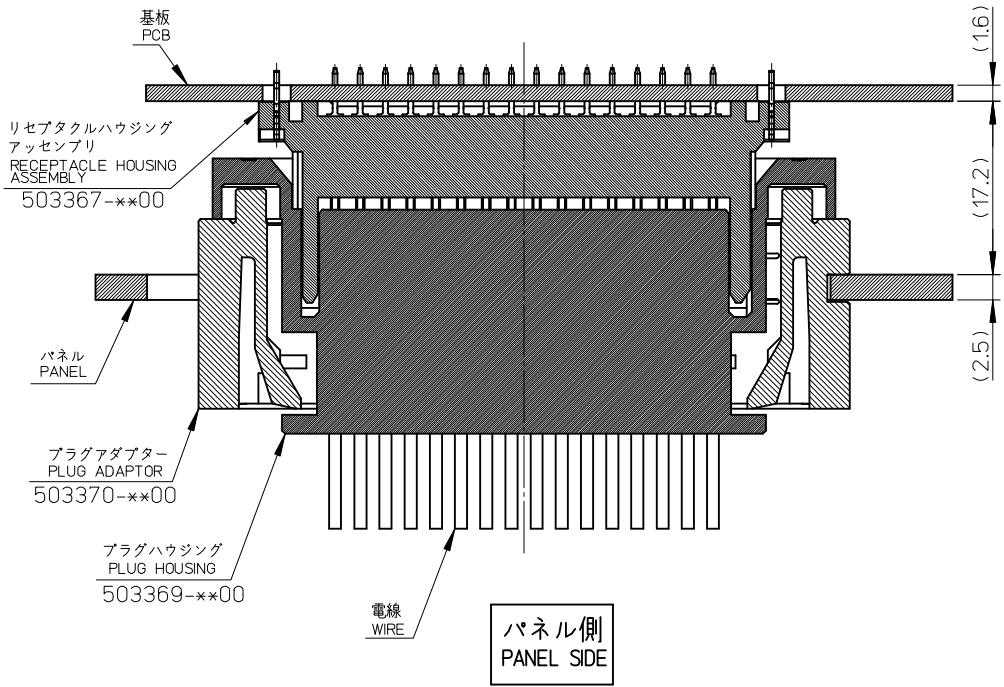


21.5	49.1	37.5	52.6	503367-3200	503367-**00	32
14	34.1	22.5	37.6	503367-2000		20
D	C	B	A	TRAY PACKAGE	MODEL NO.	極数 CIRCUITS
				オーダー番号 ORDER No.		

RELEASED EC NO: J2009-2286 DRAWN: KWASHIO 2009/04/15 CHKD: SSA003 2009/04/15 APPR: SICHIKAWA 2009/04/15	GENERAL TOLERANCES (UNLESS SPECIFIED)		DIMENSION STYLE	SCALE	DESIGN UNITS	THIRD ANGLE PROJECTION
			MM ONLY	2:1	METRIC	
	DESCRIPTION	10 UNDER	±0.2	DRAWN BY	DATE	TITLE
		10 OVER 30 UNDER	±0.25	KKOBAYASHI	09/04/15	2.5 FLOATING CONN. REC. HS'G ASS'Y
		30 OVER	±0.3	CHECKED BY	DATE	
	ANGULAR	±3°	SSAT003	09/04/15		
REV	DRAFT WHERE APPLICABLE MUST REMAIN WITHIN DIMENSIONS		APPROVED BY	DATE	MOLEX INCORPORATED	
0			SICHIKAWA	09/04/15		
			MATERIAL NO.	DOCUMENT NO.		
			SEE CHART		SD-503367-001	SHEET NO. 1 OF 2
			SIZE	THIS DRAWING CONTAINS INFORMATION THAT IS PROPRIETARY TO MOLEX INCORPORATED AND SHOULD NOT BE USED WITHOUT WRITTEN PERMISSION		
			A3			

10 9 8 7 6 5 4 3 2 1

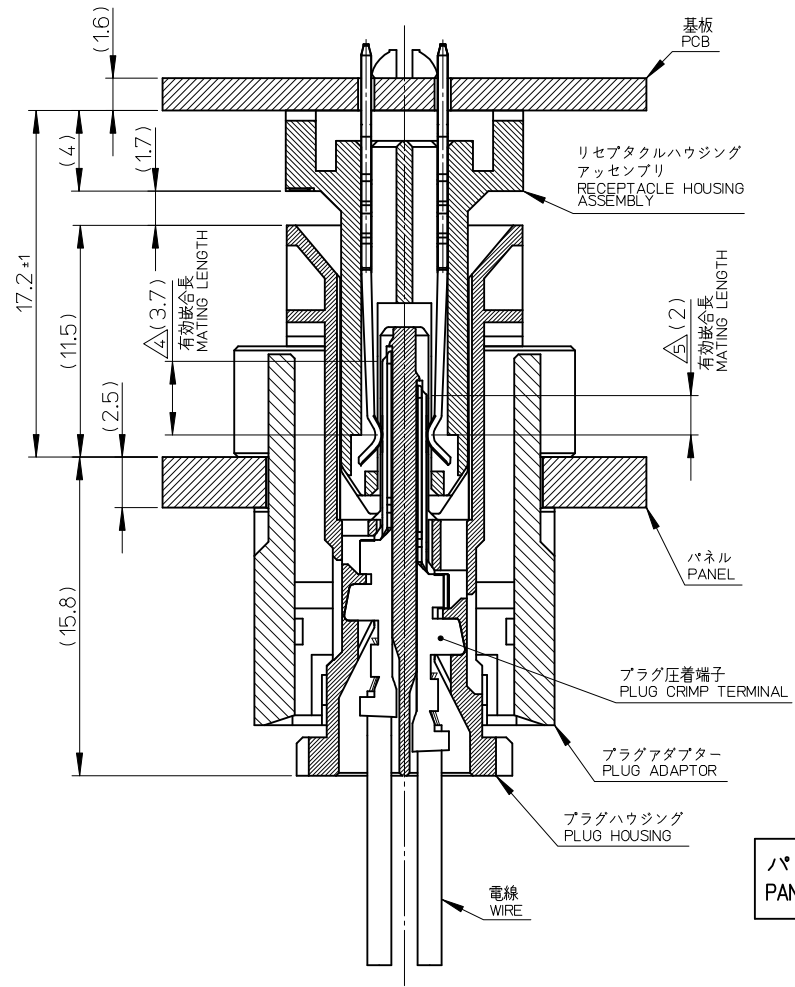
基板側  
PCB SIDE



パネル側  
PANEL SIDE

嵌合図

基板側  
PCB SIDE



パネル側  
PANEL SIDE

Scale 4:1

RELEASED EC NO.: J2009-2286 DRWN: KWASHIO 2009/04/15 CHKD: SSAT003 2009/04/15 APPR: SICHIKAWA 2009/04/15 O	GENERAL TOLERANCES (UNLESS SPECIFIED)		DIMENSION STYLE MM ONLY	SCALE 2:1	DESIGN UNITS METRIC	THIRD ANGLE PROJECTION
	10 UNDER	± 0.2	DRAWN BY KKOBAYASHI	DATE 09/04/15	TITLE 2.5 FLOATING CONN. REC. HS'G ASS'Y	
	10 OVER 30 UNDER	± 0.25	CHECKED BY SSAT003	DATE 09/04/15	MOLEX INCORPORATED DOCUMENT NO. SD-503367-001 SHEET NO. 2 OF 2	
	30 OVER	± 0.3	APPROVED BY SICHIKAWA	DATE 09/04/15		
	ANGULAR	± 3 °	MATERIAL NO. SEE SHEET 1 OF 2	THIS DRAWING CONTAINS INFORMATION THAT IS PROPRIETARY TO MOLEX INCORPORATED AND SHOULD NOT BE USED WITHOUT WRITTEN PERMISSION		
DRAFT WHERE APPLICABLE MUST REMAIN WITHIN DIMENSIONS		SIZE A3				