



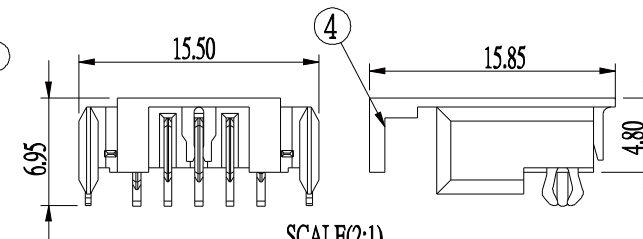
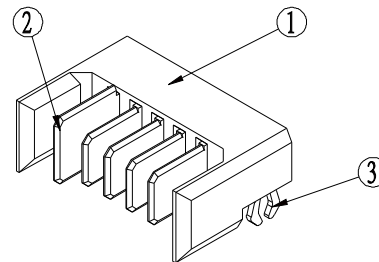
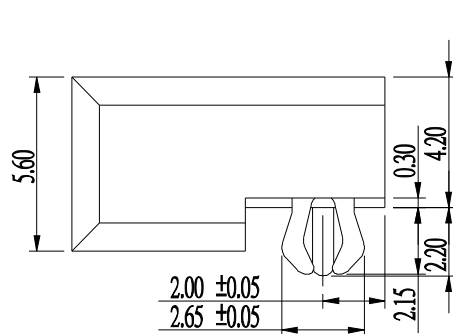
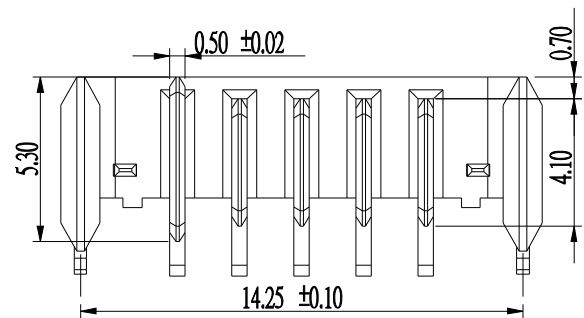
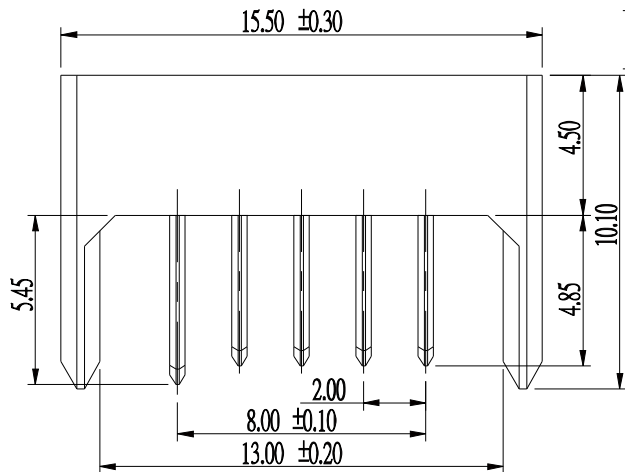
RoHS  
Compliant  
2002/95/EC

HSF

Level-1 Controlled Substances are banned

RECOMMENDED P.C.B LAYOUT (COMPONENT SIDE)

P.C.B THICKNESS=1.2mm  
WITHOUT LOCKING FUNCTION



SCALE(2:1)

加CAP示意圖

2NOTE:

SUYIN P/N0	PACKAGE
200275MR005G1HZZR	REEL PACKAGE WITH CAP
200275MR005G1HZZL	REEL PACKAGE WITHOUT CAP

NO.	DESCRIPTION	MATERIAL	COLOR	REMARK
4	CAP	HIGH TEMP PLASTICS	BLACK	UL94V-0
3	FORK	COPPER ALLOY		TIN PLATED
2	TERMINAL	COPPER ALLOY		GOLD PLATED
1	PLASDTICS	HIGH TEMP PLASTICS	BLACK	UL94V-0

**SUYIN**  
CONNECTOR

CUSTOMER COPY	TITLE: 2.00mm PITCH BATTETY CONN.			
PART NO.	200275MR005GX1HZZ			
PRODUCT SPEC.	200275MR/20175A			
FILE NAME.	D	200275MR005GX1HZZ-C		
SCALE	4:1	UNIT:mm	A4	SHEET: 1 of 1

ECN(DCN) NO.	REV	DATE	DESCRIPTION	CHANGE	APPRO.	GENERAL TOLERANCE UNLESS OTHERWISE NOTED	APPRO.	DATE
	0		NEW RELEASE	焦延飛	謝日倉	Angle ±2°		
DCBS-080414-04	PA	08/04/14	PA1:增加CAP	陳仕元	許俊賢	30 ~ ±0.50	DRAW	焦延飛 08/08/29
	PO	08/02/22	NEW	李華	許俊賢	10 ~ 30 ±0.30	DESIGN	焦延飛 08/08/29
						~ 10 ±0.15	CHECK	程夢麗 08/08/29
							APPRO.	謝日倉 08/08/29

Original:Draw: 李華 Design: 李華 Check: 楊國輝 Appro: 許俊賢 發行日期: 08/02/22

08022-BC101