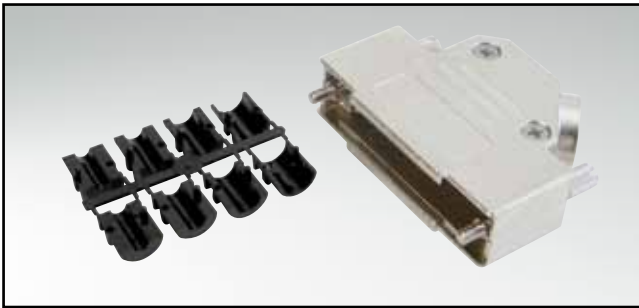


D-SUB METAL HOOD

Side cable entry – 9-37 pos. – Jack screws



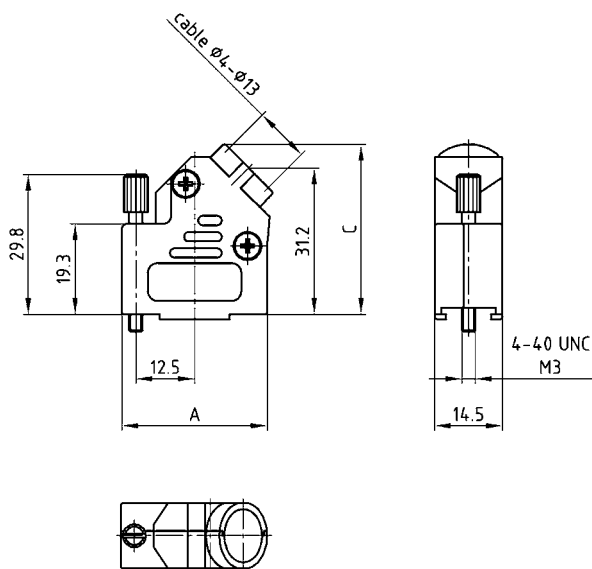
RoHS compliant – CSA listed, File No.: LR 115000-1 – UL listed, File No.: E202784

DESCRIPTION

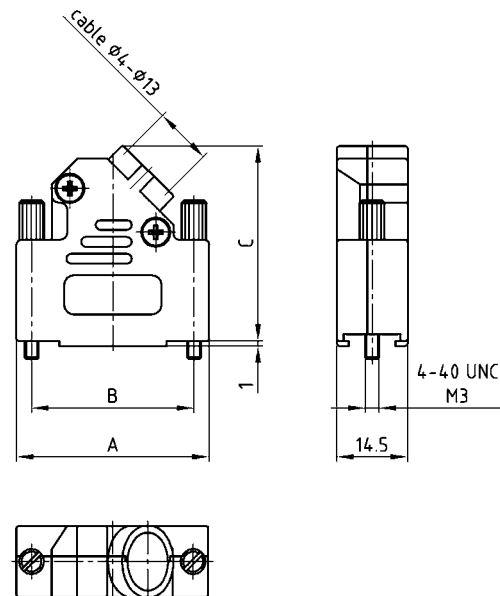
- Zinc die-cast hood, EMI/RFI shielding
- Plastic strain relief
- Fastening:
jack screws 4-40 UNC or M3 thread
- Housing nickel plated
- Attenuation factor: > 40dB between 30 Mhz and 2 GHz
- Crimp fitting and crimp tool please contact factory
- Bulk or single packaged units

PRODUCT DRAWING

9 pos.



15-37 pos.



| No. of pos. | A | B | C |
|-------------|-------|-------|-------|
| 09 | 31.00 | | 36.20 |
| 15 | 39.50 | 33.30 | 40.20 |
| 25 | 53.20 | 47.00 | 40.20 |
| 37 | 69.70 | 63.50 | 40.20 |

ORDER DATA

| D-SUB METAL HOOD – SIDE CABLE ENTRY | | |
|-------------------------------------|-----------------|---------------|
| No. of pos. | Design 4-40 UNC | Part Number |
| 09 | Jack screw | 165 X 02689 X |
| 15 | Jack screw | 165 X 02699 X |
| 25 | Jack screw | 165 X 02709 X |
| 37 | Jack screw | 165 X 02719 X |

| D-SUB METAL HOOD – SIDE CABLE ENTRY | | |
|-------------------------------------|------------|---------------|
| No. of pos. | Design M3 | Part Number |
| 09 | Jack screw | 165 X 02729 X |
| 15 | Jack screw | 165 X 02739 X |
| 25 | Jack screw | 165 X 02749 X |
| 37 | Jack screw | 165 X 02759 X |

For single packaged add the letter „E” at the end of the part number.