

PLEASE CHECK WWW.MOLEX.COM FOR LATEST PART INFORMATION

Part Number: [0760475003](#)
Status: **Active**
Overview: [sfp_stacked_multiport_connectors](#)
Description: Small Form-factor Pluggable Plus (SFP+) Stacked 2-by-5 Multi-Port Connector with 2 Outer Lightpipe Ports, EMI Metal Gasket, 200 Circuits, Tin (Sn) Tails

Documents:

[3D Model](#) [Product Specification PS-75310-001 \(PDF\)](#)
[Drawing \(PDF\)](#) [RoHS Certificate of Compliance \(PDF\)](#)
[Application Specification \(PDF\)](#)

Agency Certification

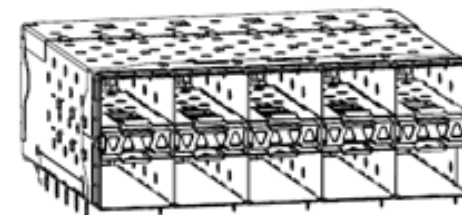
CSA LR19980
 UL E29179

General

Product Family I/O Connectors
 Series [76047](#)
 Application Module-to-Board
 Component Type Receptacle
 Overview [sfp_stacked_multiport_connectors](#)
 Product Name SFP Plus
 Type N/A

Physical

Boot Color N/A
 Circuits (Loaded) 200
 Circuits (maximum) 200
 Circuits Detail 200
 Color - Resin Black, Clear (Blue Tint)
 Durability (mating cycles max) 100
 Flammability 94V-0
 Gender Female
 Keying to Mating Part None
 Lock to Mating Part Yes
 Material - Metal High Performance Alloy (HPA)
 Material - Plating Mating Gold
 Material - Plating Termination Tin
 Material - Resin High Temperature Thermoplastic, Polycarbonate
 Number of Rows 2
 Orientation Right Angle
 PC Tail Length (in) 0.081 In
 PC Tail Length (mm) 2.07 mm
 PCB Locator Yes
 PCB Retention Yes
 PCB Thickness Recommended (in) 0.062 In
 PCB Thickness Recommended (mm) 1.57 mm
 Packaging Type Tray
 Panel Mount No
 Pitch - Mating Interface (in) 0.031 In
 Pitch - Mating Interface (mm) 0.80 mm
 Pitch - Term. Interface (in) 0.031 In
 Pitch - Term. Interface (mm) 0.80 mm
 Plating min: Mating (µin) 30.4
 Plating min: Mating (µm) 0.76
 Plating min: Termination (µin) 30.4



Series

image - Reference only

EU RoHS

ELV and RoHS Compliant

REACH SVHC

Not Reviewed

Halogen-Free

Status

Halogen-Free

China RoHS



Need more information on product environmental compliance?

Email productcompliance@molex.com
 For a multiple part number RoHS Certificate of Compliance, [click here](#)

Please visit the [Contact Us](#) section for any non-product compliance questions.

Search Parts in this Series

[76047Series](#)

Use With

[0759510999 SFP Dust Plug,](#)

Application Tooling | FAQ

Tooling specifications and manuals are found by selecting the products below. Crimp Height Specifications are then contained in the Application Tooling Specification document.

Global

Description	Product #
SFP Stacked Multi-Port Insertion Tool, 2 by 5	0622029980
SFP Stacked Multi-Port Extraction Tool, 2 by 5	0622029990

Plating min: Termination (µm)	0.76
Polarized to Mating Part	Yes
Polarized to PCB	Yes
Surface Mount Compatible (SMC)	No
Temperature Range - Operating	-40°C to +85°C
Termination Interface: Style	Through Hole - Compliant Pin
Waterproof / Dustproof	No

Electrical

Current - Maximum per Contact	0.5A
Grounding to Panel	None
Shield Type	EMI Gasket
Shielded	Yes
Voltage - Maximum	120V AC (RMS)/DC

Material Info

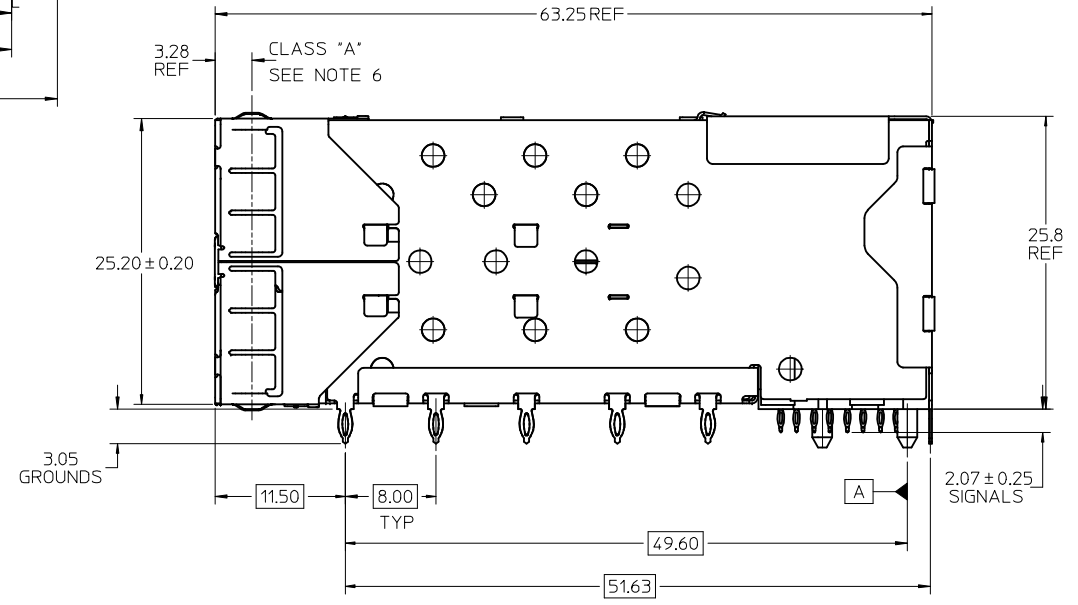
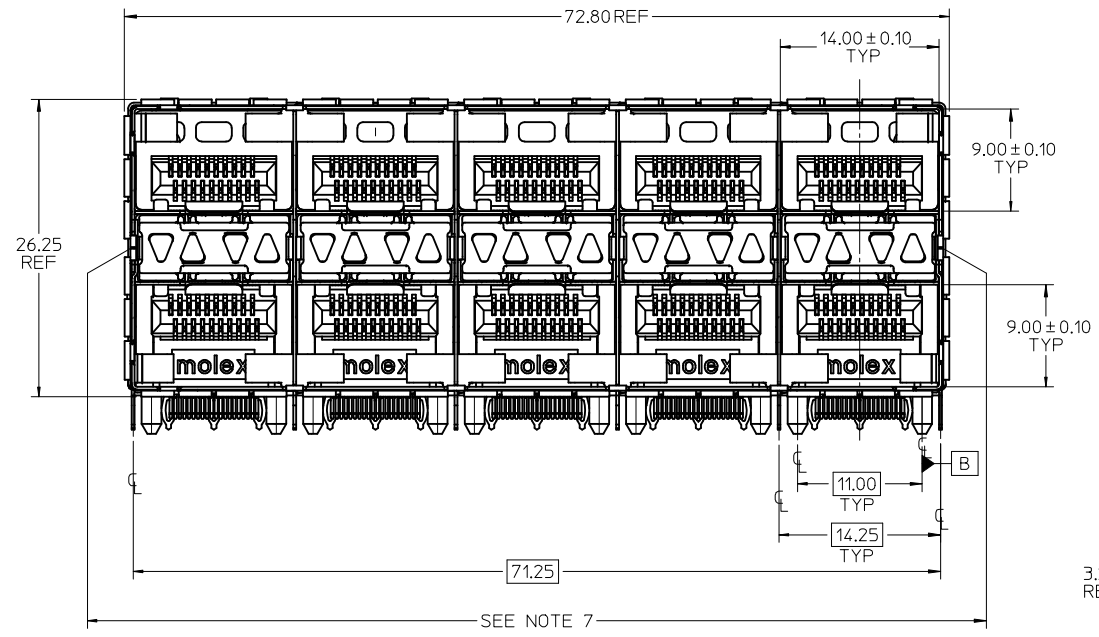
Reference - Drawing Numbers

Application Specification	AS-75310-001
Packaging Specification	PK-75733-001
Product Specification	PS-75310-001
Sales Drawing	SD-76047-001
Test Summary	TS-75310-001

This document was generated on 05/27/2010

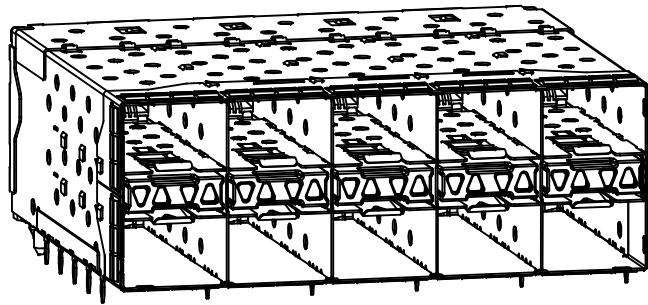
PLEASE CHECK WWW.MOLEX.COM FOR LATEST PART INFORMATION

PART NUMBER	DESCRIPTION	VIEW	COMPLIANT TAIL PLATING
760470001	4 LIGHT PORTS	SEE PG 2	TIN / LEAD
760470002	INNER 2 PORTS	SEE PG 2	TIN / LEAD
760470003	OUTER 2 PORTS	SEE PG 2	TIN / LEAD
760475001	4 LIGHT PORTS	SEE PG 2	TIN
760475002	INNER 2 PORTS	SEE PG 2	TIN
760475003	OUTER 2 PORTS	SEE PG 2	TIN

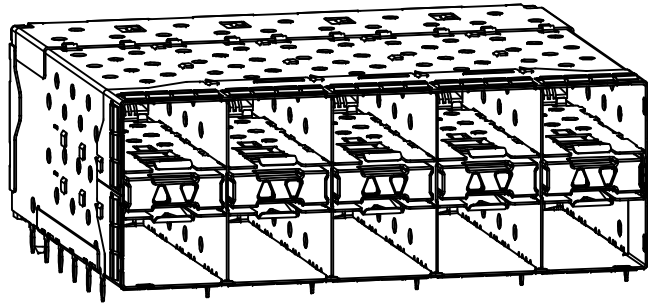


- NOTES:
- MATERIAL:
 - CAGE: NICKEL SILVER, THICKNESS: 0.25mm
 - EMI GASKET: PHOS-BRONZE
 - CONNECTOR HOUSING: GLASS FILLED THERMOPLASTIC, UL: 94 V-0, COLOR: BLACK
 - OVERMOLD TERMINAL HOUSING: GLASS FILLED THERMOPLASTIC, UL 94 V-0, COLOR: BLACK
 - TERMINALS: BRASS
 - LIGHT PIPES: POLYCARBONATE, UL 94 V-0, COLOR: CLEAR
 - LIGHT PIPE HOUSING: ZINC
 - FINISH
 - TERMINALS: CONTACT AREA: 0.76 MICRONS MIN. HARD GOLD OVER 1.27 MICRONS MIN. NICKEL.
 - COMPLIANT TAIL - TIN/LEAD OPTION: 0.76 - 1.52 MICRONS 90/10 TIN/LEAD OVER 0.76 - 1.52 MICRONS NICKEL
 - COMPLIANT TAIL - TIN OPTION: 0.76 - 1.52 MICRONS TIN OVER 0.76 - 1.52 MICRONS NICKEL
 - LIGHT PIPE HOUSING: 150 MICRONS NICKEL OVER 150 MICRONS COPPER
 - EMI GASKET: 2.54 MICRONS NICKEL OVERALL
 - REFER TO PS-75310-001 PRODUCT SPEC FOR ALL ELECTRICAL, MECHANICAL AND ENVIRONMENTAL SPECIFICATIONS.
 - LIGHT PIPE PAD LAYOUT IS FOR 0805 LOW-PROFILE LED PACKAGE, FOR OTHER RECOMMENDED LAYOUTS REFER TO MOLEX'S REPORT TS-75310-001
 - REFER TO PK-75733-001 FOR ALL PACKAGING SPECIFICATIONS.
 - ALL EXTERIOR SURFACES TO BE CLASS 'B' SURFACES EXCEPT THE UNDER SIDE OF THE CAGE WHERE THE PCB WOULD BE LOCATED AND AS NOTED. THE SURFACES TO CONFORM TO THE MOLEX COSMETIC DOC PS-45499-002.
 - THE OVERALL CAGE WIDTH AT THE VERTICAL CENTER OF THE FRONT EDGE WILL FALL WITHIN THIS DIMENSION: 72.05+/-0.30 MM. THIS PORTION OF THE CAGE WILL FLEX INWARD AS THE CAGE IS BEING INSERTED INTO THE BEZEL OPENING.

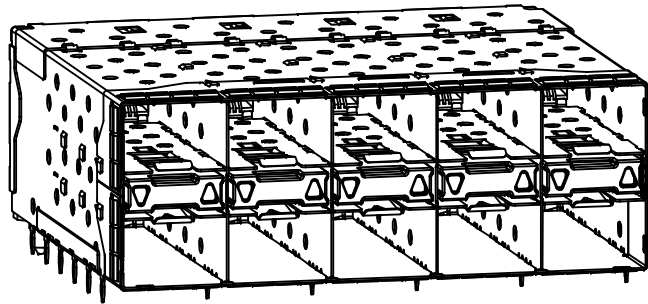
ADD NOTE 7/KEEPOUT'S EC NO: UCP2009-1582 TIDRWINSIBARRA 2009/01/07 CHKD:BBARKER 2009/01/09 APPR:SMILLER 2009/01/12	QUALITY SYMBOLS ▽=0 ▽=0	GENERAL TOLERANCES (UNLESS SPECIFIED)		DIMENSION STYLE	SCALE	DESIGN UNITS	THIRD ANGLE PROJECTION	
				IN/MM	3:1	INCH		
		mm	INCH	DRAWN BY	DATE	TITLE		
		4 PLACES ± --- ± ---	3 PLACES ± --- ± ---	MSANDBERG	10/16/2006	STACKED SFP+ 2X5 ASS'Y WITH METAL EMI GASKET AND LIGHTPIPES		
2 PLACES ± 0.13 ± ---	1 PLACE ± 0.25 ± ---	JL LONG	10/16/2006	MOLEX INCORPORATED				
ANGULAR ± 1/2°		APPROVED BY	DATE	DOCUMENT NO.				
DRAFT WHERE APPLICABLE MUST REMAIN WITHIN DIMENSIONS		RNELSON	10/16/2006	SEE TABLE		SD-76047-001		
		MATERIAL NO.		SHEET NO.		1 OF 4		
		THIS DRAWING CONTAINS INFORMATION THAT IS PROPRIETARY TO MOLEX INCORPORATED AND SHOULD NOT BE USED WITHOUT WRITTEN PERMISSION						



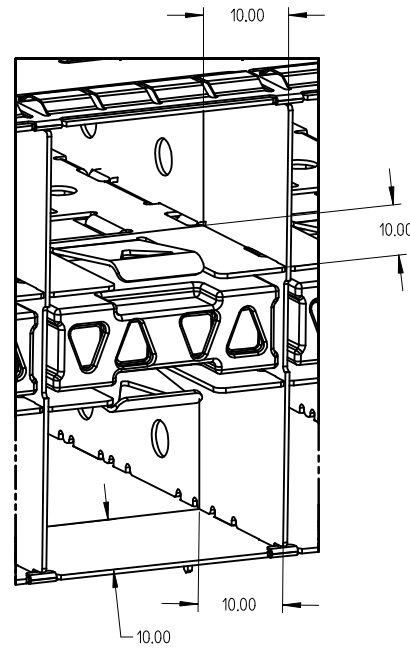
760470001 AND 760475001
WITH INNER AND OUTER LIGHT PIPES



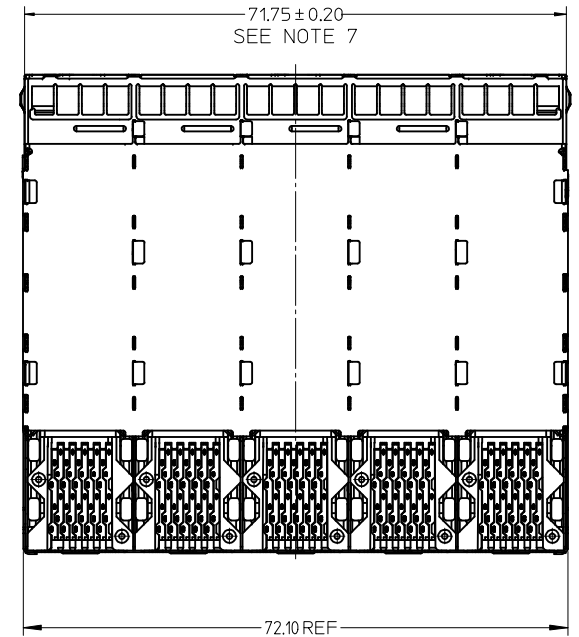
760470002 AND 760475002
WITH INNER LIGHT PIPES



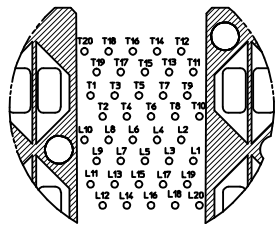
760470003 AND 760475003
WITH OUTER LIGHT PIPES



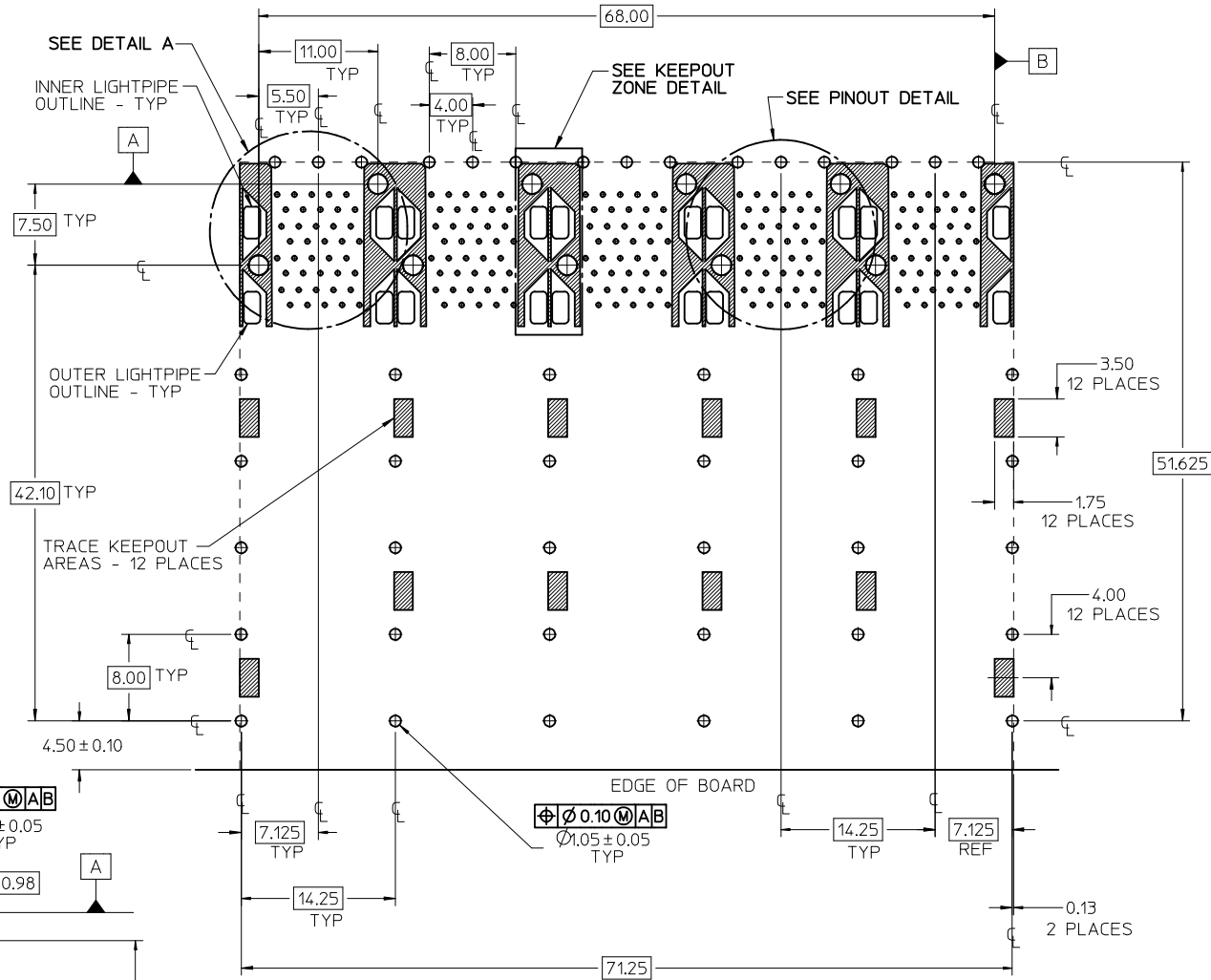
10.00mm AREA SETBACK IN CAGE IS TO BE FREE OF ANY HOLES, DIMPLES, SEAMS OR ANY OTHER FEATURE. (4 SIDES PER MODULE PORT)



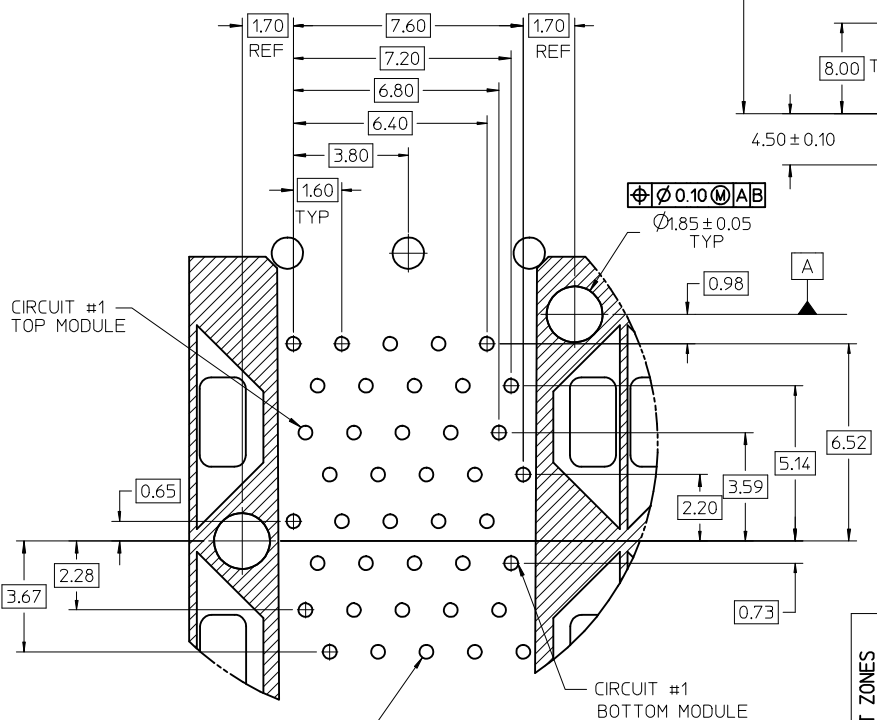
SEE SHEET 1 EC NO: UCP2009-1582 TDRW:MS BARRA 2009/01/07 CHKD:BBARKER 2009/01/09 APPR:SMILLER 2009/01/12	QUALITY SYMBOLS ▽=0 ▽=0	GENERAL TOLERANCES (UNLESS SPECIFIED)		DIMENSION STYLE IN/MM		SCALE 2:1	DESIGN UNITS INCH	THIRD ANGLE PROJECTION			
		4 PLACES ± --- ± ---	3 PLACES ± --- ± ---	2 PLACES ± 0.13 ± ---	1 PLACE ± 0.25 ± ---	ANGULAR ±1/2°	DRAWN BY MSANDBERG	DATE 10/16/2006	TITLE STACKED SFP+ 2X5 ASS'Y WITH METAL EMI GASKET AND LIGHTPIPES		
		DRAFT WHERE APPLICABLE MUST REMAIN WITHIN DIMENSIONS					CHECKED BY JLONG	DATE 10/16/2006	MOLEX INCORPORATED		
		SEE TABLE					APPROVED BY RNELSON	DATE 10/16/2006	MATERIAL NO. DOCUMENT NO.	SHEET NO. 2 OF 4	



CONNECTOR PIN-OUT DETAIL
COMPONENT SIDE OF BOARD

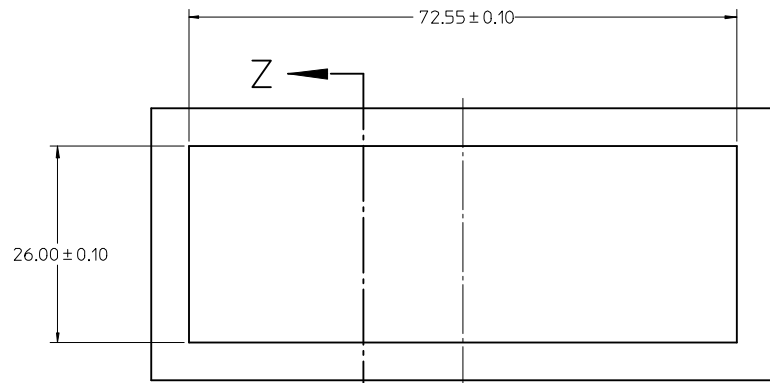


RECOMMENDED PCB LAYOUT - COMPONENT SIDE
RECOMMENDED PCB THICKNESS - 2.36 MM (0.93 INCH)
THE ENTIRE AREA OF THE CONNECTOR FOOTPRINT
TO BE CONSIDERED THE KEEP OUT AREA FOR COMPONENT'S
(OTHER THAN LIGHT PIPE LED'S)
THIS AREA IS INDICATED BY THE DASHED LINE

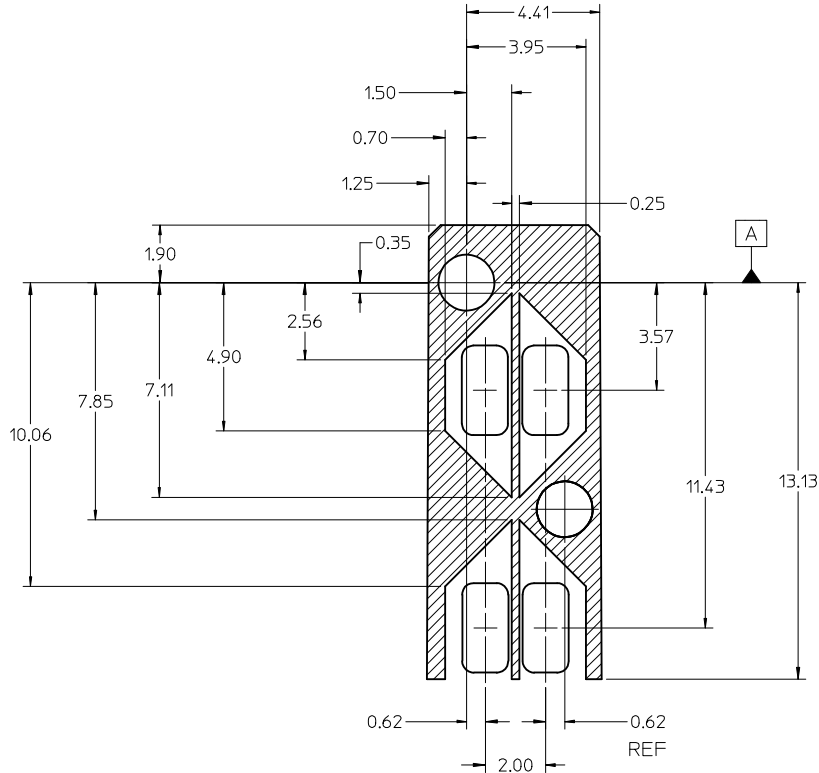
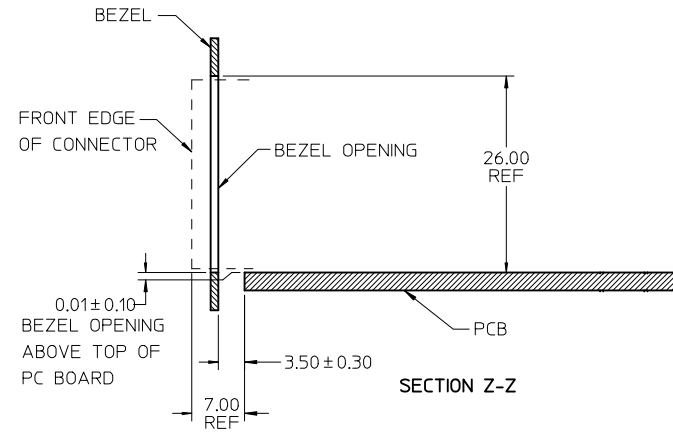


DETAIL A
SCALE 8:1
 $\varnothing 0.46 \pm 0.05$ TYP
 $(\varnothing 0.57 \text{ DRILL})$
 $(\varnothing 0.88 \text{ PAD})$

ADD KEEP OUT ZONES EC NO: UCP2009-1582 DRWINMSI BARRA 2009/01/07 CHKD:BBARKER 2009/01/09 APPR:SMILLER 2009/01/12	QUALITY SYMBOLS $\nabla=0$ $\nabla=0$	GENERAL TOLERANCES (UNLESS SPECIFIED)		DIMENSION STYLE IN/MM		SCALE 3:1	DESIGN UNITS INCH	THIRD ANGLE PROJECTION	
		mm	INCH	DRAWN BY	DATE	TITLE	STACKED SFP+ 2X5 ASS'Y WITH METAL EMI GASKET AND LIGHTPIPES MOLEX INCORPORATED SD-76047-001		
4 PLACES ±	---	±	---	MSANDBERG	10/16/2006	MOLEX INCORPORATED DOCUMENT NO. SD-76047-001 SHEET NO. 3 OF 4			
3 PLACES ±	---	±	---	CHECKED BY	DATE				
2 PLACES ±	0.13	±	---	JL LONG	10/16/2006	APPROVED BY RNELSON 10/16/2006			
1 PLACE ±	0.25	±	---	APPROVED BY	DATE				
ANGULAR ±1/2°				DRAFT WHERE APPLICABLE MUST REMAIN WITHIN DIMENSIONS		SIZE C			



BEZEL CUTOUT CENTER SPACING DETAIL
BEZEL THICKNESS 0.8-2.6



DETAIL - LIGHTPIPE LOCATION AND OTHER ZONES
SCALE 8:1

THE HATCHED AREA IN THIS VIEW INDICATES ZONES THAT ARE OCCUPIED BY THE PLASTIC HOUSING THAT SEATS AGAINST THE PCB AND BY THE VERTICAL METAL CAGE WALL THAT STOPS JUST SHORT OF THE PCB

SEE SHEET 1
EC NO: UCP2009-1582
DRAWN BY: IDRWINSI BARRA 2009/01/07
CHKD BY: BARKER 2009/01/09
APPR: SMILLER 2009/01/12

QUALITY SYMBOLS
▽=0
▽=0

GENERAL TOLERANCES (UNLESS SPECIFIED)

	mm	INCH
4 PLACES	± ---	± ---
3 PLACES	± ---	± ---
2 PLACES	± 0.13	± ---
1 PLACE	± 0.25	± ---

ANGULAR ±1/2°

DRAFT WHERE APPLICABLE MUST REMAIN WITHIN DIMENSIONS

DIMENSION STYLE IN/MM

DRAWN BY	DATE
MSANDBERG	10/16/2006
CHECKED BY	DATE
JLONG	10/16/2006
APPROVED BY	DATE
RNELSON	10/16/2006

MATERIAL NO. SEE TABLE

SCALE 2:1
DESIGN UNITS INCH
THIRD ANGLE PROJECTION

TITLE
STACKED SFP+ 2X5 ASS'Y WITH METAL EMI GASKET AND LIGHTPIPES

MOLEX INCORPORATED

DOCUMENT NO. SD-76047-001
SHEET NO. 4 OF 4

THIS DRAWING CONTAINS INFORMATION THAT IS PROPRIETARY TO MOLEX INCORPORATED AND SHOULD NOT BE USED WITHOUT WRITTEN PERMISSION