

PLEASE CHECK WWW.MOLEX.COM FOR LATEST PART INFORMATION

Part Number: **0678408001**
Status: **Active**
Description: 2.50mm (.098") Pitch, SDIO Memory Card Connector, Standard Mount, Stand Off 1.80mm (.709"), Footprint A, Type A Cover, Lead Free

Documents:

[3D Model](#) [Product Specification PS-67840-001 \(PDF\)](#)
[Drawing \(PDF\)](#) [RoHS Certificate of Compliance \(PDF\)](#)

General

Product Family	Memory Card Sockets
Series	67840
Button Type	Push-Push
Component Type	Header & Ejector (Host)
Product Name	SDIO
Type	N/A

Physical

Card Detection Switch	Open
Circuits (Loaded)	9
Durability (mating cycles max)	10,000
Ejector Button Side	No Ejector Button Present
Entry Angle	90° Angle (Side Entry)
Keying to Mating Part	Yes
Material - Metal	Piano wire, Stainless Steel
Material - Plating Mating	Gold
Material - Plating Termination	Gold, Tin
PCB Locator	Yes
PCB Mounting Side	Normal
PCB Retention	Yes
Packaging Type	Embossed Tape on Reel
Pitch - Mating Interface (in)	0.098 In
Pitch - Mating Interface (mm)	2.50 mm
Plating min: Mating (µin)	8
Plating min: Mating (µm)	0.2
Plating min: Termination (µin)	120, 2, 40
Plating min: Termination (µm)	0.05, 1, 3
Ports	1
Temperature Range - Operating	-40°C to +85°C
Termination Interface: Style	Surface Mount

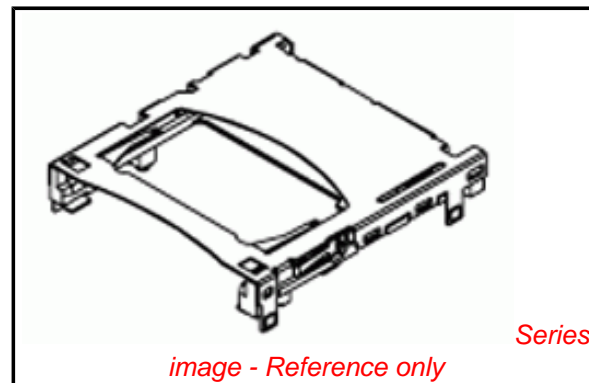
Electrical

Current - Maximum per Contact	0.5A
Shielded	Yes
Voltage - Maximum	100V

Material Info

Reference - Drawing Numbers

Packaging Specification	PK-67840-001
Product Specification	PS-67840-001
Sales Drawing	SD-67840-007



EU RoHS

**ELV and RoHS
Compliant**
REACH SVHC
 Not Reviewed
**Halogen-Free
Status**
Halogen-Free

China RoHS



**Need more information on product
environmental compliance?**

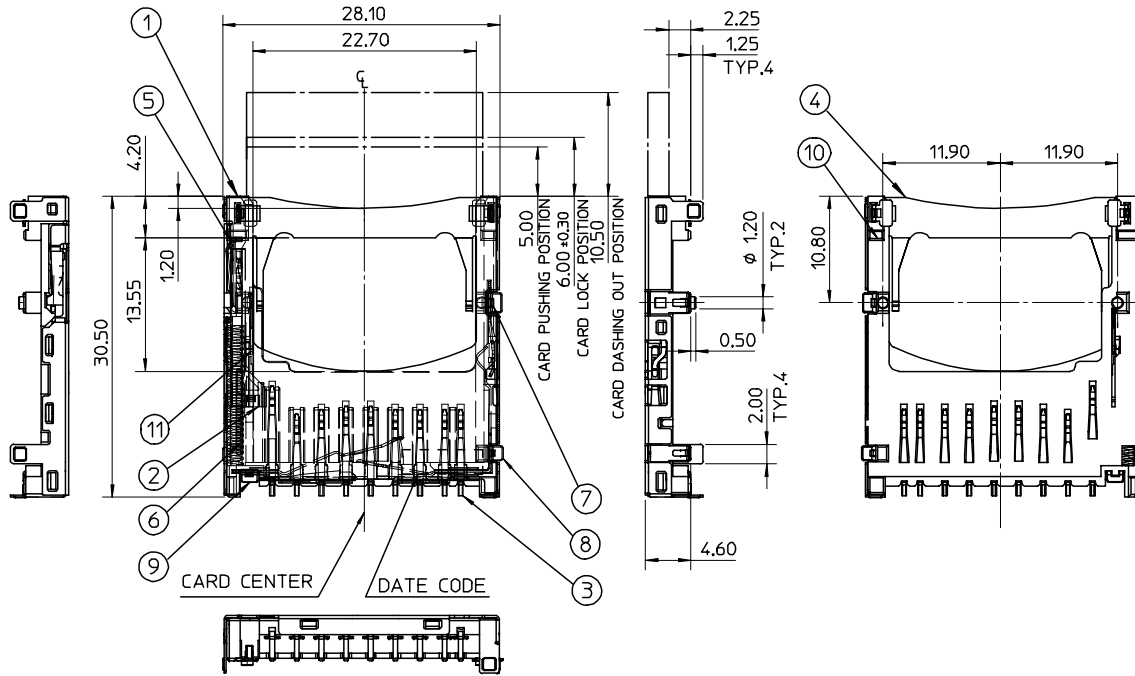
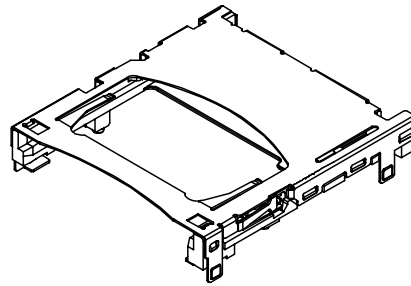
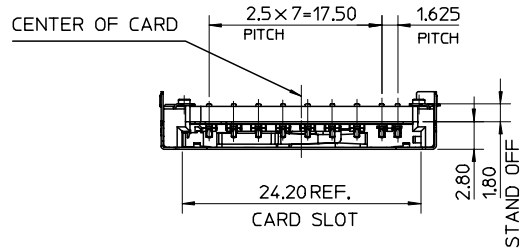
Email productcompliance@molex.com
 For a multiple part number RoHS Certificate of Compliance, [click here](#)

Please visit the [Contact Us](#) section for any non-product compliance questions.

Search Parts in this Series
67840Series

Use With
SDIO

10 9 8 7 6 5 4 3 2 1



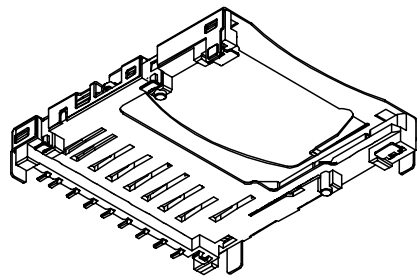
- NOTES:
1. TERMINAL AND NAIL COPLANARITY TO BE 0.1 MAX.
 2. WHEN DELIVERING, THE PUSH/PUSH MECHANISM IS IN THE STATE OF THE UNLOCK.(CARD DASHING OUT POSITION)
 3. CARD READ ONLY BY THE TIME THE CARD DETECTION SWITCH WORKS.
 4. OPENING AND CLOSE OF EACH SWITCH.

CARD INSERTION STATUS	WRITE PROTECT SWITCH		DETECT SWITCH
	WRITE PROTECT POSITION	WRITE ENABLE POSITION	
CARD UNINSERTION	OPEN	OPEN	OPEN
CARD HALF INSERTION	CLOSE	CLOSE	OPEN
CARD INSERTION	OPEN	CLOSE	CLOSE

5. MATERIAL AND FINISH AS BELOW

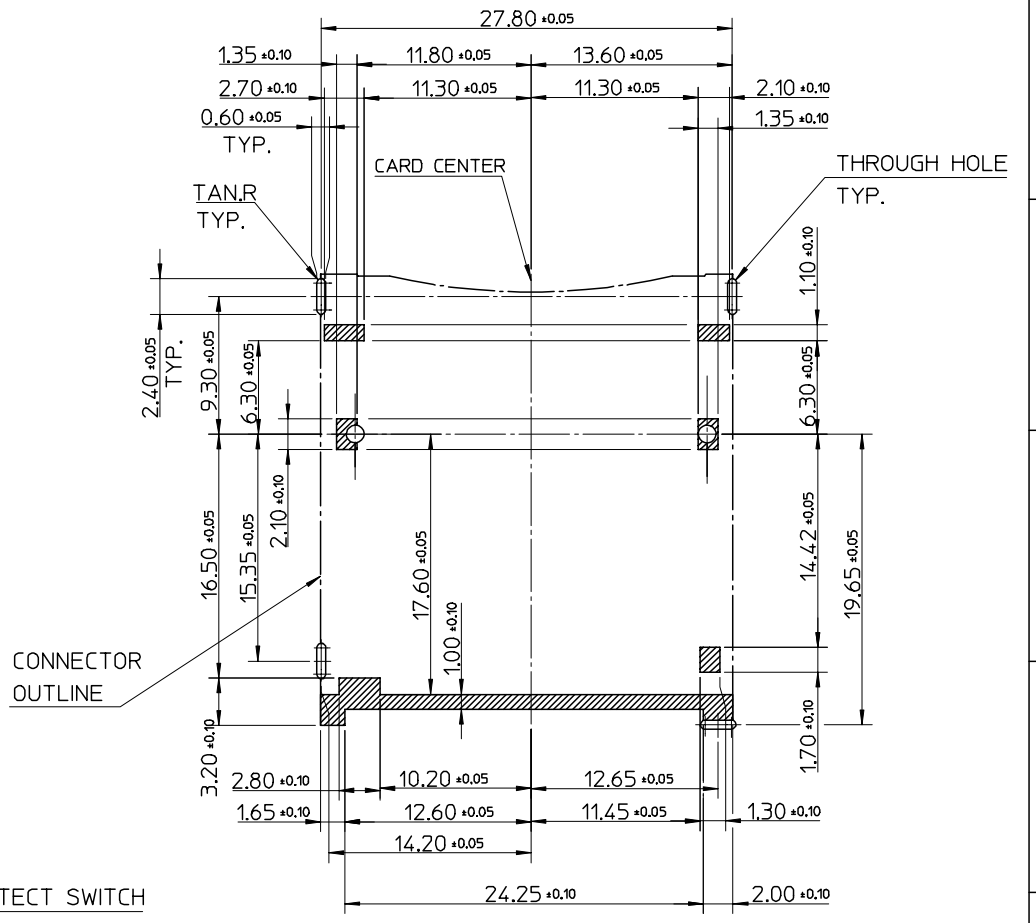
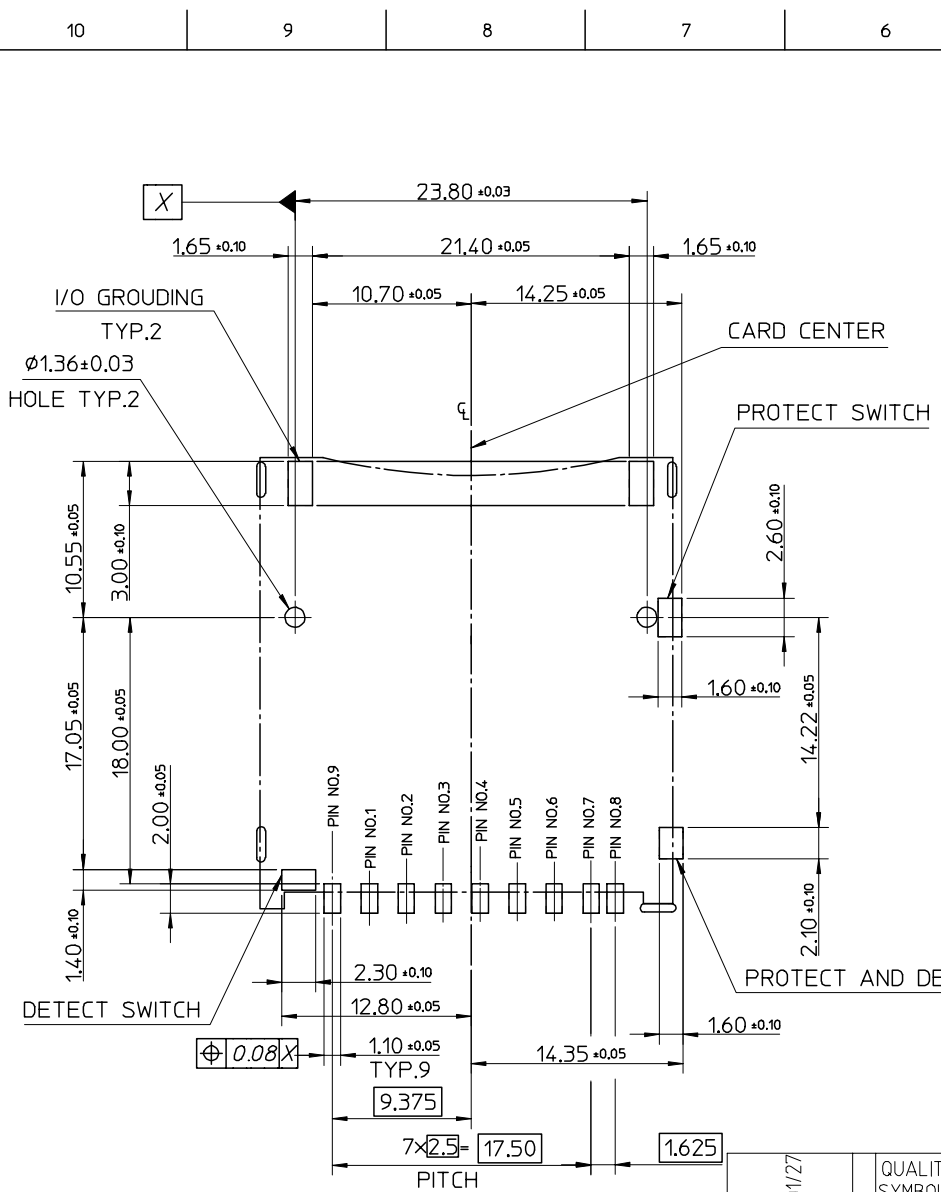
NO	NAME	QT'Y	MATERIAL
1	HOUSING	1	LCP,UL 94V-0,COLOR:BLACK
2	HEART CAM	1	LCP,UL 94V-0,COLOR:BLACK
3	TERMINAL	9	COPPER ALLOY,SELECTIVE Au PLATING
4	METAL SHELL	1	STAINLESS STEEL
5	PIN	1	STAINLESS STEEL
6	SPRING	1	STEEL WIRE
7	PROTECT TERMINAL	1	COPPER ALLOY, SELECTIVE Au PLATING
8	PROTECT AND DETECT TERMINAL	1	COPPER ALLOY, SELECTIVE Au PLATING
9	DETECT TERMINAL	1	COPPER ALLOY, SELECTIVE Au PLATING
10	NAIL	2	COPPER ALLOY, PURE TIN PLATING
11	CARD LOCK	1	STAINLESS STEEL

6. PRODUCT SPECIFICATION : PER PS-67840-001
7. I/O CONTACTS, BASE ON SD I/O ASSOC. REV. G.
8. THIS HAS A LOCK MECHANISM FOR SD CARD,IT DOES NOT WORK FOR THE MMC. CARD AT LOCK POSITION, IF PULLED OUT MANUALLY. THE NEXT CARD INSERTED WILL BE EJECTED.
9. RECOMMENED P.CBOARD THICKNESS: 0.8±0.1
10. PACKAGING REFERS TO PK-67840-001



NEW RELEASE EC NO: DRAWN:QLZHANG 2005/01/27 CHKD:HARVEY APPR: A	QUALITY SYMBOLS ▼ - 0 ▽ - 0 S - 0	GENERAL TOLERANCES (UNLESS SPECIFIED)	SCALE 2:1	DESIGN UNITS METRIC	THIRD ANGLE PROJECTION	REVISE ON CAD ONLY	
		4 PLACES ± --- ± --- 3 PLACES ± --- ± --- 2 PLACES ± 0.25 ± --- 1 PLACE ± 0.25 ± --- ANGULAR ± 3°	DIMENSION STYLE MM ONLY	DRAWN BY QLZHANG DATE 2004/12/06	CHECKED BY DATE	TITLE SD MEMORY CARD CONN. ASS'Y(TOP MOUNT TYPE 1.8 MM STAND OFF, LEAD-FREE)	MOLEX INCORPORATED
		DRAFT WHERE APPLICABLE MUST REMAIN WITHIN DIMENSIONS	APPROVED BY DATE	MATERIAL NO. 67840-8001	DOCUMENT NO. SD-67840-007	SHEET NO. 1 OF 3	A3
		THIS DRAWING CONTAINS INFORMATION THAT IS PROPRIETARY TO MOLEX INCORPORATED AND SHOULD NOT BE USED WITHOUT WRITTEN PERMISSION					

9 8 7 6 5 4 3 2 1



RECOMMENDED PCB PATTERN LAYOUT

NEW RELEASE
 EC NO:
 DRAWN: QLZHANG 2005/01/27
 CHKD: HARVEY
 APPR:

REV	DESCRIPTION
A	

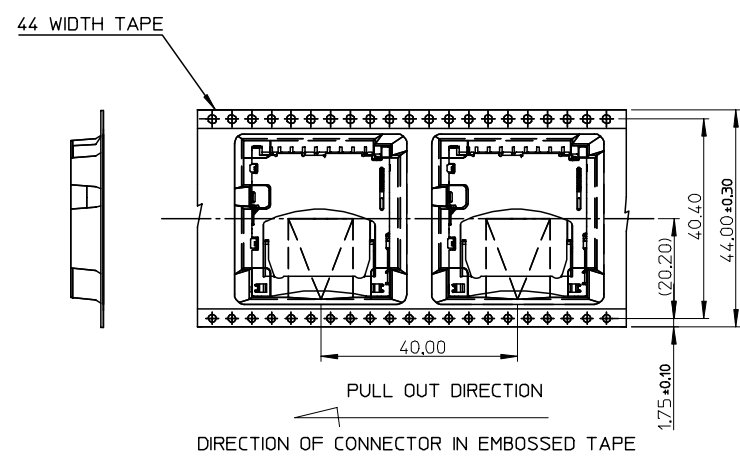
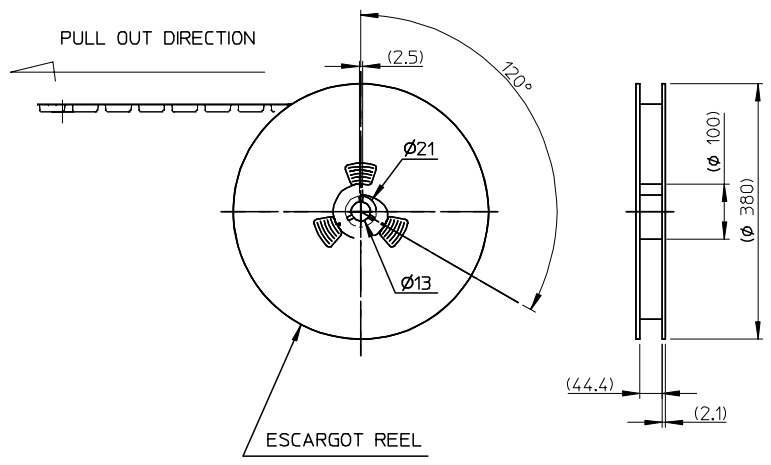
QUALITY SYMBOLS	GENERAL TOLERANCES (UNLESS SPECIFIED)
▽ = 0	mm INCH
∇ = 0	4 PLACES ± --- ± ---
∇ = 0	3 PLACES ± --- ± ---
∇ = 0	2 PLACES ± 0.25 ± ---
∇ = 0	1 PLACE ± 0.25 ± ---
	ANGULAR ± 3°
	DRAFT WHERE APPLICABLE
	MUST REMAIN WITHIN DIMENSIONS

SCALE 3:1	DESIGN UNITS METRIC
DIMENSION STYLE MM ONLY	
DRAWN BY QLZHANG	DATE 2004/12/06
CHECKED BY	DATE
APPROVED BY	DATE

THIRD ANGLE PROJECTION	REVISE ON CAD ONLY
TITLE SD MEMORY CARD CONN. ASS'Y(TOP MOUNT TYPE 1.8 MM STAND OFF, LEAD-FREE)	
MOLEX INCORPORATED	
MATERIAL NO. 67840-8001	DOCUMENT NO. SD-67840-007
SHEET NO. 2 OF 3	

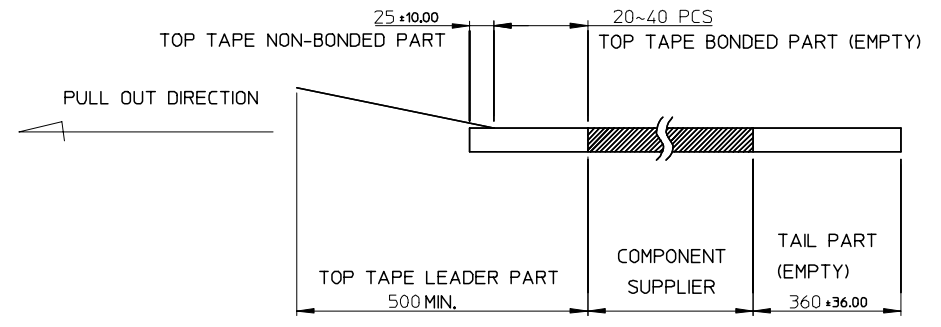
THIS DRAWING CONTAINS INFORMATION THAT IS PROPRIETARY TO MOLEX INCORPORATED AND SHOULD NOT BE USED WITHOUT WRITTEN PERMISSION

A3

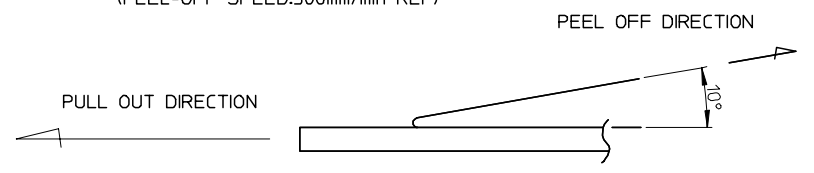


NOTES:

1. NUMBER OF CONNECTORS: 250 PCS/REEL
- 2.



3. PEEL-OFF FORCE OF TOP TAPE: 0.1~1.3N (10.2~130gf)
(PEELING DIRECTION AS SHOWN IN FOLLOWING FIGURE.)
(PEEL-OFF SPEED:300mm/min REF)



NEW RELEASE EC NO: DRAWN:QLZHANG 2005/01/27 CHKD:HARVEY APPR: A	QUALITY SYMBOLS ▽ = 0 □ = 0 S = 0	GENERAL TOLERANCES (UNLESS SPECIFIED)		SCALE 1:1	DESIGN UNITS METRIC	THIRD ANGLE PROJECTION	REVISE ON CAD ONLY		
				DIMENSION STYLE MM ONLY		TITLE			
		4 PLACES ± --- ± ---		DRAWN BY QLZHANG		DATE 2004/12/06		SD MEMORY CARD CONN. ASS'Y(TOP MOUNT TYPE 1.8 MM STAND OFF, LEAD-FREE)	
		3 PLACES ± --- ± ---		CHECKED BY		DATE		MOLEX INCORPORATED	
2 PLACES ± 0.25 ± ---		APPROVED BY		DATE		MATERIAL NO. 67840-8001	DOCUMENT NO. SD-67840-007		
1 PLACE ± 0.25 ± ---		DRAFT WHERE APPLICABLE MUST REMAIN WITHIN DIMENSIONS		THIS DRAWING CONTAINS INFORMATION THAT IS PROPRIETARY TO MOLEX INCORPORATED AND SHOULD NOT BE USED WITHOUT WRITTEN PERMISSION		SHEET NO. 3 OF 3	A3		