

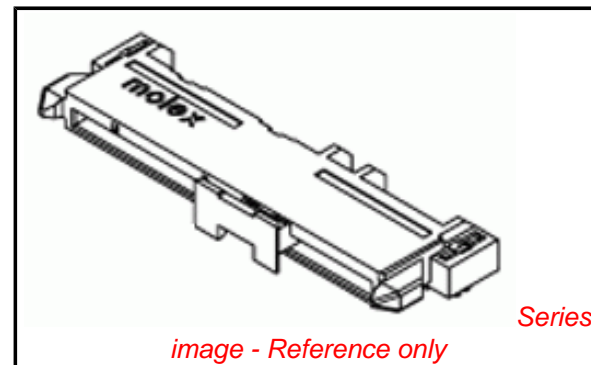
**PLEASE CHECK WWW.MOLEX.COM FOR LATEST PART INFORMATION**

**Part Number:** [0674921921](#)  
**Status:** **Active**  
**Overview:** serial ata 127 host receptacles  
**Description:** 1.27mm (.050") Pitch Serial ATA Host Receptacle, Right Angle, SMT, Mating Height 3.55mm (.140"), 0.76µm (30µ") Gold (Au) Plating, without Cap, Embossed Tape on Reel Packaging, 22 Circuits, Lead Free

**Documents:**

[3D Model](#)  
[Drawing \(PDF\)](#)

[RoHS Certificate of Compliance \(PDF\)](#)



**General**

Product Family	PCB Receptacles
Series	<a href="#">67492</a>
Application	Board-to-Board
Overview	<a href="#">serial ata 127 host receptacles</a>
Product Name	Serial ATA

**Physical**

Circuits (Loaded)	22
Circuits (maximum)	22
Color - Resin	Black
Durability (mating cycles max)	500
Glow-Wire Compliant	No
Guide to Mating Part	Yes
Keying to Mating Part	Yes
Lock to Mating Part	None
Mated Height (mm)	3.55 mm
Material - Metal	Copper Alloy
Material - Plating Mating	Gold
Material - Plating Termination	Tin
Material - Resin	High Temperature Thermoplastic
Number of Rows	1
Orientation	Right Angle
PCB Locator	Yes
PCB Retention	Yes
PCB Thickness Recommended (in)	0.045 In
PCB Thickness Recommended (mm)	1.20 mm
Packaging Type	Embossed Tape on Reel
Pitch - Mating Interface (in)	0.050 In
Pitch - Mating Interface (mm)	1.27 mm
Pitch - Term. Interface (in)	0.050 In
Pitch - Term. Interface (mm)	1.27 mm
Plating min: Mating (µin)	30
Plating min: Mating (µm)	0.76
Plating min: Termination (µin)	50
Plating min: Termination (µm)	1.27
Polarized to Mating Part	Yes
Polarized to PCB	Yes
Stackable	No
Temperature Range - Operating	-35°C to +85°C
Termination Interface: Style	Surface Mount

**Electrical**

Current - Maximum per Contact	1.5A
Voltage - Maximum	15V DC

**EU RoHS**

**ELV and RoHS  
Compliant**  
**REACH SVHC  
Contains SVHC: No**  
**Halogen-Free  
Status**

**China RoHS**



**Need more information on product  
environmental compliance?**

Email [productcompliance@molex.com](mailto:productcompliance@molex.com)  
 For a multiple part number RoHS Certificate of Compliance, [click here](#)

Please visit the [Contact Us](#) section for any non-product compliance questions.

**Search Parts in this Series**

[67492Series](#)

**Mates With**

[87703](#) , [87672](#) Serial ATA Plugs

**Material Info**

**Reference - Drawing Numbers**

Packaging Specification

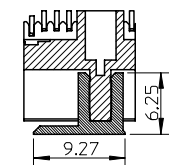
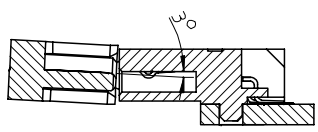
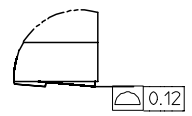
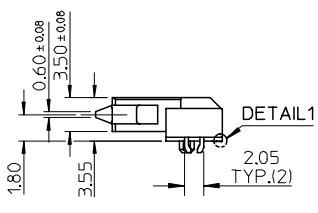
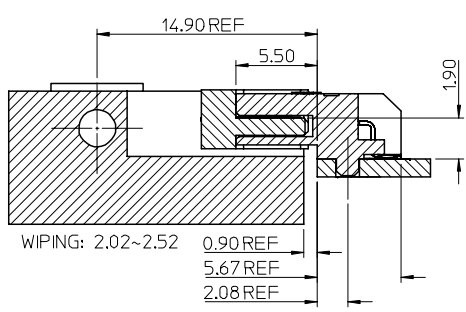
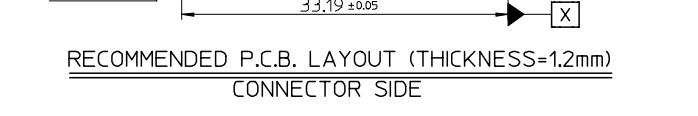
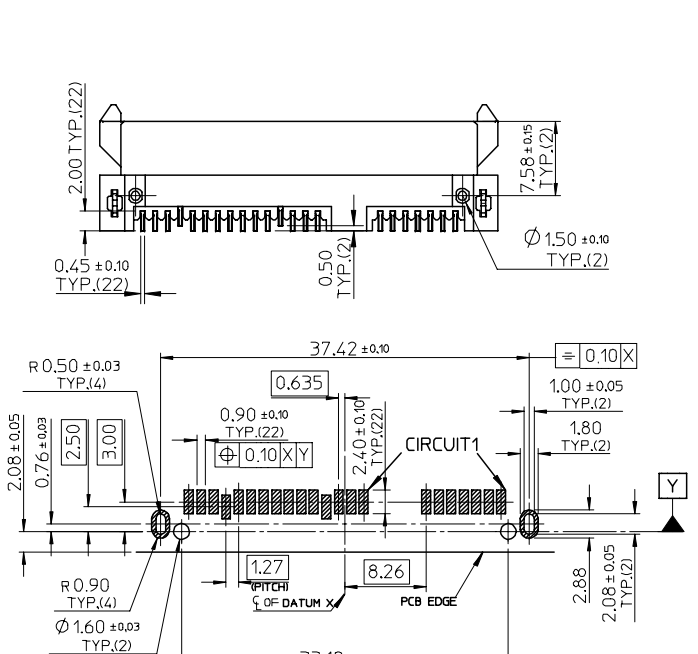
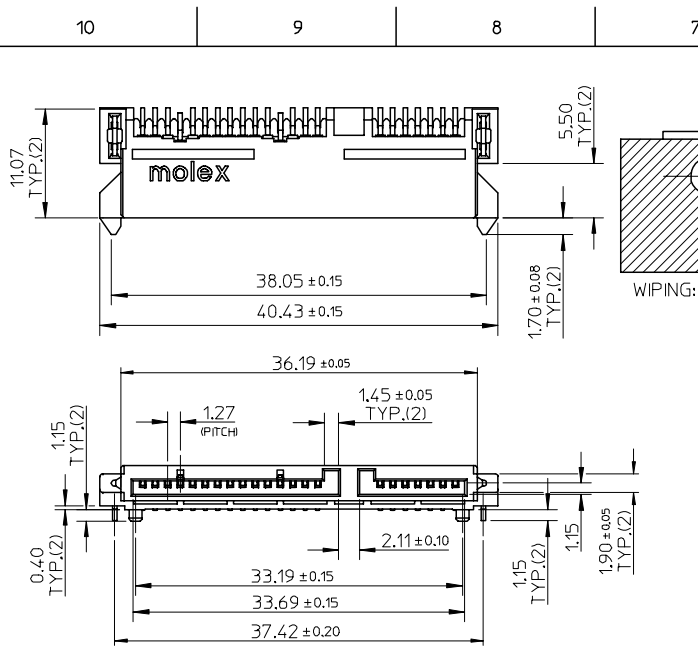
PK-67492-006

Sales Drawing

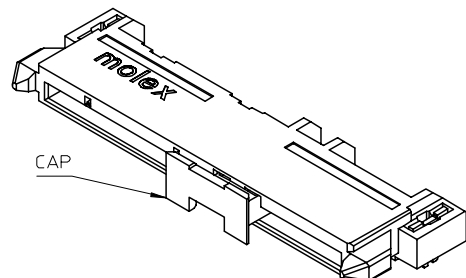
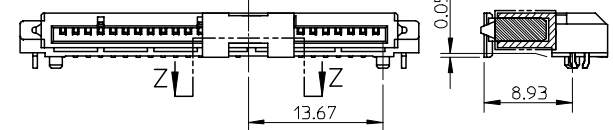
SD-67492-010

This document was generated on 05/31/2010

**PLEASE CHECK [WWW.MOLEX.COM](http://WWW.MOLEX.COM) FOR LATEST PART INFORMATION**



SECTION Z-Z



- NOTES:**
- MATERIAL:**  
HOUSING: HIGH TEMPERATURE THERMAL PLASTIC, UL94V-0, COLOR: BLACK.  
TERMINAL: COPPER ALLOY,  
FORKLOCK: COPPER ALLOY.
  - TERMINAL PLATING :**  
CONTACT AREA:  
(A) GOLD FLASH;  
(B) GOLD, THICKNESS=0.76 MICRONS MINIMUM,  
(C) GOLD, THICKNESS=0.38 MICRONS MINIMUM,  
SOLDER AREA: TIN, THICKNESS=1.27 MICRONS MINIMUM,  
UNDER PLATE: NICKEL, THICKNESS=1.27 MICRONS MINIMUM.
  - FORKLOCK PLATING:**  
SOLDER AREA: TIN, THICKNESS=1.27 MICRONS MINIMUM,  
UNDER PLATE: NICKEL, THICKNESS=1.27 MICRONS MINIMUM.
  - PRODUCT SPECIFICATION:** REFER TO PS-67492-001.
  - PACKAGING METHOD:** TAPE REEL, DETAIL REFER TO PK-67492-006.
  - MATING PARTS:** 87703/87672.

P/N	PLATING	REMARK
67492-1930	NOTES 2 (A)	WITH CAP
67492-1931	NOTES 2 (B)	
67492-1932	NOTES 2 (C)	WITHOUT CAP
67492-1920	NOTES 2 (A)	
67492-1921	NOTES 2 (B)	
67492-1922	NOTES 2 (C)	

<b>REVISED</b> EC NO: SH2007-0456 DRWN: HZH006 CHKD: J.TAN APPR: J.NCHEN	<b>QUALITY SYMBOLS</b> ▽=0 ◁=0	<b>GENERAL TOLERANCES (UNLESS SPECIFIED)</b>		<b>DIMENSION STYLE</b> MM ONLY		<b>SCALE</b> 2:1	<b>DESIGN UNITS</b> METRIC	<b>THIRD ANGLE PROJECTION</b>		
			mm	INCH	<b>DRAWN BY</b> DIXON LI	<b>DATE</b> 2006/02/08	<b>TITLE</b> SATA HOST RECEPTACLE R/A SMT TYPE -LEAD FREE-			
			4 PLACES ±---	±---	<b>CHECKED BY</b> JENNY ZENG	<b>DATE</b> 2006/02/08	<b>MOLEX INCORPORATED</b>			
			3 PLACES ±---	±---	<b>APPROVED BY</b> GRATE MA	<b>DATE</b> 2006/02/08				
<b>REV</b> A1	<b>DESCRIPTION</b> CIRCUIT1	<b>ANGULAR</b> ± 3 °		<b>MATERIAL NO.</b> SEE TABLE	<b>DOCUMENT NO.</b> SD-67492-010	<b>SHEET NO.</b> 1 OF 1				
<b>DRAFT WHERE APPLICABLE MUST REMAIN WITHIN DIMENSIONS</b>		<b>SIZE</b> A3		THIS DRAWING CONTAINS INFORMATION THAT IS PROPRIETARY TO MOLEX INCORPORATED AND SHOULD NOT BE USED WITHOUT WRITTEN PERMISSION						