

**PLEASE CHECK WWW.MOLEX.COM FOR LATEST PART INFORMATION**

**Part Number:** [0524651271](#)  
**Status:** **Active**  
**Description:** 0.80mm (.031") Pitch Board-to-Board Receptacle, Surface Mount, Dual Row, 12 Circuits, Lead-free

**Documents:**

<a href="#">3D Model</a>	<a href="#">Product Specification PS-52465-014 (PDF)</a>
<a href="#">Drawing (PDF)</a>	<a href="#">Product Specification PS-52465-015 (PDF)</a>
<a href="#">Product Specification PS-52465-010 (PDF)</a>	<a href="#">RoHS Certificate of Compliance (PDF)</a>

**General**

Product Family	PCB Receptacles
Series	<a href="#">52465</a>
Application	Board-to-Board
Product Name	N/A

**Physical**

Circuits (Loaded)	12
Color - Resin	Natural
Durability (mating cycles max)	30
Glow-Wire Compliant	No
Mated Height (in)	0.177 In, 0.222 In, 0.256 In
Mated Height (mm)	4.50 mm, 5.65 mm, 7.00 mm
Material - Metal	Phosphor Bronze
Material - Plating Mating	Tin
Material - Plating Termination	Tin
Material - Resin	High Temperature Thermoplastic
Number of Rows	2
Orientation	Vertical
PCB Locator	No
PCB Retention	None
Packaging Type	Embossed Tape on Reel
Pitch - Mating Interface (in)	0.031 In
Pitch - Mating Interface (mm)	0.80 mm
Plating min: Mating (µin)	40
Plating min: Mating (µm)	1
Plating min: Termination (µin)	40
Plating min: Termination (µm)	1
Polarized to PCB	No
Surface Mount Compatible (SMC)	N/A
Temperature Range - Operating	-20°C to +105°C
Termination Interface: Style	Surface Mount

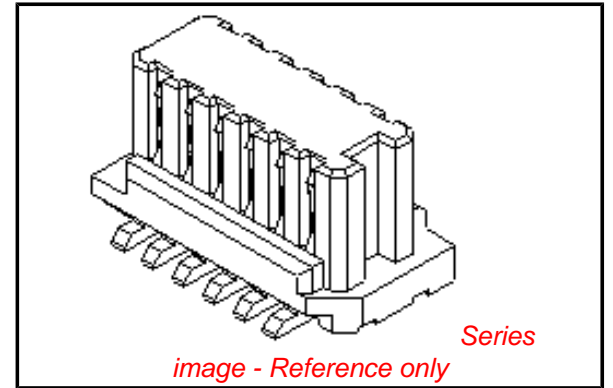
**Electrical**

Current - Maximum per Contact	0.5A
Voltage - Maximum	50V

**Material Info**

**Reference - Drawing Numbers**

Packaging Specification	SPK-52465-002
Product Specification	PS-52465-010, PS-52465-014, PS-52465-015, RPS-52465-042, RPS-52465-044, RPS-52465-045, RPS-52465-047, RPS-52465-048, RPS-52465-049, RPS-52465-052
Sales Drawing	SD-52465-028, SD-52465-029



**EU RoHS**

**ELV and RoHS Compliant**  
**REACH SVHC**  
 Not Reviewed  
**Halogen-Free Status**

**China RoHS**



**Need more information on product environmental compliance?**

Email [productcompliance@molex.com](mailto:productcompliance@molex.com)  
 For a multiple part number RoHS Certificate of Compliance, [click here](#)

Please visit the [Contact Us](#) section for any non-product compliance questions.

**Search Parts in this Series**

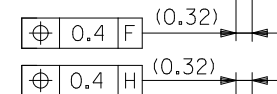
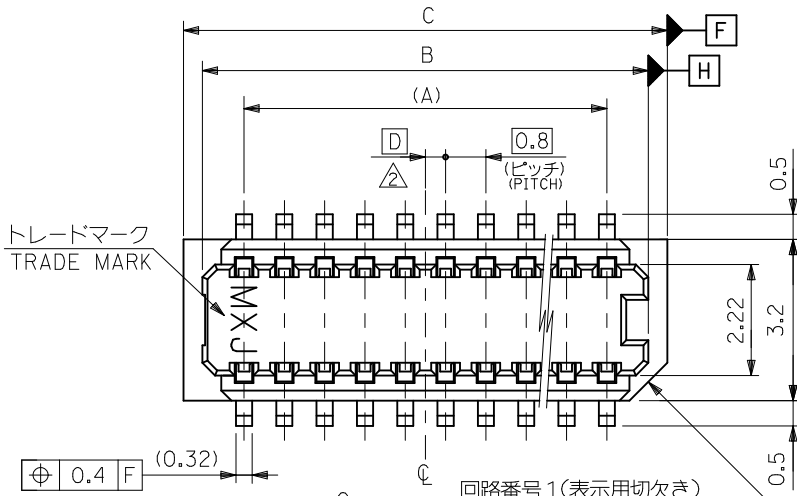
[52465Series](#)

**Mates With**

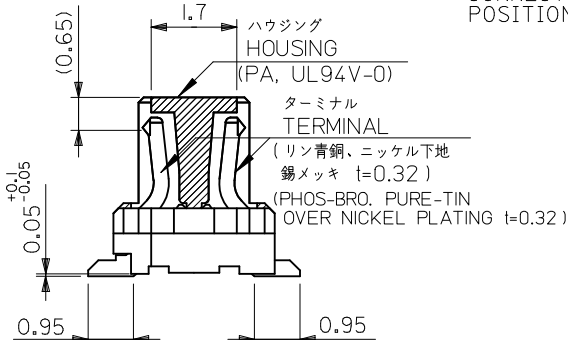
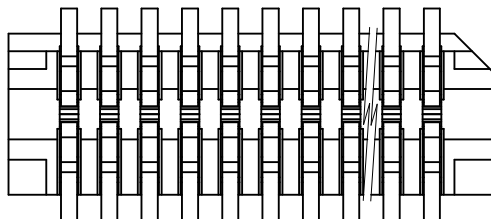
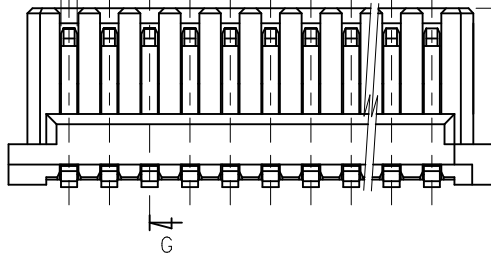
[53364](#) , [53307](#) , [53309](#)

This document was generated on 06/07/2010

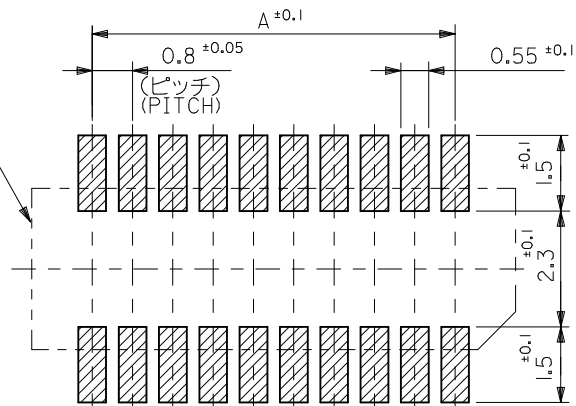
**PLEASE CHECK [WWW.MOLEX.COM](http://WWW.MOLEX.COM) FOR LATEST PART INFORMATION**



回路番号 1 (表示用切欠き)  
CHAMFERING TO INDICATE CKT. NO.1



SECT. G-G



参考基板レイアウト (マウント面)  
P.C.B. PATTERN LAYOUT (REF.) (MOUNT AREA)

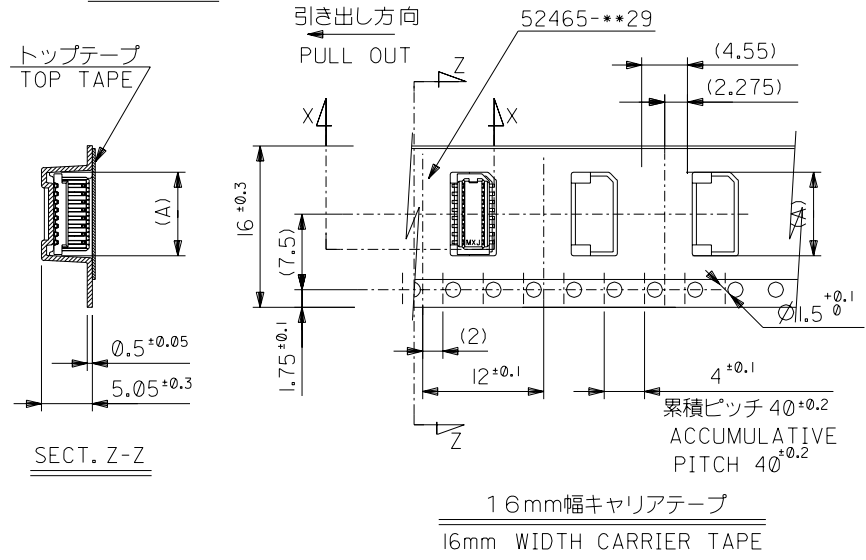
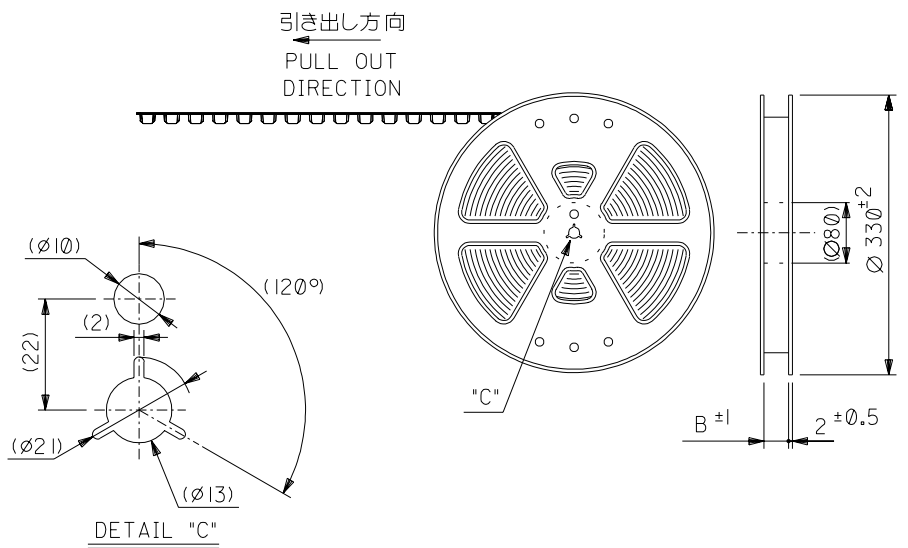
0.4	17.6	16.85	15.2	52465-4071	52465-4029	40
0.8	16.8	16.05	14.4	52465-3871	52465-3829	38
0.4	16.0	15.25	13.6	52465-3671	52465-3629	36
0.8	15.2	14.45	12.8	52465-3471	52465-3429	34
0.4	14.4	13.65	12.0	52465-3271	52465-3229	32
0.8	13.6	12.85	11.2	52465-3071	52465-3029	30
0.4	12.8	12.05	10.4	52465-2871	52465-2829	28
0.8	12.0	11.25	9.6	52465-2671	52465-2629	26
0.4	11.2	10.45	8.8	52465-2471	52465-2429	24
0.8	10.4	9.65	8.0	52465-2271	52465-2229	22
0.4	9.6	8.85	7.2	52465-2071	52465-2029	20
0.8	8.8	8.05	6.4	52465-1871	52465-1829	18
0.4	8.0	7.25	5.6	52465-1671	52465-1629	16
0.8	7.2	6.45	4.8	52465-1471	52465-1429	14
0.4	6.4	5.65	4.0	52465-1271	52465-1229	12
0.8	5.6	4.85	3.2	52465-1071	52465-1029	10
D	C	B	A	EMBOSSED TAPE ORDER No.	MATERIAL NO.	CKT.

NOTES

1. 嵌合相手：53307, 53309 シリーズ  
MATES WITH 53307, 53309 SERIES
2. ハウジングの C から隣接するターミナルの C 迄の位置を示す。  
SHOW POSITION FROM C OF HOUSING TO C OF ADJACENT TERMINALS.
3. 一對の基板の嵌合に於いて、本製品を2個以上使用することは推奨できません。  
MXJ DOSE NOT RECOMMEND THE USAGE OF TWO OR MORE OF THESE CONNECTORS BETWEEN A SINGLE PAIR OF P. C. BOARD.
4. 本製品は 52465-\*\*27 の鉛フリー品である。  
THIS PRODUCT IS LEAD FREE OF 52465-\*\*27.
5. ELV及びRoHS適合品  
ELV AND RoHS COMPLIANT

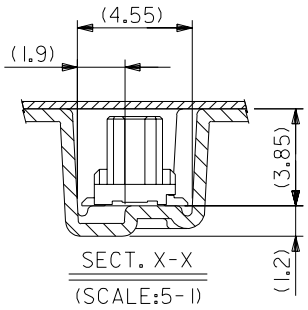
REVISED EC NO: J2010-0755 DRWN: TAKAGAWA01 2008/12/17 CHKD: SMARUYAMA 2010/03/24 APPR: MSASAO 2010/03/25	DESCRIPTION	GENERAL TOLERANCES (UNLESS SPECIFIED)		DIMENSION STYLE MM ONLY		SCALE 10:1		DESIGN UNITS METRIC		THIRD ANGLE PROJECTION	
		10 UNDER	±0.2	DRAWN BY Y. SAKIYAMA	DATE 2004/02/17	TITLE 0.8 BOARD TO BOARD CONN. HOUSING ASSY SMT					
		10 OVER 30 UNDER	±0.25	CHECKED BY M. SASAO	DATE 2004/02/17						
		30 OVER	±0.3	APPROVED BY M. SASAO	DATE 2004/02/17						
A	REV	ANGULAR ±3 °		MATERIAL NO. SEE TABLE		DOCUMENT NO. SD-52465-028		SHEET NO. 1 OF 1		THIS DRAWING CONTAINS INFORMATION THAT IS PROPRIETARY TO MOLEX INCORPORATED AND SHOULD NOT BE USED WITHOUT WRITTEN PERMISSION	
DRAFT WHERE APPLICABLE MUST REMAIN WITHIN DIMENSIONS		SIZE A3									

DWG. NO. SD-52465-029



NOTES

- 梱包数量: 1000 個/リール NUMBER OF CONNECTORS: 1000 PCS/REEL
- リードテープ長さ LEAD TAPE LENGTH  
 トップテープ リーダー部 TOP TAPE LEADER PART 175 ±25  
 トップテープ 未接着部 TOP TAPE NON-BONDED PART 25 ±5  
 リーダー部 (空部) LEADER PART (EMPTY) 120 ±20  
 部品挿入部 COMPONENT SUPPLIER  
 末端部 (空部) TAIL PART (EMPTY) 150 ±40
- トップテープの剥離強度: 0.1 ~ 1.3N (10 ~ 130gf) (剥離方向は下図参照)  
 尚、本規格値は、出荷時に適用。(但し、輸送時に剥離が発生しない事。)  
 PEELING OFF FORCE OF TOP TAPE: 0.1 ~ 1.3N (10 ~ 130gf)  
 (PEELING DIRECTION AS SHOWN IN FOLLOWING FIG.)  
 THIS REQUIREMENT SHOULD BE APPLIED AT SHIPMENT  
 PEEL OFF SHOULD NOT BE ALLOWED, DURING TRANSPORTATION  
 剥離方向 PEEL OFF DIRECTION 10°
- 材料  
 キャリアテープ: ポリプロピレン (PP) CARRIER TAPE: POLYPROPYLENE  
 トップテープ: PET, PE, PEF TOP TAPE: PET, PE, PEF  
 リール: ポリスチレン (PS) REEL: POLYSTYRENE (PS)  
 <リサイクル材を含む> <RECYCLE MATERIAL CONTAINED>



5. 本製品は 52465-\*\*\*91 の鉛フリー品である。  
 THIS PRODUCT IS LEAD FREE OF 52465-\*\*\*91.

16	17.5	9.1	52465-1871	18
		8.3	52465-1671	16
		7.5	52465-1471	14
		6.7	52465-1271	12
		5.9	52465-1071	10
キャリアテープ幅 CARRIER TAPE WIDTH	B	(A)	MATERIAL NO.	CIRCUITS

EC NO. DRWN: CHK: APPR:	EC NO. DRWN: CHK: APPR:	EC NO. DRWN: CHK: APPR:	EC NO. DRWN: CHK: APPR:
EC NO. DRWN: CHK: APPR:	EC NO. DRWN: CHK: APPR:	EC NO. DRWN: CHK: APPR:	EC NO. DRWN: CHK: APPR:
EC NO. DRWN: CHK: APPR:	EC NO. DRWN: CHK: APPR:	EC NO. DRWN: CHK: APPR:	EC NO. DRWN: CHK: APPR:

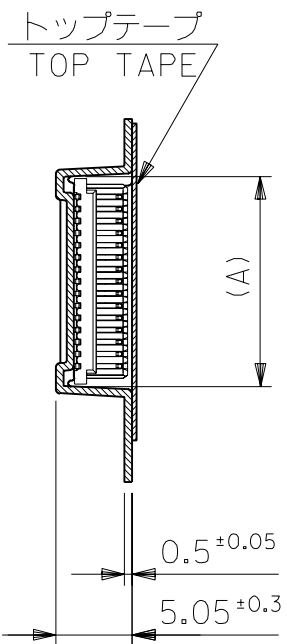
RELEASED '04/02/17 EC NO. J2004-2482 DRWN: Y.SAKIYAMA CHK: M.SASAO APPR: M.SASAO	DESCRIPTION MATERIAL 材料 SEE NOTES FINISH 仕上げ // WIRE RANGE 適用電線範囲 // INS. RANGE 被覆外径 //
--	---

GENERAL TOLERANCES: (UNLESS SPECIFIED) 一般公差	SCALE	DESIGN UNITS mm □ INCH	THIRD ANGLE PROJECTION
10 UNDER 未満 ±0.2	1:1	mm □ INCH	☉ □
10 OVER 30 UNDER 未満 ±0.25			
30 OVER 以上 ±0.3			
ANGLE 角度 ±3°			

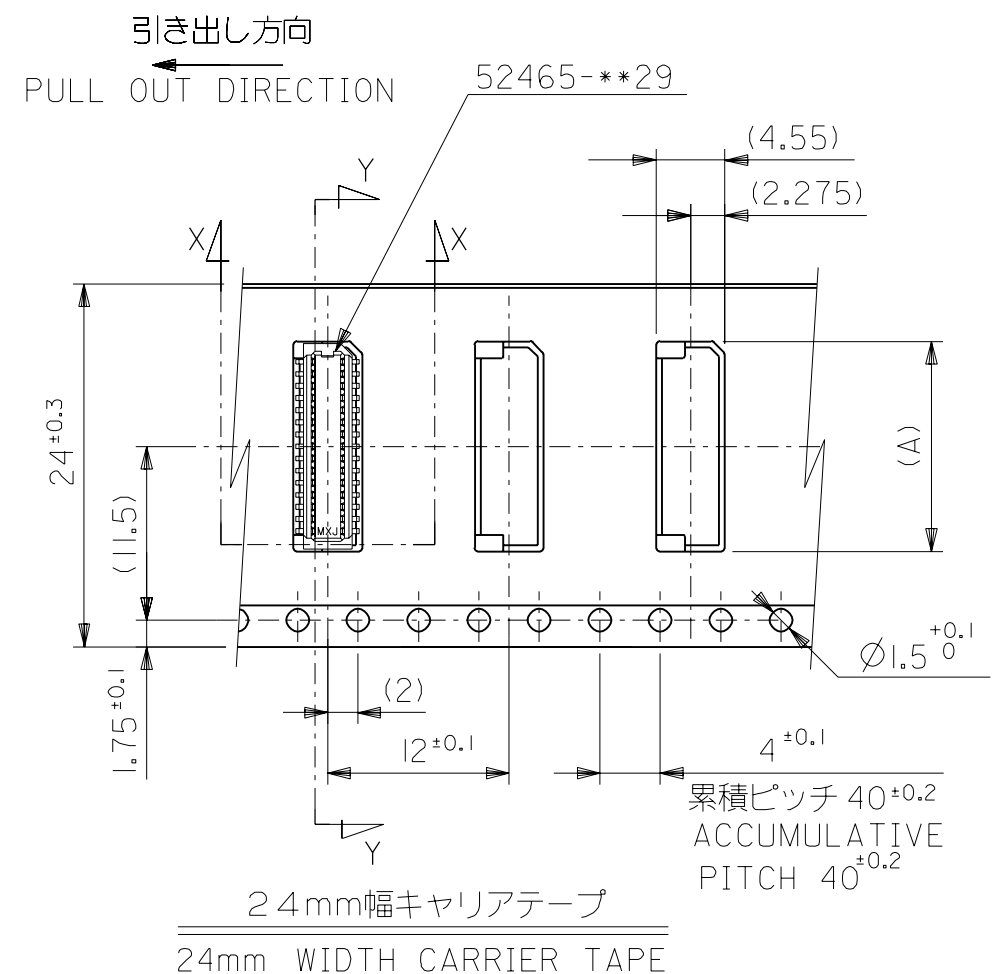
MODEL NO. 52465-***71	DIMENSIONS: mm □ INCH mm □ ONLY		SHT	REV
DRAWN BY & DATE Y.SAKIYAMA '04/02/17		TITLE: 0.8 B-To-B Hsg Assy SMT Embstp Pkg -LEAD FREE-		
CHECKED BY & DATE M.SASAO '04/02/17		MOLEX MOLEX INCORPORATED		
APPROVED BY & DATE M.SASAO '04/02/17		MATERIAL NO.	DRAWING NO.	SHEET NO.
CAD FILENAME SD-52465-029.S01		SEE CHART	SD-52465-029	1 OF 2
THIS DRAWING CONTAINS INFORMATION THAT IS PROPRIETARY TO MOLEX INCORPORATED AND SHOULD NOT BE USED WITHOUT WRITTEN PERMISSION.				SIZE B

DO NOT SCALE DRAWING

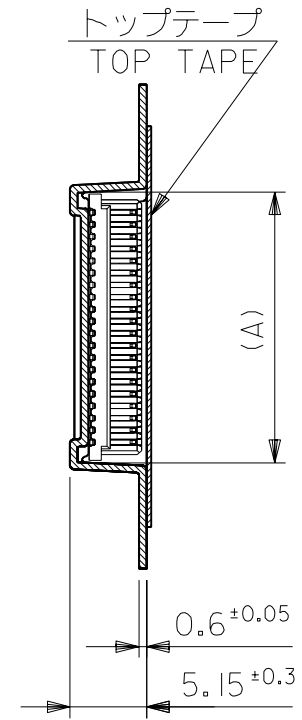
DWG. NO.  
SD-52465-029



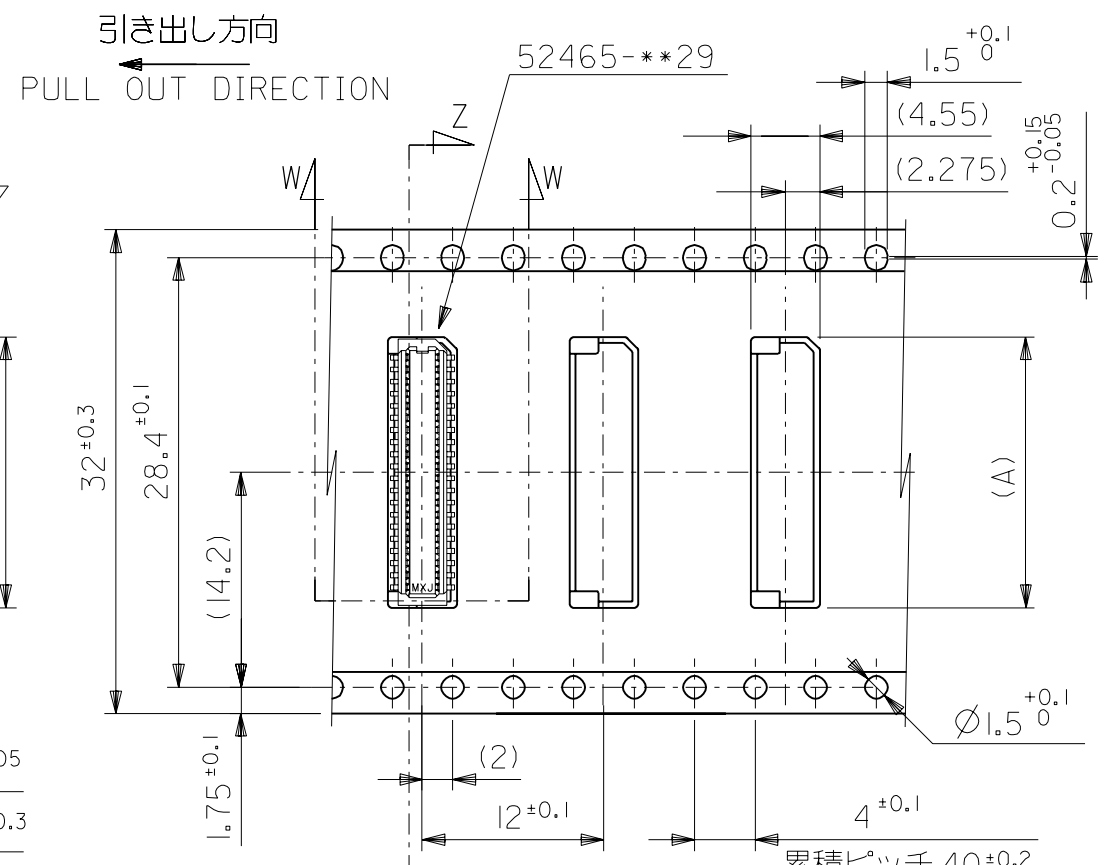
SECT. Y-Y



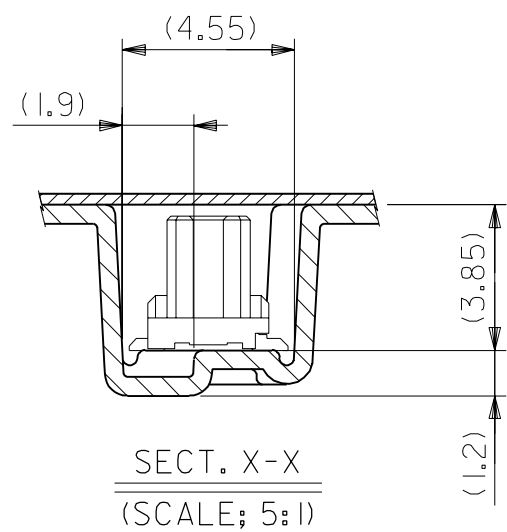
24mm幅キャリアテープ  
24mm WIDTH CARRIER TAPE



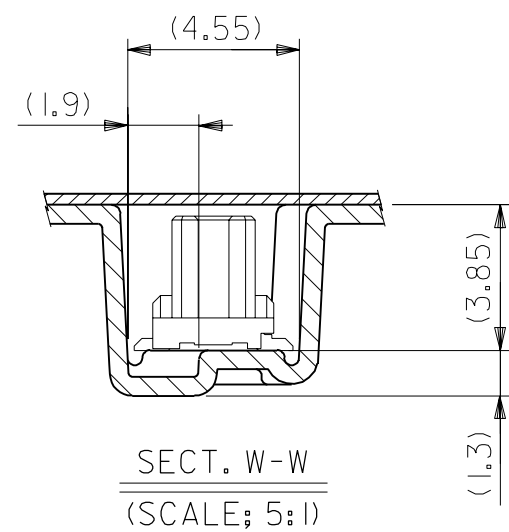
SECT. Z-Z



32mm幅キャリアテープ  
32mm WIDTH CARRIER TAPE



SECT. X-X  
(SCALE; 5:1)



SECT. W-W  
(SCALE; 5:1)

24	32	33.5	17.9	52465-4071	40
			17.1	52465-3871	38
			16.3	52465-3671	36
			15.5	52465-3471	34
			14.7	52465-3271	32
			13.9	52465-3071	30
			13.1	52465-2871	28
			12.3	52465-2671	26
			11.5	52465-2471	24
	10.7	52465-2271	22		
	9.9	52465-2071	20		
キャリアテープ幅 CARRIER TAPE WIDTH		B	(A)	MATERIAL NO.	CIRCUITS

MODEL NO.	52465-***71	DIMENSIONS:		SHT	REV
SCALE	---	DESIGN UNITS	<input type="checkbox"/> mm <input type="checkbox"/> INCH	<input type="checkbox"/> mm <input checked="" type="checkbox"/> INCH	THIRD ANGLE PROJECTION
GENERAL TOLERANCES: (UNLESS SPECIFIED) 一般公差	10 UNDER 未満 ±0.2	10 OVER 以上 30 UNDER 未満 ±0.25	30 OVER 以上 ±0.3	ANGLE 角度 ±3°	
DRAWN BY & DATE Y.SAKIYAMA '04/02/17	TITLE: 0.8 B-To-B Hsg Assy SMT Embstp Pkg -LEAD FREE-				
CHECKED BY & DATE M.SASAO '04/02/17	MOLEX INCORPORATED				
APPROVED BY & DATE M.SASAO '04/02/17	MATERIAL NO.	DRAWING NO.	SHEET NO.		
CAD FILENAME SD-52465-029.S02	SEE CHART	SD-52465-029	2 OF 2		
THIS DRAWING CONTAINS INFORMATION THAT IS PROPRIETARY TO MOLEX INCORPORATED AND SHOULD NOT BE USED WITHOUT WRITTEN PERMISSION.					
				SIZE	B

DO NOT SCALE DRAWING

EC NO.	DRWN:	CH'K:	APPR:	EC NO.	DRWN:	CH'K:	APPR:	EC NO.	DRWN:	CH'K:	APPR:	EC NO.	DRWN:	CH'K:	APPR:
RELEASED '04/02/17															
EC NO. J2004-2482															
DRWN: Y.SAKIYAMA															
CH'K: M.SASAO															
APPR: M.SASAO															
DESCRIPTION															
MATERIAL 材料 SEE SHEET 1 OF 2															
FINISH 仕上げ //															
WIRE RANGE 適用電線範囲 //															
INS. RANGE 被覆外径 //															
REV															
0															

SD-52465-029.S02