

PLEASE CHECK WWW.MOLEX.COM FOR LATEST PART INFORMATION

Part Number: **0483255002**
Status: **Active**
Overview: slimline serial ata odd connectors
Description: 1.00mm (.039"), 1.27mm (.050") Pitch Slimline Serial ATA Receptacle, Right Angle, Reverse Type, Through Hole, 0.38µm (15µ") Gold (Au) Plating, Mounted Height: 10.80mm (.425"), with Cap and Screw, Lead free

Documents:

[3D Model](#) [Product Specification PS-48321-001 \(PDF\)](#)
[Drawing \(PDF\)](#) [RoHS Certificate of Compliance \(PDF\)](#)

Agency Certification

CSA LR19980
 UL E29179

General

Product Family PCB Receptacles
 Series 48325
 Application Board-to-Board
 Comments Screw version
 Overview slimline serial ata odd connectors
 Product Name Serial ATA, Slimline Serial ATA

Physical

Circuits (Loaded) 13
 Circuits (maximum) 13
 Color - Resin Black
 Durability (mating cycles max) 500
 Flammability 94V-0
 Glow-Wire Compliant No
 Guide to Mating Part Yes
 Keying to Mating Part Yes
 Lock to Mating Part No
 Material - Metal Copper Alloy
 Material - Plating Mating Gold
 Material - Plating Termination Tin
 Material - Resin High Temperature Thermoplastic
 Number of Rows 1
 Orientation Right Angle
 PC Tail Length (in) 0.071 In
 PC Tail Length (mm) 1.80 mm
 PCB Locator Yes
 PCB Retention Yes
 PCB Thickness Recommended (in) 0.047 In
 PCB Thickness Recommended (mm) 1.20 mm
 Packaging Type Embossed Tape on Reel
 Pitch - Mating Interface (in) 0.039 In, 0.050 In
 Pitch - Mating Interface (mm) 1.00 mm, 1.27 mm
 Pitch - Term. Interface (in) 0.039 In, 0.050 In
 Pitch - Term. Interface (mm) 1.00 mm, 1.27 mm
 Plating min: Mating (µin) 15
 Plating min: Mating (µm) 0.38
 Plating min: Termination (µin) 100
 Plating min: Termination (µm) 2.54
 Polarized to Mating Part Yes
 Polarized to PCB Yes

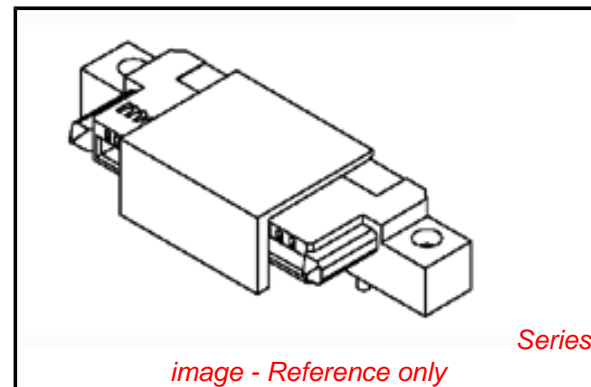


image - Reference only

EU RoHS

**ELV and RoHS
 Compliant**
**REACH SVHC
 Not Reviewed**
**Halogen-Free
 Status
 Not Reviewed**

China RoHS



**Need more information on product
 environmental compliance?**

Email productcompliance@molex.com
 For a multiple part number RoHS Certificate of Compliance, [click here](#)

Please visit the [Contact Us](#) section for any non-product compliance questions.

Search Parts in this Series

[48325Series](#)

Mates With

[473001xxx Slimline Serial ATA Plugs](#)

Robotic Placement	Pick and Place Cap
Stackable	No
Surface Mount Compatible (SMC)	Yes
Temperature Range - Operating	-40°C to +85°C
Termination Interface: Style	Through Hole

Electrical

Current - Maximum per Contact	1A
Grounding to PCB	Yes
Voltage - Maximum	15V (RMS)

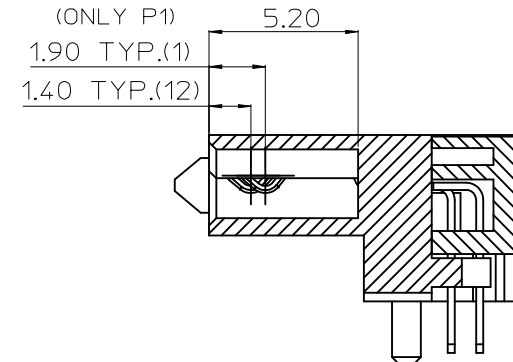
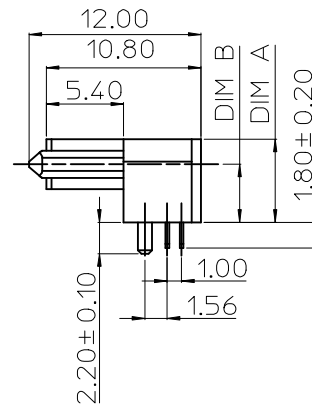
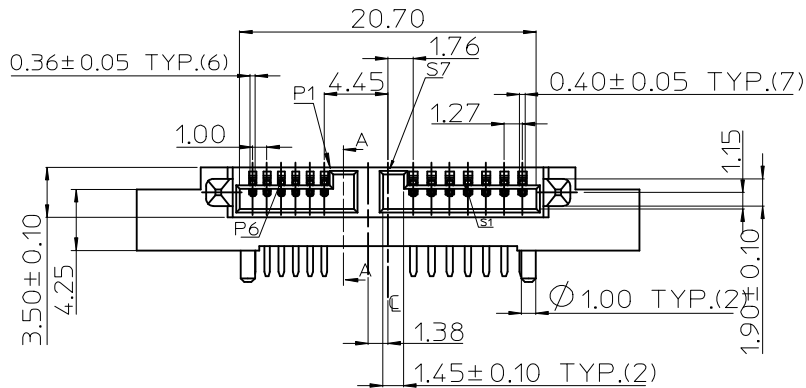
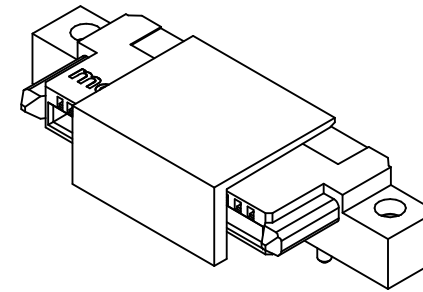
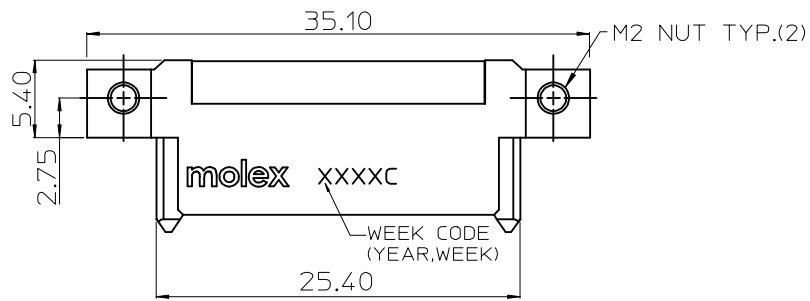
Material Info

Reference - Drawing Numbers

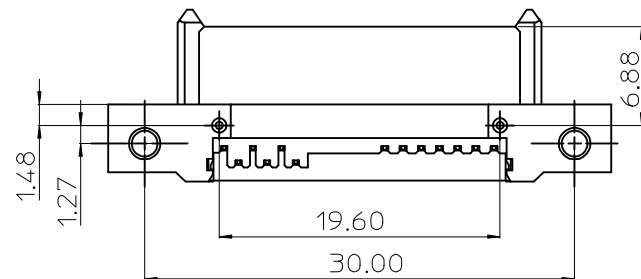
Packaging Specification	PK-48325-001
Product Specification	PS-48321-001
Sales Drawing	SD-48325-001
Test Summary	TS-48325-001

This document was generated on 05/31/2010

PLEASE CHECK WWW.MOLEX.COM FOR LATEST PART INFORMATION



SECTION A-A
SCALE 2:1



CHANGE NUT MATERIAL
EC NO: SH2008-0643
DRW: LLIU10
CHK: DAV10
APPR: HWANG
2008/10/13

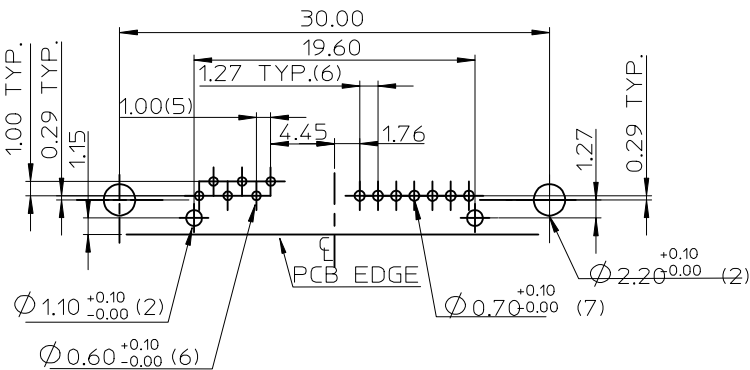
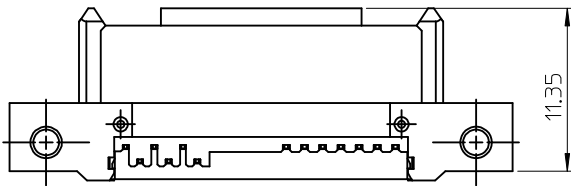
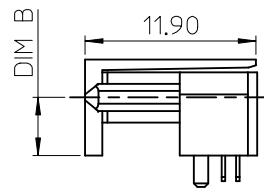
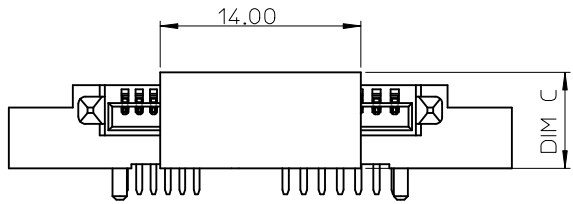
QUALITY SYMBOLS
▽=0
∇=0

GENERAL TOLERANCES (UNLESS SPECIFIED)	
mm	INCH
4 PLACES ± ---	± ---
3 PLACES ± ---	± ---
2 PLACES ± 0.25	± ---
1 PLACE ± 0.25	± ---
ANGULAR ± 3 °	

DRAFT WHERE APPLICABLE
MUST REMAIN
WITHIN DIMENSIONS

DIMENSION STYLE	
MM ONLY	
DRAWN BY	DATE
LINDA	2008/01/04
CHECKED BY	DATE
ALLEN LIN	2008/01/07
APPROVED BY	DATE
ERICK LAN	2008/01/07
MATERIAL NO.	
SEE TABLE	

SCALE	DESIGN UNITS	THIRD ANGLE PROJECTION
1:1	METRIC	THIRD ANGLE PROJECTION
TITLE		
SLIMLINE SATA RECEPTACLE REVERSE RIGHT ANGLE WITH SCREW		
MOLEX INCORPORATED		
DOCUMENT NO.		SHEET NO.
SD-48325-001		1 OF 2



RECOMMENDED PC BOARD LAYOUT
TOLERANCE: ±0.05mm(TOP VIEW)

P/N	PLATING OPTIONS	DIM A	DIM B	DIM C	WITHSTANDING MFG TEST
48325-4001	GOLD FLASH	5.80	4.05	6.70	NO
48325-4002	15 MICROINCH				NO
48325-4003	30 MICROINCH				YES
48325-5001	GOLD FLASH	10.80	9.05	11.70	NO
48325-5002	15 MICROINCH				NO
48325-5003	30 MICROINCH				YES
48325-6001	GOLD FLASH	7.30	5.55	8.20	NO
48325-6002	15 MICROINCH				NO
48325-6003	30 MICROINCH				YES

NOTES:

- MATERIAL:
 HOUSING & CAP: LIQUID CRYSTAL POLYMER, GLASS FIBER FILLED, UL94V-0, COLOR: BLACK.
 TERMINAL: COPPER ALLOY.
 NUT: ZINC ALLOY.
- PLATING:
 TERMINAL:
 CONTACT AREA: SEE TABLE
 SOLDER TAIL: MATTE TIN, THICKNESS=100 MICROINCH MIN/2.54 MICROMETER MIN.
 UNDER PLATE: NICKEL(NI).
 NUT: NICKEL(NI), THICKNESS=50 MICROINCH MIN/1.27 MICROMETER MIN.
- MATES WITH: SERIES 47300.
- RECOMMENDED PCB THICKNESS: 1.20 ± 0.05mm
- PRODUCT SPECIFICATION REFER TO PS-48321-001
- TEST SUMMARY REFER TO TS-48325-001
- PACKAGING SPECIFICATION REFER TO PK-48325-001
- LEAD FREE & RoHS COMPLIANT PRODUCT.

SEE SHEET1	EC NO: SH2008-0643	2008/09/18
DRW: NLL1010	CHK: DAVID	2008/10/13
APP: HWANG		

REV	DESCRIPTION
▽=0	QUALITY SYMBOLS
▽=0	

GENERAL TOLERANCES (UNLESS SPECIFIED)	
mm	INCH
4 PLACES ± ---	± ---
3 PLACES ± ---	± ---
2 PLACES ± 0.25	± ---
1 PLACE ± 0.25	± ---
ANGULAR ± 3°	
DRAFT WHERE APPLICABLE MUST REMAIN WITHIN DIMENSIONS	

DIMENSION STYLE	
MM ONLY	
DRAWN BY	DATE
LINDA	2008/01/04
CHECKED BY	DATE
ALLEN LIN	2008/01/07
APPROVED BY	DATE
ERICK LAN	2008/01/07
MATERIAL NO.	
SEE TABLE	

SCALE	DESIGN UNITS	THIRD ANGLE PROJECTION
1:1	METRIC	
TITLE		
SLIMLINE SATA RECEPTACLE REVERSE RIGHT ANGLE WITH SCREW		
MOLEX INCORPORATED		SHEET NO.
DOCUMENT NO.		2 OF 2
SD-48325-001		
THIS DRAWING CONTAINS INFORMATION THAT IS PROPRIETARY TO MOLEX INCORPORATED AND SHOULD NOT BE USED WITHOUT WRITTEN PERMISSION		