

**PLEASE CHECK WWW.MOLEX.COM FOR LATEST PART INFORMATION**

**Part Number:** [0309681082](#)  
**Status:** **Active**  
**Overview:** hdac 64 dualrow high density automotive connectors  
**Description:** 2.54mm (.100") Pitch, 0.64mm (.025") Width H-DAC 64™ High Density Automotive Crimp Housing, Dual Row, 8 Circuits, Polarization Option #3, White

**Documents:**

[Application Specification \(PDF\)](#)      [Product Specification PS-30968-0001 \(PDF\)](#)  
[Drawing \(PDF\)](#)      [RoHS Certificate of Compliance \(PDF\)](#)

**General**

|                |  |
|----------------|--|
| Product Family | Crimp Housings   |
| Series         | <a href="#">30968</a>  |
| Comments       | Polarization Option #3   |
| Overview       | <a href="#">hdac 64 dualrow high density automotive connectors</a> |
| Product Name   | H-DAC 64™  |

**Physical**

|                               |                      |
|-------------------------------|----------------------|
| Circuits (maximum)            | 8                    |
| Circuits Detail               | 8                    |
| Color - Resin                 | White                |
| Gender                        | Male                 |
| Glow-Wire Compliant           | No                   |
| Keying to Mating Part         | None                 |
| Lock to Mating Part           | Yes                  |
| Material - Resin              | Modified Polystyrene |
| Number of Rows                | 2                    |
| Packaging Type                | Bag                  |
| Panel Mount                   | No                   |
| Pitch - Mating Interface (in) | 0.100 In             |
| Pitch - Mating Interface (mm) | 2.54 mm              |
| Polarized to Mating Part      | Yes                  |
| Stackable                     | No                   |
| Temperature Range - Operating | -40°C to +105°C      |

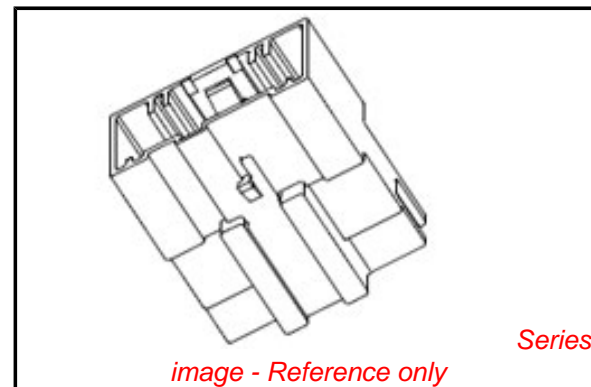
**Electrical**

|                               |    |
|-------------------------------|----|
| Current - Maximum per Contact | 7A |
|-------------------------------|----|

**Material Info**

**Reference - Drawing Numbers**

|                         |               |
|-------------------------|---------------|
| Packaging Specification | PK-30907-760  |
| Product Specification   | PS-30968-0001 |
| Sales Drawing           | SD-30968-120  |



**EU RoHS**

**ELV and RoHS  
Compliant**  
**REACH SVHC  
Not Reviewed**  
**Halogen-Free  
Status  
Not Reviewed**

**China RoHS**



**Need more information on product  
environmental compliance?**

Email [productcompliance@molex.com](mailto:productcompliance@molex.com)  
For a multiple part number RoHS Certificate of Compliance, [click here](#)

Please visit the [Contact Us](#) section for any non-product compliance questions.

**Search Parts in this Series**

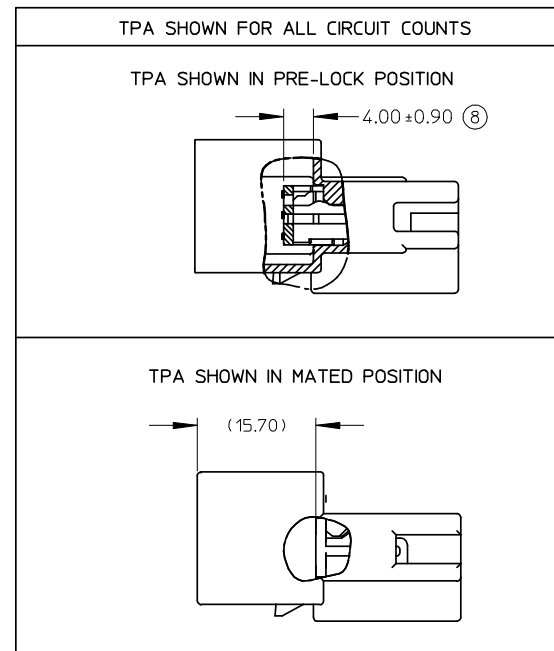
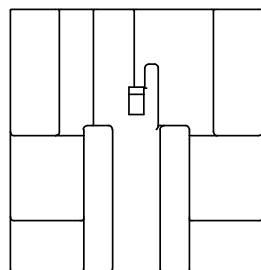
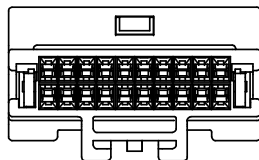
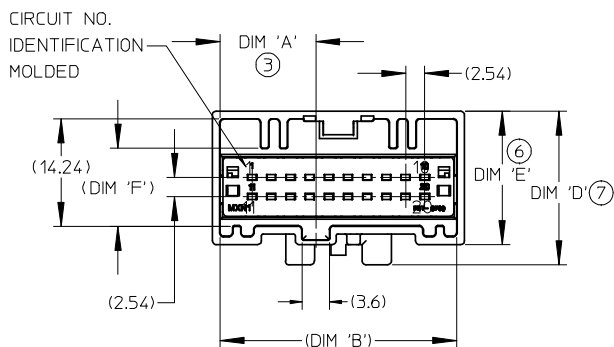
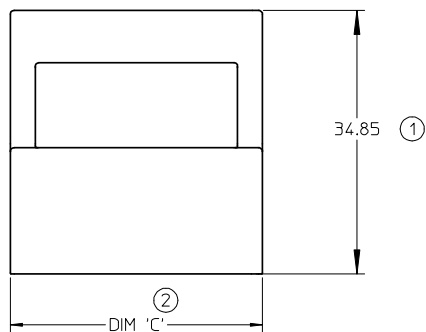
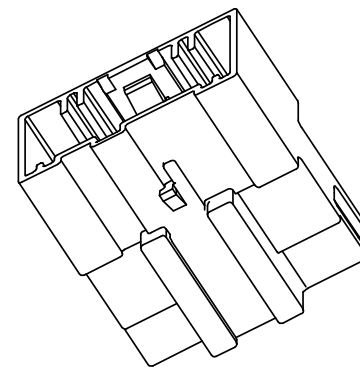
[30968Series](#)

**Mates With**

[30700-1\\*\\*\\*](#)|[31389-1\\*\\*\\*](#)

**Use With**

[34230](#) Terminal

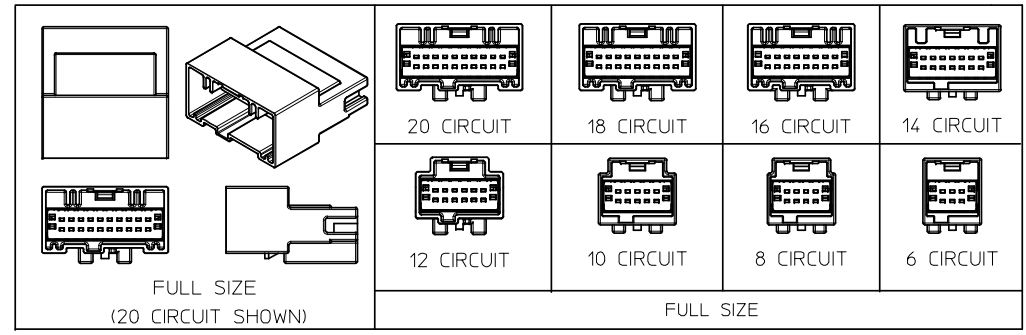


**20 CIRCUIT MALE INLINE  
HARNESS ASSEMBLY SHOWN.**

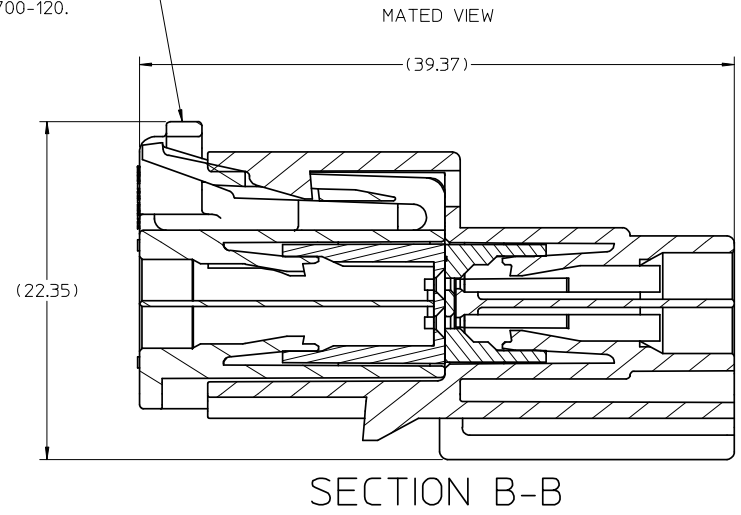
NOTES:

1. MATERIAL: HOUSING: SPS GLASS FILLED, COLOR SEE CHART. TPA: PBT.
2. PACKAGING SPECIFICATION: DRAWING PK-30907-760
3. PACKAGING: REFERENCE MOLEX SPECIFICATION PS-34646-001. AVAILABLE AT WWW.MOLEX.COM (REFERENCE: TPA'S THAT ARE FOUND IN SEATED (FINAL LOCK) POSITION.)
4. MATES WITH: SEE SALES DRAWING SD-30700-120
5. CONNECTOR IS DESIGNED FOR USE WITH TYCO TERMINAL PART NUMBERS: 1419158-6(22-24 AWG) AND 1419158-5 (18-20 AWG).

|  |                                   |  |                      |                                   |                        |   |                    |  |  |
|--|-----------------------------------|--|----------------------|-----------------------------------|------------------------|---|--------------------|--|--|
| EC NO: UAU2007-0766<br>DRWN:BDICK01 2008/01/23<br>CHKD: 2008/01/23<br>APPR: SMARCEAL2008/01/24 | QUALITY SYMBOLS<br>▽ = 0<br>▽ = 0 | GENERAL TOLERANCES (UNLESS SPECIFIED)                |                      | SCALE 2:1                         | DESIGN UNITS METRIC    | THIRD ANGLE PROJECTION                    | REVISE ON CAD ONLY |  |  |
|  |                                   | 4 PLACES ± --- ± ---                                 | 3 PLACES ± --- ± --- | DIMENSION STYLE MM ONLY           |                        | TITLE SLEEVE ASSEMBLY WIRE CONNECTOR MALE |                    |  |  |
|  |                                   | 2 PLACES ± 0.13 ± ---                                | 1 PLACE ± 0.25 ± --- | ANGULAR ± 1/2°                    |                        | DRAWN BY JKSIK DATE 99/09/03              | MOLEX INCORPORATED |  |  |
|  |                                   | DRAFT WHERE APPLICABLE MUST REMAIN WITHIN DIMENSIONS |                      | APPROVED BY BWILSON DATE 99/10/28 | MATERIAL NO. SEE CHART | DOCUMENT NO. SD-30968-120                 | SHEET NO. 1 OF 2   |  |  |



HARNESS ASSEMBLY  
SEE SALES DRAWING  
SD-30700-120.



| PACKAGING                | POLARIZATION OPTIONS & CIRCUIT SIZE                 |              |       | PRODUCT DIMENSIONS |       |       |       |       |                 |
|--------------------------|---|--------------|-------|--------------------|-------|-------|-------|-------|-----------------|
| ASSEMBLY P/N BULK PACKED | MALE INLINE HARNESS ASSEMBLY (POLARIZATION OPTIONS) | CIRCUIT SIZE | 'A'   | 'B'                | 'C'   | 'D'   | 'E'   | 'F'   | HOUSING COLOR   |
| 30968-1060               | POLARIZATION OPTION #1                              | 6            | 3.76  | 13.51              | 15.61 | 19.78 | 17.58 | 10.37 | GRAY            |
| 30968-1061               | POLARIZATION OPTION #2                              | 6            | 6.76  | 13.51              | 15.61 | 19.78 | 17.58 | 10.37 | BLACK           |
| 30968-1062               | POLARIZATION OPTION #3                              | 6            | 9.76  | 13.51              | 15.61 | 19.78 | 17.58 | 10.37 | NATURAL (CREAM) |
| 30968-1080               | POLARIZATION OPTION #1                              | 8            | 5.03  | 16.05              | 18.05 | 19.78 | 17.58 | 10.38 | GRAY            |
| 30968-1081               | POLARIZATION OPTION #2                              | 8            | 8.03  | 16.05              | 18.05 | 19.78 | 17.58 | 10.38 | BLACK           |
| 30968-1082               | POLARIZATION OPTION #3                              | 8            | 11.03 | 16.05              | 18.05 | 19.78 | 17.58 | 10.38 | NATURAL (CREAM) |
| 30968-1100               | POLARIZATION OPTION #1                              | 10           | 6.30  | 18.59              | 20.69 | 19.78 | 17.58 | 10.37 | GRAY            |
| 30968-1101               | POLARIZATION OPTION #2                              | 10           | 9.30  | 18.59              | 20.69 | 19.78 | 17.58 | 10.37 | BLACK           |
| 30968-1102               | POLARIZATION OPTION #3                              | 10           | 12.30 | 18.59              | 20.69 | 19.78 | 17.58 | 10.37 | NATURAL (CREAM) |
| 30968-1123               | POLARIZATION OPTION #1 W/ CHRISTMAS TREE ATTACHMENT | 12           | 7.57  | 20.98              | 23.23 | 20.34 | 17.64 | 10.34 | GRAY            |
| 30968-1127               | POLARIZATION OPTION #1                              | 12           | 7.57  | 21.28              | 23.23 | 20.34 | 17.64 | 10.34 | GRAY            |
| 30968-1126               | POLARIZATION OPTION #2 W/ CHRISTMAS TREE ATTACHMENT | 12           | 10.57 | 20.98              | 23.23 | 20.34 | 17.64 | 10.34 | BLACK           |
| 30968-1128               | POLARIZATION OPTION #2                              | 12           | 10.57 | 21.28              | 23.23 | 20.34 | 17.64 | 10.34 | BLACK           |
| 30968-1129               | POLARIZATION OPTION #3                              | 12           | 13.57 | 21.28              | 23.23 | 20.34 | 17.64 | 10.34 | NATURAL (CREAM) |
| 30968-1140               | POLARIZATION OPTION #1                              | 14           | 8.84  | 23.67              | 25.77 | 19.78 | 17.58 | 10.37 | GRAY            |
| 30968-1141               | POLARIZATION OPTION #2                              | 14           | 11.84 | 23.67              | 25.77 | 19.78 | 17.58 | 10.37 | BLACK           |
| 30968-1142               | POLARIZATION OPTION #3                              | 14           | 14.84 | 23.67              | 25.77 | 19.78 | 17.58 | 10.37 | NATURAL (CREAM) |
| 30968-1167               | POLARIZATION OPTION #1                              | 16           | 10.11 | 26.36              | 28.31 | 20.34 | 17.64 | 10.34 | GRAY            |
| 30968-1164               | POLARIZATION OPTION #1 W/ CHRISTMAS TREE ATTACHMENT | 16           | 10.11 | 26.06              | 28.31 | 20.34 | 17.64 | 10.34 | GRAY            |
| 30968-1168               | POLARIZATION OPTION #2                              | 16           | 13.11 | 26.36              | 28.31 | 20.34 | 17.64 | 10.34 | BLACK           |
| 30968-1169               | POLARIZATION OPTION #3                              | 16           | 16.11 | 26.36              | 28.31 | 20.34 | 17.64 | 10.34 | NATURAL (CREAM) |
| 30968-1187               | POLARIZATION OPTION #1                              | 18           | 11.38 | 28.90              | 30.85 | 20.34 | 17.64 | 10.34 | GRAY            |
| 30968-1188               | POLARIZATION OPTION #2                              | 18           | 14.38 | 28.90              | 30.85 | 20.34 | 17.64 | 10.34 | BLACK           |
| 30968-1189               | POLARIZATION OPTION #3                              | 18           | 17.38 | 28.90              | 30.85 | 20.34 | 17.64 | 10.34 | NATURAL (CREAM) |
| 30968-1207               | POLARIZATION OPTION #1                              | 20           | 12.65 | 31.44              | 33.39 | 20.34 | 17.64 | 10.34 | GRAY            |
| 30968-1208               | POLARIZATION OPTION #2                              | 20           | 15.65 | 31.44              | 33.39 | 20.34 | 17.64 | 10.34 | BLACK           |
| 30968-1209               | POLARIZATION OPTION #3                              | 20           | 18.65 | 31.44              | 33.39 | 20.34 | 17.64 | 10.34 | NATURAL (CREAM) |

|   |   |   |                 |              |                                     |                    |
|---|---|---|-----------------|--------------|-------------------------------------|--------------------|
| SEE ECN# UAU2001-0258<br>EC NO: UAU2007-0766<br>DRWN:BDICK01 2008/01/23<br>CHKD: 2008/01/23<br>APPR: SMARCEAL2008/01/24       | QUALITY SYMBOLS   | GENERAL TOLERANCES (UNLESS SPECIFIED)   | SCALE           | DESIGN UNITS | THIRD ANGLE PROJECTION              | REVISE ON CAD ONLY |
|   | ▽ 0<br>∇ 0  | mm    INCH<br>4 PLACES ± --- ± ---<br>3 PLACES ± --- ± ---<br>2 PLACES ± 0.13 ± ---<br>1 PLACE ± 0.25 ± ---<br>ANGULAR ± 1/2° | DIMENSION STYLE |              | TITLE                               |                    |
|   |   |   | MM ONLY         |              | SLEEVE ASSEMBLY WIRE CONNECTOR MALE |                    |
|   | DRAFT WHERE APPLICABLE<br>MUST REMAIN WITHIN DIMENSIONS | APPROVED BY   |                 | DATE         | MATERIAL NO.                        | DOCUMENT NO.       |
| BWLSON  |   | 99/10/28  | SEE CHART       | SD-30968-120 | 2 OF 2                              |                    |
| THIS DRAWING CONTAINS INFORMATION THAT IS PROPRIETARY TO MOLEX INCORPORATED AND SHOULD NOT BE USED WITHOUT WRITTEN PERMISSION |   |   |                 |              |                                     |                    |