

**PLEASE CHECK WWW.MOLEX.COM FOR LATEST PART INFORMATION**

**Part Number:** [0194190005](#)  
**Status:** **Active**  
**Overview:** [mx150l sealed connector system](#)  
**Description:** MX150L™ 4 Circuit Plug for 18-22 AWG Wire

**Documents:**

[3D Model](#) [Product Specification PS-19417-001 \(PDF\)](#)  
[Drawing \(PDF\)](#) [RoHS Certificate of Compliance \(PDF\)](#)

**Agency Certification**

CSA LR18689  
 UL E152602

**General**

Product Family Crimp Housings  
 Series [19419](#)  
 MolexKits Yes  
 Overview [mx150l sealed connector system](#)  
 Product Literature Order No 987650-2181  
 Product Name MX150L™

**Physical**

Circuits (maximum) 4  
 Flammability 94V-0  
 Gender Male  
 Glow-Wire Compliant No  
 Lock to Mating Part Yes  
 Number of Rows 2  
 Packaging Type Bag  
 Panel Mount No  
 Pitch - Mating Interface (in) 0.230 In  
 Pitch - Mating Interface (mm) 5.84 mm  
 Polarized to Mating Part Yes  
 Stackable No  
 Temperature Range - Operating -40°C to +125°C

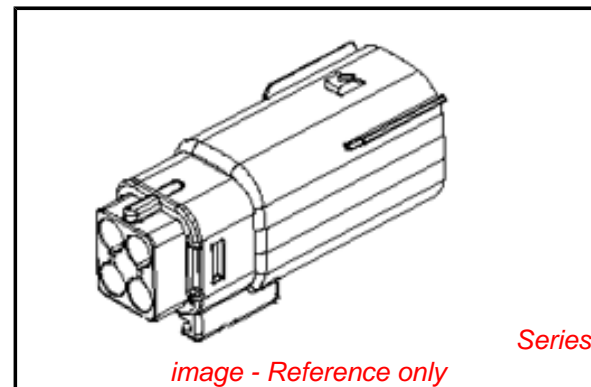
**Electrical**

Current - Maximum per Contact 18A

**Material Info**

**Reference - Drawing Numbers**

Application Specification AS-19417-001  
 Packaging Specification PK-19419-001  
 Product Specification PS-19417-001  
 Sales Drawing SD-19419-001



**EU RoHS**

**ELV and RoHS  
 Compliant**  
**REACH SVHC**  
 Not Reviewed  
**Halogen-Free  
 Status**  
 Not Reviewed

**China RoHS**



**Need more information on product  
 environmental compliance?**

Email [productcompliance@molex.com](mailto:productcompliance@molex.com)  
 For a multiple part number RoHS Certificate of  
 Compliance, [click here](#)

Please visit the [Contact Us](#) section for any  
 non-product compliance questions.

**Search Parts in this Series**

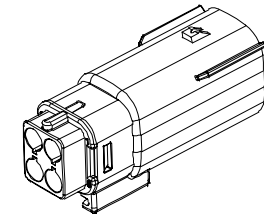
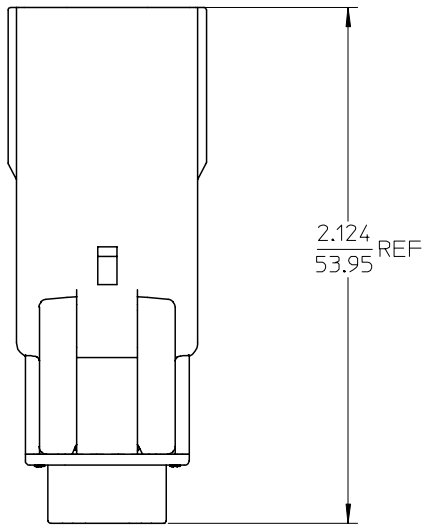
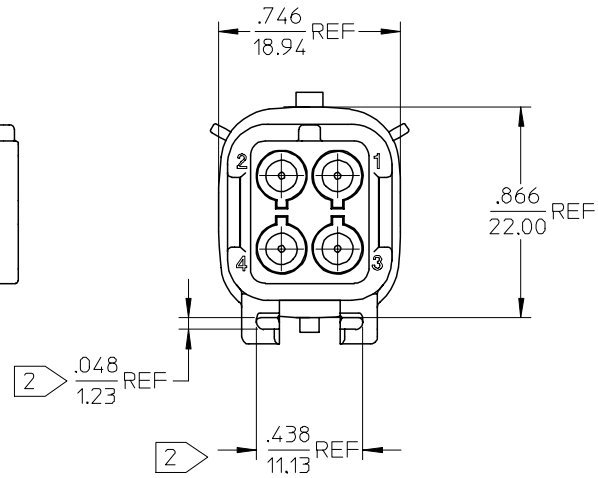
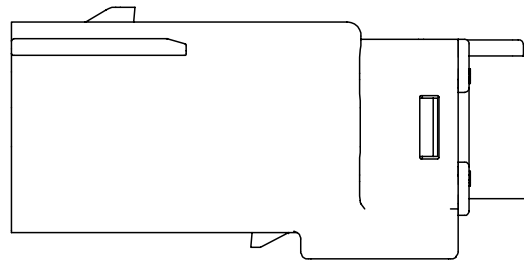
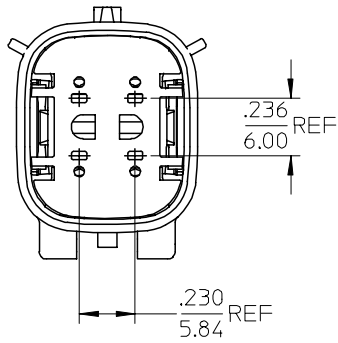
[19419Series](#)

**Mates With**

[19418 Receptacle Assemblies](#)

**Use With**

[19417 Male Crimp Terminals](#)



ASSEMBLED VIEW  
SCALE 1:1

- NOTES:
1. ASSEMBLY BULK PACKAGED PER PK-19419-001.
  2. MOUNTING SLOT DIMENSIONS.
  3. USE CONNECTOR WITH MALE CRIMP TERMINAL: SERIES 19417.

(B1) 194190030	4	24
194190004	4	16-14
194190005	4	22-18
MATERIAL NUMBER	CIRCUIT SIZE	UL WIRE AWG

ADD MAT'L #194190030 EC NO: ETC2006-0082 DRWNG:MYRICK 2005/12/02 CHKD: 2005/12/06 APPR:RDEROSS 2005/12/06	QUALITY SYMBOLS	GENERAL TOLERANCES (UNLESS SPECIFIED)	DIMENSION STYLE IN/MM	SCALE 2:1	DESIGN UNITS INCH	THIRD ANGLE PROJECTION																											
	▽=0 ▽=0	<table border="1"> <tr> <th></th> <th>mm</th> <th>INCH</th> </tr> <tr> <td>4 PLACES</td> <td>± .005</td> <td>± .0005</td> </tr> <tr> <td>3 PLACES</td> <td>± .013</td> <td>± .001</td> </tr> <tr> <td>2 PLACES</td> <td>± 0.25</td> <td>± .010</td> </tr> <tr> <td>1 PLACE</td> <td>± 0.50</td> <td>± .020</td> </tr> </table>		mm	INCH	4 PLACES	± .005	± .0005	3 PLACES	± .013	± .001	2 PLACES	± 0.25	± .010	1 PLACE	± 0.50	± .020	<table border="1"> <tr> <td>DRAWN BY</td> <td>DATE</td> </tr> <tr> <td>B. RUPERT</td> <td>11/07/02</td> </tr> <tr> <td>CHECKED BY</td> <td>DATE</td> </tr> <tr> <td>J. PAWLIC</td> <td>11/08/02</td> </tr> <tr> <td>APPROVED BY</td> <td>DATE</td> </tr> <tr> <td>R. DEROSS</td> <td>11/08/02</td> </tr> </table>	DRAWN BY	DATE	B. RUPERT	11/07/02	CHECKED BY	DATE	J. PAWLIC	11/08/02	APPROVED BY	DATE	R. DEROSS	11/08/02	TITLE	4 WAY PLUG ASSEMBLY	
		mm	INCH																														
	4 PLACES	± .005	± .0005																														
3 PLACES	± .013	± .001																															
2 PLACES	± 0.25	± .010																															
1 PLACE	± 0.50	± .020																															
DRAWN BY	DATE																																
B. RUPERT	11/07/02																																
CHECKED BY	DATE																																
J. PAWLIC	11/08/02																																
APPROVED BY	DATE																																
R. DEROSS	11/08/02																																
REV B1	DESCRIPTION	DRAFT WHERE APPLICABLE MUST REMAIN WITHIN DIMENSIONS	MATERIAL NO. SEE CHART	DOCUMENT NO. SD-19419-001	SHEET NO. 1 OF 1																												