

PLEASE CHECK WWW.MOLEX.COM FOR LATEST PART INFORMATION

Part Number: [0190370002](#)
Status: **Active**
Description: Krimptite™ Snap Plug Receptacle, for 18-22 AWG Wire, Box, 16.26mm (.640") Length

Documents:

[Drawing \(PDF\)](#) [RoHS Certificate of Compliance \(PDF\)](#)

Agency Certification

CSA LR18689
 UL E152602

General

Product Family Quick Disconnects
 Series [19037](#)
 Crimp Quality Equipment Yes
 Product Name Krimptite™
 Type Snap Receptacle

Physical

Barrel Type Closed
 Gender Female
 Glow-Wire Compliant No
 Insulation None
 Lock to Mating Part None
 Material - Metal Brass
 Orientation Straight
 Packaging Type Bag
 Tab Thickness N/A
 Tab Width N/A
 Wire Insulation Diameter N/A
 Wire Size AWG 18, 20, 22
 Wire Size mm² 0.35 - 0.80

Electrical

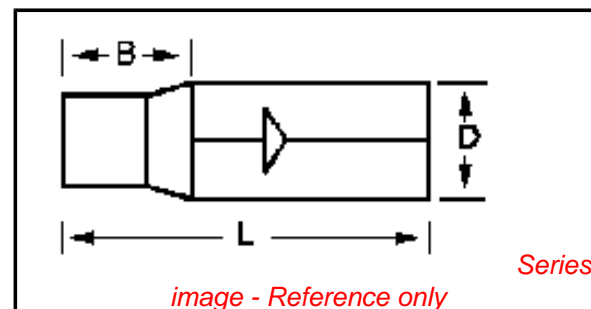
Voltage - Maximum N/A

Material Info

Old Part Number AA-1121

Reference - Drawing Numbers

Sales Drawing SD-19037-002



EU RoHS

**ELV and RoHS
Compliant**

REACH SVHC

Contains SVHC: No

Halogen-Free

Status

Halogen-Free

China RoHS



**Need more information on product
environmental compliance?**

Email productcompliance@molex.com
 For a multiple part number RoHS Certificate of
 Compliance, [click here](#)

Please visit the [Contact Us](#) section for any
 non-product compliance questions.

Search Parts in this Series

[19037Series](#)

Application Tooling | FAQ

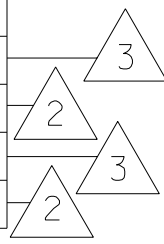
*Tooling specifications and manuals are
found by selecting the products below.*

*Crimp Height Specifications are then
contained in the Application Tooling
Specification document.*

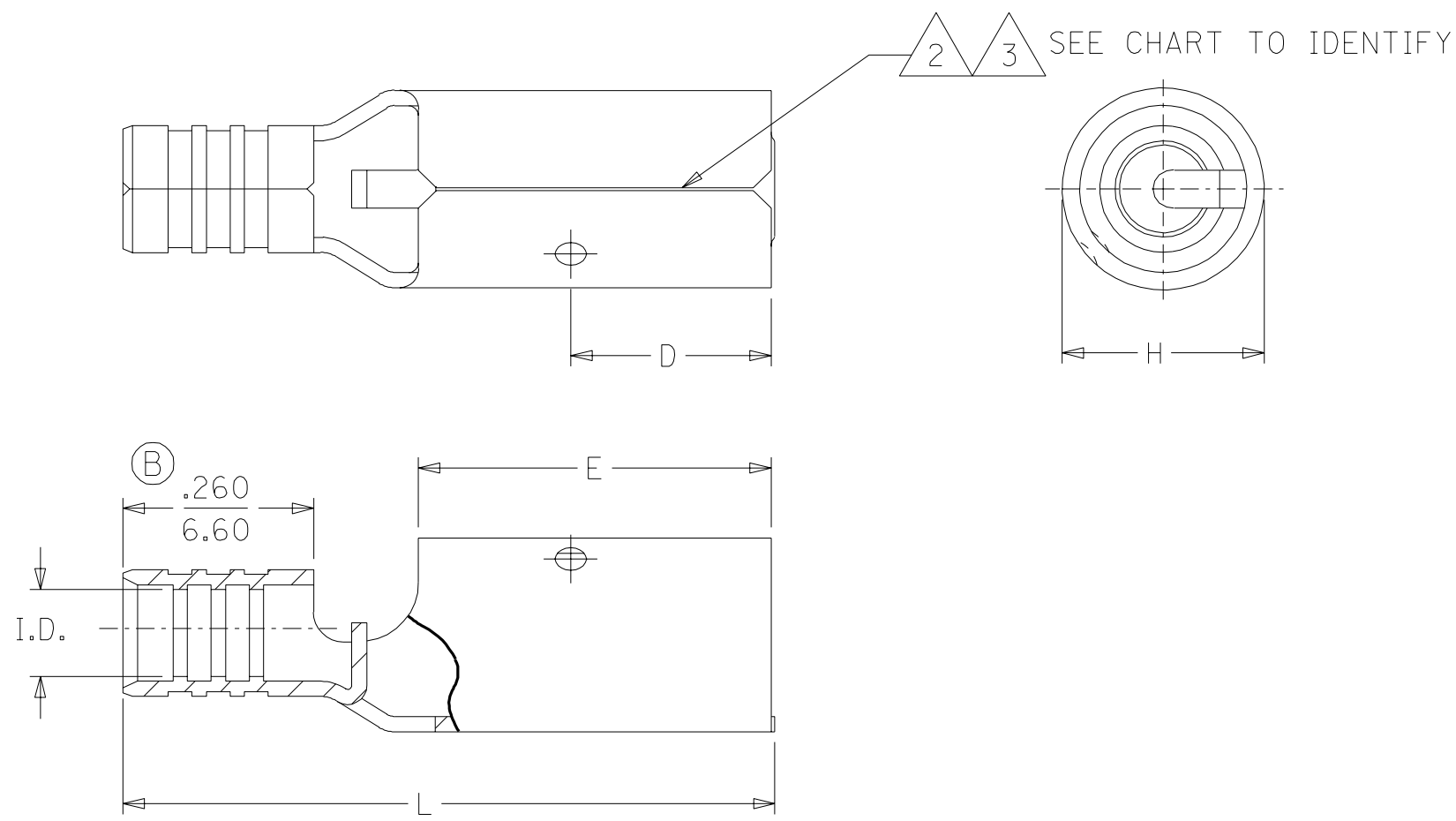
Global

Description	Product #
Hand Crimp Tool	0640031100
Crimp Head for the AT-200™ Pneumatic Hand Tool	0640071100

MATERIAL NUMBER	ENGINEERING NUMBER	WIRE RANGE AWC	MM ²	FITS MALE PLUG DIA.	"L" MAX.	I.D. MIN.	"D" ±.01	H ±.01	"E" NOM.
190370002	AA-1121	22-18	0.25-1.3	.156/(3.96)	.63/(16.0)	.066/(1.68)	.125/(3.18)	.19/(4.8)	.31/(7.88)
190370015	AA-1120	22-18	0.25-1.3	.180/(4.57)	.69/(17.53)	.066/(1.68)	.210/(5.33)	.21/(5.3)	.37/(9.40)
190370004	BB-1122	16-14	1.0-2.6	.156/(3.96)	.63/(16.0)	.089/(2.26)	.125/(3.18)	.19/(4.8)	.31/(7.88)
190370006	BB-1123	16-14	1.0-2.6	.180/(4.57)	.69/(17.53)	.089/(2.26)	.210/(5.33)	.21/(5.3)	.37/(9.40)



(B)



NOTES;
 (B) 1. MATERIAL: .016/0.41 BRASS
 FINISH: ELECTRO-TIN PLATING
 2 SEAM IS FULLY CLOSED.
 3. SEAM HAS A .010 GAP NOMINAL.

DEL TAPE NO'S	EC NO. ETC2003-0201	DRWN: BRE 03/05/08	CH'K: HEB 03/05/08	APPR: RWD 03/05/08
B	REV	DESCRIPTION	QUALITY SYMBOLS	MAJOR = 0
			CRITICAL = 0	

GENERAL TOLERANCES: (UNLESS SPECIFIED)		SCALE NO: NE	DESIGN UNITS
4 PLACES	±0. ±.	BRE	mm <input type="checkbox"/> INCH <input checked="" type="checkbox"/>
3 PLACES	±0. ±.01	CHECKED BY & DATE	
2 PLACES	±0.3 ±.01	HEB	02/08/12
1 PLACE	±0. ±.	APPROVED BY & DATE	
ANGULAR: ±1/2°		RWD	02/08/
DRAFT WHERE APPLICABLE MUST REMAIN WITHIN DIMENSIONS		CAD FILENAME	SD-19037-002 .DGN

THIRD ANGLE PROJECTION	TITLE: KRIMPTITE FEMALE BULLET RECEPTACLE
MOLEX INCORPORATED	MATERIAL NO. SEE CHART
THIS DRAWING CONTAINS INFORMATION THAT IS PROPRIETARY TO MOLEX INCORPORATED AND SHOULD NOT BE USED WITHOUT WRITTEN PERMISSION.	DRAWING NO. SD-19037-002

DIMENSIONS: mm <input type="checkbox"/> INCH <input checked="" type="checkbox"/> mm ONLY	SHT	REV
		REVISE ON CAD ONLY
SHEET NO. 1 OF 1		SIZE B