

PLEASE CHECK WWW.MOLEX.COM FOR LATEST PART INFORMATION

Part Number: **0039000139**
Status: **Active**
Overview: [minifit_jr](#)
Description: 4.20mm (.165") Pitch Mini-Fit™ Crimp Terminal, Female, with Selective Gold (Au) and Selective Tin (Sn) over Nickel (Ni), 22-28 AWG, Reel

Documents:

[Drawing \(PDF\)](#) [Product Specification PS-5556-003 \(PDF\)](#)
[Product Specification PS-5556-001 \(PDF\)](#) [RoHS Certificate of Compliance \(PDF\)](#)
[Product Specification PS-5556-002 \(PDF\)](#)

General

Product Family Crimp Terminals
 Series 5556
 Crimp Quality Equipment Yes
 Overview [minifit_jr](#)
 Product Name Mini-Fit®

Physical

Durability (mating cycles max) 30
 Gender Female
 Material - Metal Brass
 Material - Plating Mating Gold
 Material - Plating Termination Tin
 Packaging Type Reel
 Termination Interface: Style Crimp or Compression
 Wire Insulation Diameter 0.90-1.80mm (.035-.071")
 Wire Size AWG 22, 24, 26, 28
 Wire Size mm² N/A

Electrical

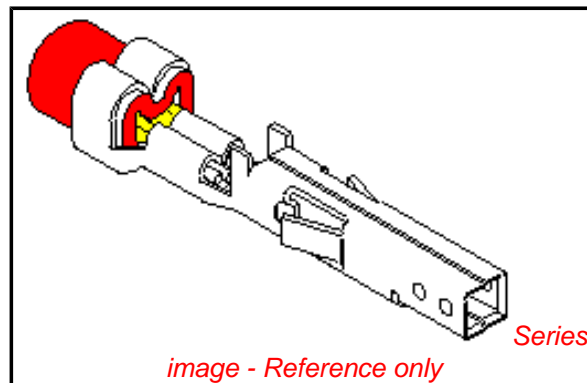
Current - Maximum per Contact 9A
 Voltage - Maximum 600V

Material Info

Old Part Number 5556GS8

Reference - Drawing Numbers

Product Specification PS-5556-001, PS-5556-002, PS-5556-003
 Sales Drawing SD-5556-006
 Test Summary TS-5556-002



EU RoHS

**ELV and RoHS
 Compliant**
**REACH SVHC
 Contains SVHC: No**
**Halogen-Free
 Status**

China RoHS



**Need more information on product
 environmental compliance?**

Email productcompliance@molex.com
 For a multiple part number RoHS Certificate of Compliance, [click here](#)

Please visit the [Contact Us](#) section for any non-product compliance questions.

Search Parts in this Series

5556Series

Mates With

5558 Male Crimp Terminals. 5559 Plug Housing. Mini-Fit Jr.™ Header, Dual Row, 5566 , 5569

Use With

5557 Mini-Fit Jr.™ Receptacle Housing

Application Tooling | FAQ

Tooling specifications and manuals are found by selecting the products below. Crimp Height Specifications are then contained in the Application Tooling Specification document.

Global

Description	Product #
FineAdjust™ Applicator	0639002700
T2 Terminator Tooling Die	0639102700

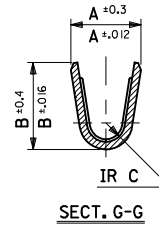
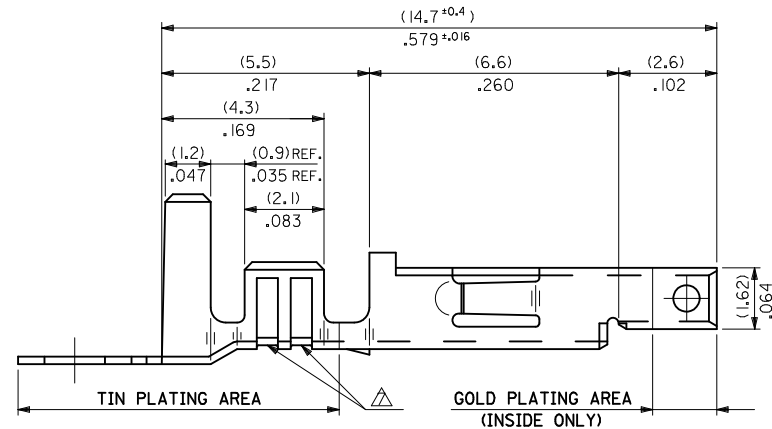
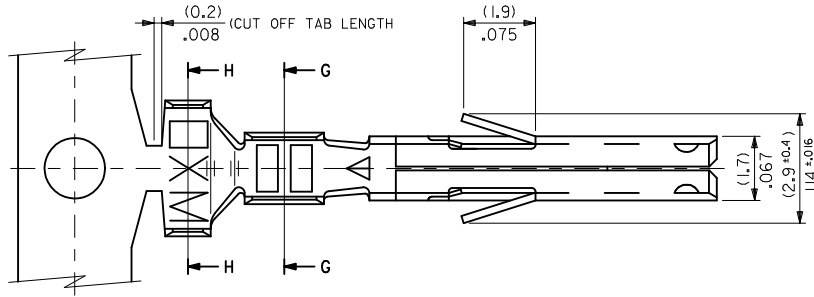
FineAdjust for Mini- Fit Jr.™ Crimp Terminals	<u>0639020200</u>
T2 Terminator for Mini-Fit Jr.™ Crimp Terminals	<u>0639120200</u>

This document was generated on 06/08/2010

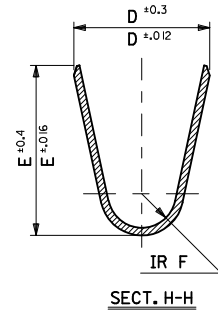
PLEASE CHECK WWW.MOLEX.COM FOR LATEST PART INFORMATION

NOTES

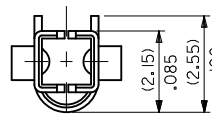
1. MATERIAL: SEE CHART.
2. FINISH: SEE CHART.
3. PRODUCT SPECIFICATION: PS-5556-001, PS-5556-002, PS-5556-003.
4. PACKAGING SPECIFICATION: PK-5556-001 FOR CHAIN TERMINALS
PK-5556-003 FOR LOOSE TERMINALS.
5. MATES WITH: 5558, 5566, 5569, 30069, 30070, 42440, 42404, 43879, 43810, 44068.
6. APPLICABLE HOUSING: 5557, 30067, 44516, OR 42474.
7. THE NUMBER OF SERRATIONS TO BE ONE FOR WIRE RANGE #22-28.
8. WHEN TERMINALS ARE INSTALLED IN THE HOUSING THE WIRES ARE TO BE DRESSED IN SUCH A MANNER TO ALLOW THE TERMINALS TO FLOAT FREELY IN THE POCKET.
9. THIS TERMINAL IS DESIGNED FOR SINGLE WIRE CRIMPING.
10. PART CONFORMS TO CLASS 'B' REQUIREMENTS OF COSMETIC SPECIFICATION PS-45499-002.



SECT. G-G



SECT. H-H



REMOVE 440 & 441. EC NO: UCP2010-2205 DRWN: JAGUILAR 2010/03/01 CHKD: J BELL 2010/03/01 APPR: FSMITH 2010/04/09	QUALITY SYMBOLS	GENERAL TOLERANCES (UNLESS SPECIFIED)		DIMENSION STYLE	SCALE	DESIGN UNITS	THIRD ANGLE PROJECTION
	▽=0	mm	INCH	MM/IN	10:1	METRIC	
	▽=0	4 PLACES ± .008	3 PLACES ± .008	DRAWN BY	DATE	TITLE	
	▽=0	2 PLACES ± 0.2	1 PLACE ± 0.2	HHIRAMOT	'91/05/18	MINI FIT JR SELECT GOLD FEMALE CRIMP TERMINAL -LEAD FREE-	
REV	DESCRIPTION	ANGULAR ± 3 °		CHECKED BY	DATE	MOLEX INCORPORATED	
G1		DRAFT WHERE APPLICABLE MUST REMAIN WITHIN DIMENSIONS		APPROVED BY	DATE	SD-5556-006	
				FSMITH	2010/04/09	1 OF 2	
				MATERIAL NO.	DOCUMENT NO.	SHEET NO.	
				SEE CHART		1 OF 2	
				SIZE	THIS DRAWING CONTAINS INFORMATION THAT IS PROPRIETARY TO MOLEX INCORPORATED AND SHOULD NOT BE USED WITHOUT WRITTEN PERMISSION		

10 9 8 7 6 5 4 3 2 1

PHOSPHOR BRONZE	SELECTIVE GOLD (0.76µm)/30m.i. MIN. AND SELECTIVE TIN (2.54µm)/100m.i. MIN. OVER NICKEL (1.27µm)/50m.i. MIN.	(0.9) .035	(4.5) .177	(3.6) .142	(0.6) .024	(2.7) .106	(2.3) .091	∅ (3.1) .122 MAX.	# 16	39-00-0158 ↑ -0157	5556 PBGS3L ↑ PBGS3	LOOSE CHAIN	
		(0.6) .024	(2.3) .091	(2.3) .091	(0.4) .016	(1.65) .065	(1.8) .071	∅ (0.9-1.8) .035-.071	#22-28	-0156 -0155	PBGS2L PBGS2	LOOSE CHAIN	
		(0.9) .035	(4.5) .177	(3.6) .142	(0.5) .020	(2.3) .091	(1.9) .075	∅ (1.3-3.1) .051-.122	# 18-24	-0154 -0153	PBGS PBGS	LOOSE CHAIN	
BRASS	SELECTIVE GOLD (1.27µm)/50m.i. MIN. AND SELECTIVE TIN (2.54 µm)/ 100 m.i. MIN. OVER NICKEL (1.27µm)/50m.i. MIN. Ⓞ	(0.9) .035	(4.5) .177	(3.6) .142	(0.6) .024	(2.7) .106	(2.3) .091	∅ (3.1) .122 MAX.	# 16	-0142 -0141	GS9L GS9	LOOSE CHAIN	
		(0.6) .024	(2.3) .091	(2.3) .091	(0.4) .016	(1.65) .065	(1.8) .071	∅ (0.9-1.8) .035-.071	#22-28	↓ -0140	GS8L GS8	LOOSE CHAIN	
		(0.9) .035	(4.5) .177	(3.6) .142	(0.5) .020	(2.3) .091	(1.9) .075	∅ (1.3-3.1) .051-.122	# 18-24	40-13-0852 40-13-0851	GS7L GS7	LOOSE CHAIN	
		(0.9) .035	(4.5) .177	(3.6) .142	(0.6) .024	(2.7) .106	(2.3) .091	∅ (3.1) .122 MAX.	# 16	39-00-0094 ↑ -0093	GS6L GS6	LOOSE CHAIN	
		(0.6) .024	(2.3) .091	(2.3) .091	(0.4) .016	(1.65) .065	(1.8) .071	∅ (0.9-1.8) .035-.071	#22-28	-0092 -0091	GS5L GS5	LOOSE CHAIN	
		(0.9) .035	(4.5) .177	(3.6) .142	(0.5) .020	(2.3) .091	(1.9) .075	∅ (1.3-3.1) .051-.122	# 18-24	-0074 -0073	GS4L GS4	LOOSE CHAIN	
	SELECTIVE GOLD (0.76µm)/30m.i. MIN. AND SELECTIVE TIN (2.54µm)/100m.i. MIN. OVER NICKEL (1.27µm)/50m.i. MIN.	(0.9) .035	(4.5) .177	(3.6) .142	(0.6) .024	(2.7) .106	(2.3) .091	∅ (3.1) .122 MAX.	# 16	-0090 -0089	GS3L GS3	LOOSE CHAIN	
		(0.6) .024	(2.3) .091	(2.3) .091	(0.4) .016	(1.65) .065	(1.8) .071	∅ (0.9-1.8) .035-.071	#22-28	-0435 -0434	GS2L7F GS27F	LOOSE CHAIN	
		(0.9) .035	(4.5) .177	(3.6) .142	(0.5) .020	(2.3) .091	(1.9) .075	∅ (1.3-3.1) .051-.122	# 18-24	↓ -0429	GSL7F	LOOSE	
		39-00-0428		5556 GS7F		CHAIN							
		MATERIAL FINISH F E D C B A INS. RANGE WIRE RANGE EDP NO. ENG. NO. FORM											

SEE SHEET 1 EC NO: UCP2010-2205 DRAWN: J JAGUILAR 2010/03/01 CHKD: JBELL 2010/03/01 APPR: FSMITH 2010/04/09 G1	QUALITY SYMBOLS ∇7=0 ∇6=0 ∇5=0	GENERAL TOLERANCES (UNLESS SPECIFIED)		DIMENSION STYLE		SCALE	DESIGN UNITS	THIRD ANGLE PROJECTION	
				MM/IN		10:1	METRIC		
		4 PLACES ± --- ± --- 3 PLACES ± --- ± .008 2 PLACES ± 0.2 ± .008 1 PLACE ± 0.2 ± --- ANGULAR ± 3°		DRAWN BY DATE HIRAMOT '91/05/18 CHECKED BY DATE MFUKUSHI '98/11/09 APPROVED BY DATE FSMITH 2010/04/09		TITLE MINI FIT JR SELECT GOLD FEMALE CRIMP TERMINAL -LEAD FREE- MOLEX MOLEX INCORPORATED DOCUMENT NO. SD-5556-006 SHEET NO. 2 OF 2			
		DRAFT WHERE APPLICABLE MUST REMAIN WITHIN DIMENSIONS		SEE CHART THIS DRAWING CONTAINS INFORMATION THAT IS PROPRIETARY TO MOLEX INCORPORATED AND SHOULD NOT BE USED WITHOUT WRITTEN PERMISSION					

9 8 7 6 5 4 3 2 1