

**PLEASE CHECK WWW.MOLEX.COM FOR LATEST PART INFORMATION**

**Part Number:** [5018643092](#)  
**Status:** **Active**  
**Overview:** [ffc\\_fpc\\_smt](#)  
**Description:** 0.50mm (.020") Pitch FFC-to-Board Connector, Receptacle Housing Assy, Right Angle, SMT, without Grounding terminals, 30 Circuits

**Documents:**

[3D Model](#) [Product Specification PS-501864-004 \(PDF\)](#)  
[Drawing \(PDF\)](#) [RoHS Certificate of Compliance \(PDF\)](#)

**General**

Product Family FFC/FPC Connectors  
 Series [501864](#)  
 Comments without Grounding terminals  
 Overview [ffc\\_fpc\\_smt](#)  
 Product Name N/A

**Physical**

Circuits (Loaded) 30  
 Color - Resin Black  
 Contact Position Bottom  
 Durability (mating cycles max) 20  
 Entry Angle 90° Angle  
 Mated Height (in) 0.191 In  
 Mated Height (mm) 4.85 mm  
 Material - Metal Copper Alloy  
 Material - Plating Mating Gold  
 Material - Plating Termination Gold  
 Number of Rows 1  
 Orientation Right Angle  
 PCB Locator Yes  
 PCB Retention Yes  
 Packaging Type Embossed Tape on Reel  
 Pitch - Mating Interface (in) 0.020 In  
 Pitch - Mating Interface (mm) 0.50 mm  
 Polarized to PCB Yes  
 Stackable No  
 Temperature Range - Operating -40°C to +85°C  
 Termination Interface: Style Surface Mount  
 Wire/Cable Type FFC only

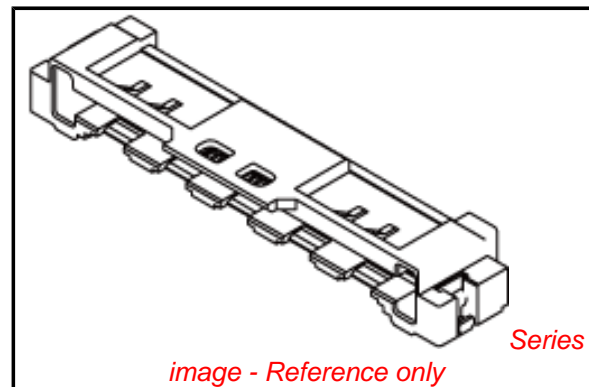
**Electrical**

Current - Maximum per Contact 0.5A  
 Voltage - Maximum 50V AC (RMS)/DC

**Material Info**

**Reference - Drawing Numbers**

Packaging Specification SPK-501864-001  
 Product Specification PS-501864-004, RPS-501864-001  
 Sales Drawing SD-501864-012, SD-501864-013



**EU RoHS**

**ELV and RoHS  
 Compliant**  
**REACH SVHC  
 Contains SVHC: No**  
**Halogen-Free  
 Status  
 Not Reviewed**

**China RoHS**



**Need more information on product  
 environmental compliance?**

Email [productcompliance@molex.com](mailto:productcompliance@molex.com)  
 For a multiple part number RoHS Certificate of Compliance, [click here](#)

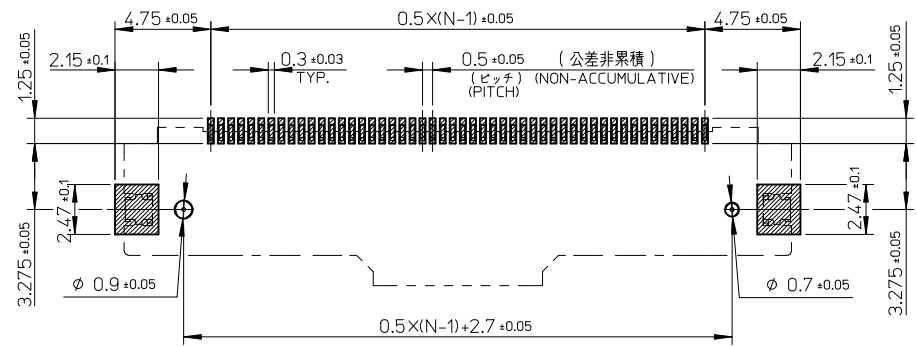
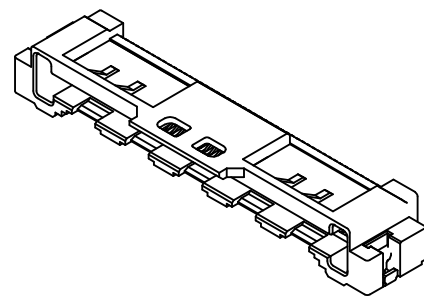
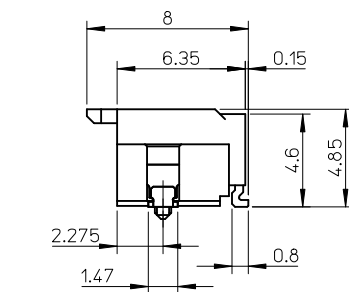
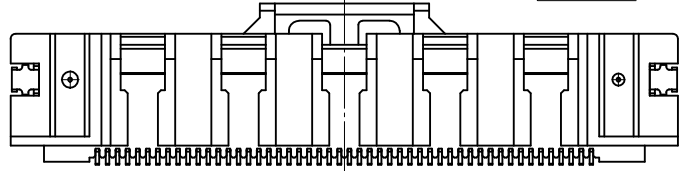
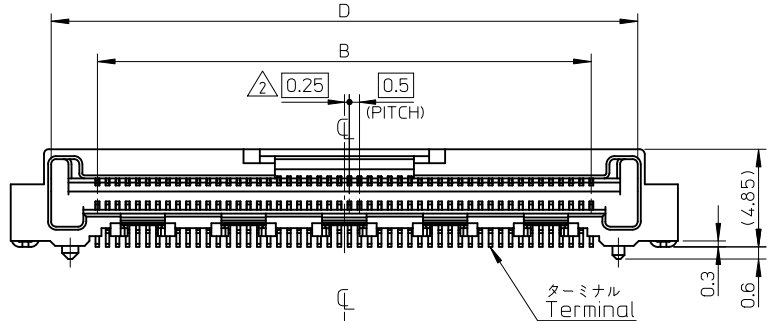
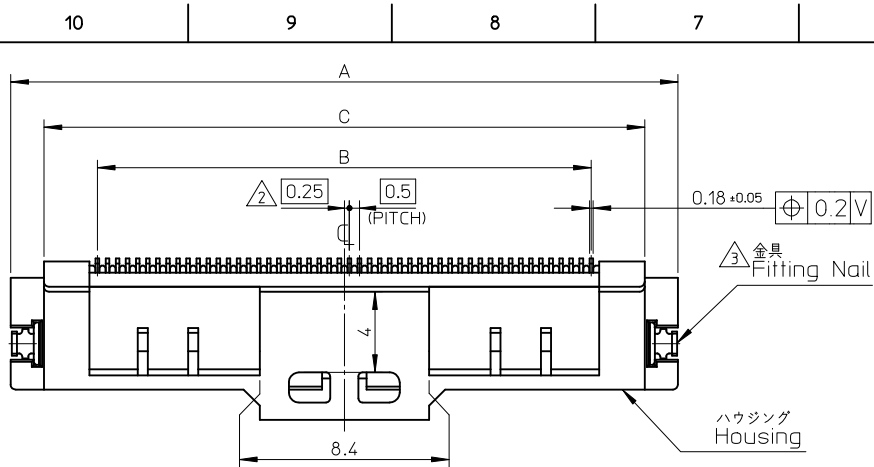
Please visit the [Contact Us](#) section for any non-product compliance questions.

**Search Parts in this Series**

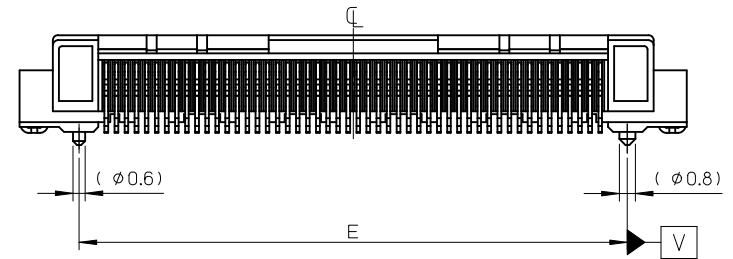
[501864Series](#)

**Use With**

[501783-3009 Plug Jacket](#) . [501784-3009 Plug Jacket Cover](#)



参考基板レイアウト  
P.C. BOARD PATTERN  
DIMENSION(REF.)  
(マウント面)  
(MOUNTING SIDE)



注記 1. 使用材料  
NOTE MATERIAL

ハウジング  
HOUSING

: 液晶ポリマー (LCP), ガラス充填,  
UL94V-0 色: 黒色  
LIQUID CRYSTAL POLYMER(LCP),  
GLASS FILLED,UL94V-0 COLOR:BLACK

ターミナル  
TERMINAL

: 銅合金 (t=0.18)  
ニッケル下地 金メッキ (コンタクト、テール部)  
COPPER ALLOY(t=0.18)  
GOLD PLATING(CONTACT, TAIL AREA) OVER NICKEL PLATING.

金具  
FITTING NAIL

: 銅合金 (t=0.25)  
ニッケル下地 錫メッキ  
COPPER ALLOY(t=0.25)  
TIN OVER NICKEL PLATING.

△ N=偶数に通用 (N:極数)  
APPLY FOR N-EVEN(CIRCUIT)

△ 3 パターン剥離止め用金具  
FITTING NAIL FOR PREVENTION OF PEELING OF P.C.B PATTERN.

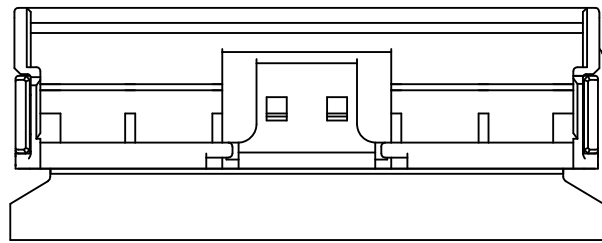
△ 適合ジャケット: 501783-\*\*09  
製品詳細寸法はSD-501783-001を参照下さい。  
APPLICABLE JACKET:501783-\*\*09.RE DETAILED DIMENSION,SEE SD-501783-001.

△ 5 適合ジャケットカバー: 501784-\*\*09  
製品詳細寸法はSD-501784-001を参照下さい。  
APPLICABLE JACKET:501784-\*\*09.RE DETAILED DIMENSION,SEE SD-501784-001.

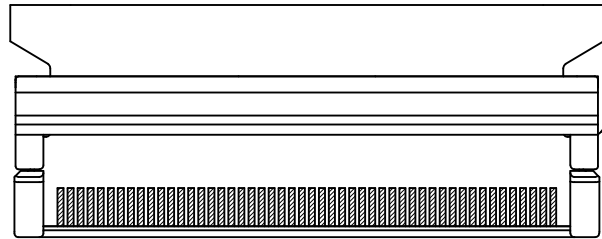
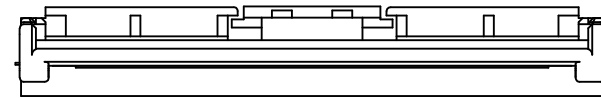
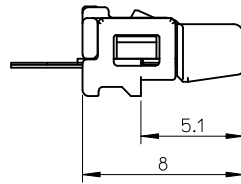
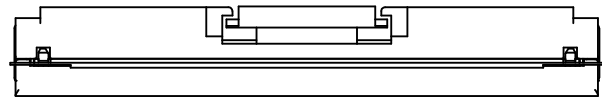
6. ELV及びRoHS適合品  
ELV AND RoHS COMPLIANT

42.2	44.1	44.8	39.5	48.1	501864-8090	80	
27.2	29.1	29.8	24.5	33.1	501864-5090	50	
E	D	C	B	A	EMBOSSED PACKAGE	極数	
CONNECTION SERIES NO. 501864-**11						オーダー番号 ORDER NO.	CIRCUITS

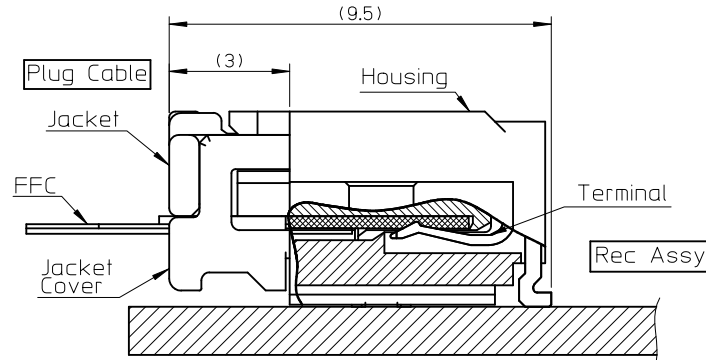
REVISED EC NO: J2010-1937 DRWN: YMORI CHKD: MATSUURA APPR: KIMORI KAWA	DESCRIPTION 2010/03/25 2010/03/25 2010/05/10	GENERAL TOLERANCES (UNLESS SPECIFIED)		DIMENSION STYLE MM ONLY		SCALE 1/1	DESIGN UNITS METRIC		THIRD ANGLE PROJECTION			
		10 UNDER	± 0.2	DRAWN BY H. IJIMA	DATE 06/01/13	TITLE 0.5 FFC TO BOARD CONN REC. HSG ASSY(RA)		MATERIAL NO. 501864-**11		DOCUMENT NO. SD-501864-001	SHEET NO. 1 OF 2	
		10 OVER 30 UNDER	± 0.25	CHECKED BY K. TAKAHASHI	DATE 06/01/13	APPROVED BY H. HIRATA		DATE 06/01/13	MATERIAL NO. 501864-**11		DOCUMENT NO. SD-501864-001	SHEET NO. 1 OF 2
		30 OVER	± 0.3	DRAFT WHERE APPLICABLE MUST REMAIN WITHIN DIMENSIONS		SIZE A3		THIS DRAWING CONTAINS INFORMATION THAT IS PROPRIETARY TO MOLEX INCORPORATED AND SHOULD NOT BE USED WITHOUT WRITTEN PERMISSION				



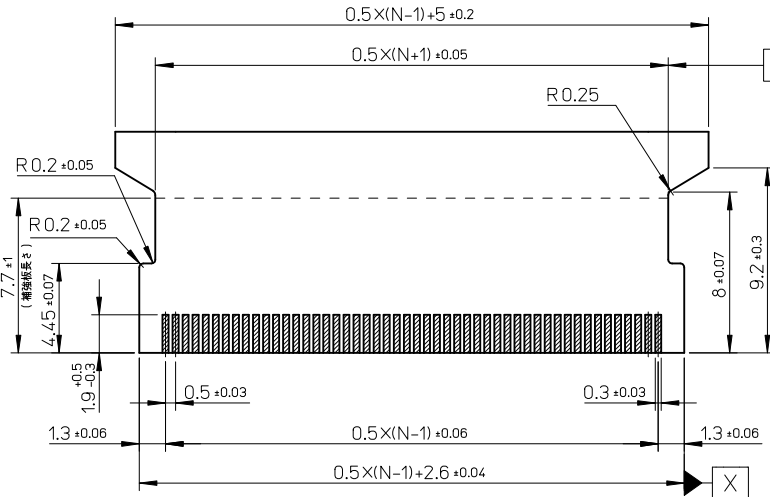
△ ジャケット  
4 JACKET



△ ジャケットカバー  
5 JACKET COVER



嵌合断面図



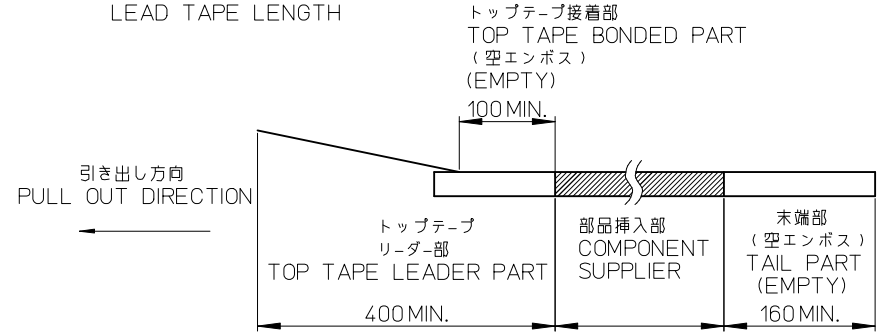
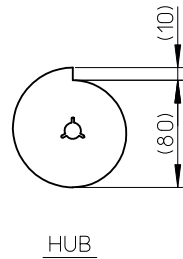
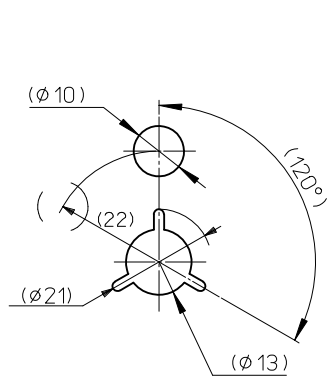
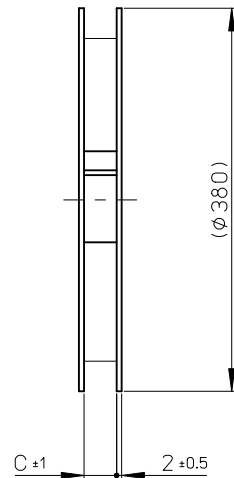
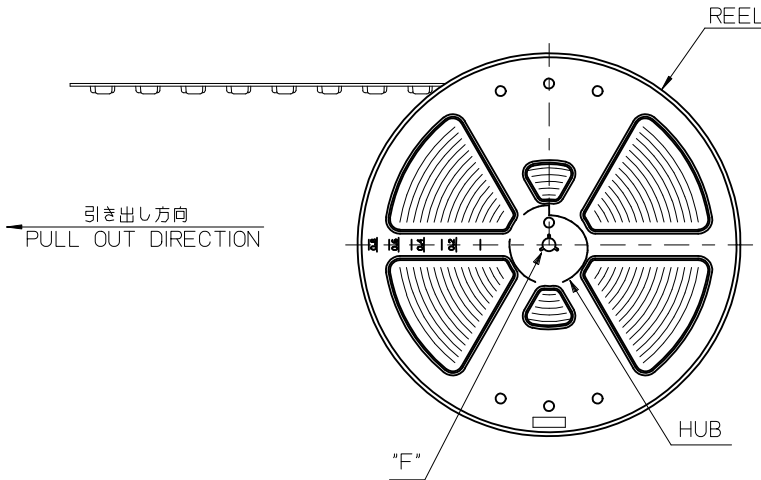
コネクタ接点部

適合FFC寸法  
APPLICABLE FFC  
RECOMMENDED DIMENSION  
(仕上がり厚さ: 接点部 $0.3 \pm 0.03$ )

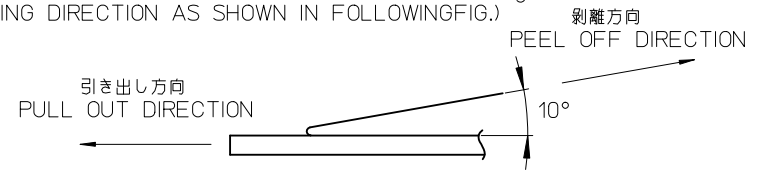
SEE SHEET 1 OF 2 EC NO: J2010-1937 DRAWN: YMORI CHKD: N. MATSUURA 2010/03/25 APPR: K. MORIKAWA 2010/05/10	GENERAL TOLERANCES (UNLESS SPECIFIED)		DIMENSION STYLE MM ONLY	SCALE //	DESIGN UNITS METRIC	THIRD ANGLE PROJECTION
	10 UNDER	$\pm 0.2$	DRAWN BY H. IJIMA	DATE 06/01/13	TITLE 0.5 FFC TO BOARD CONN REC. HSG ASSY(RA)	
	10 OVER 30 UNDER	$\pm 0.25$	CHECKED BY K. TAKAHASHI	DATE 06/01/13	MOLEX INCORPORATED	
	30 OVER	$\pm 0.3$	APPROVED BY H. HIRATA	DATE 06/01/13	MATERIAL NO. 501864-***11	DOCUMENT NO. SD-501864-001
ANGULAR	$\pm 1^\circ$	DRAFT WHERE APPLICABLE MUST REMAIN WITHIN DIMENSIONS		SIZE A3	THIS DRAWING CONTAINS INFORMATION THAT IS PROPRIETARY TO MOLEX INCORPORATED AND SHOULD NOT BE USED WITHOUT WRITTEN PERMISSION	
					SHEET NO. 2 OF 2	

**NOTES**

- 極包数量：900 個/リール  
NUMBER OF CONNECTORS:900 PCS/REEL
- リードテープ長さ  
LEAD TAPE LENGTH

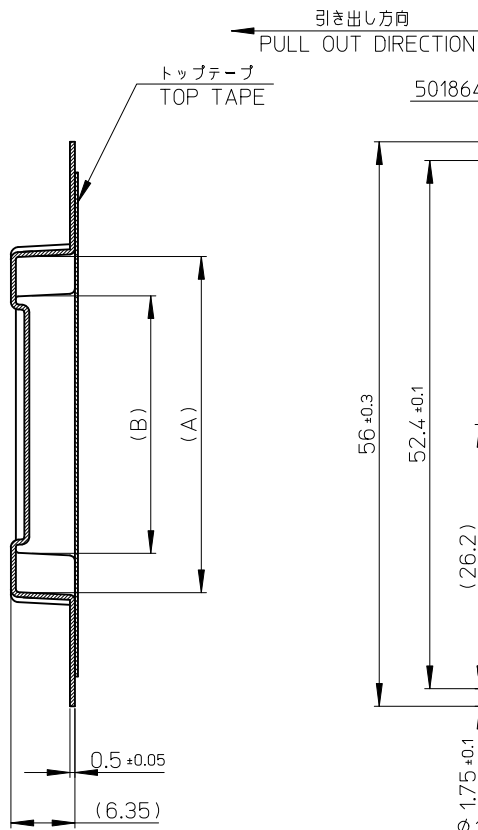


- トップテープの剥離強度：0.1~1.27N(10~130gf)  
(剥離方向は下図参照)  
剥離速度：300mm/MIN.(参考)  
PEEL-OFF FORCE OF TOP TAPE : 0.1~1.27N(10~130gf)  
(PEELING DIRECTION AS SHOWN IN FOLLOWINGFIG.)

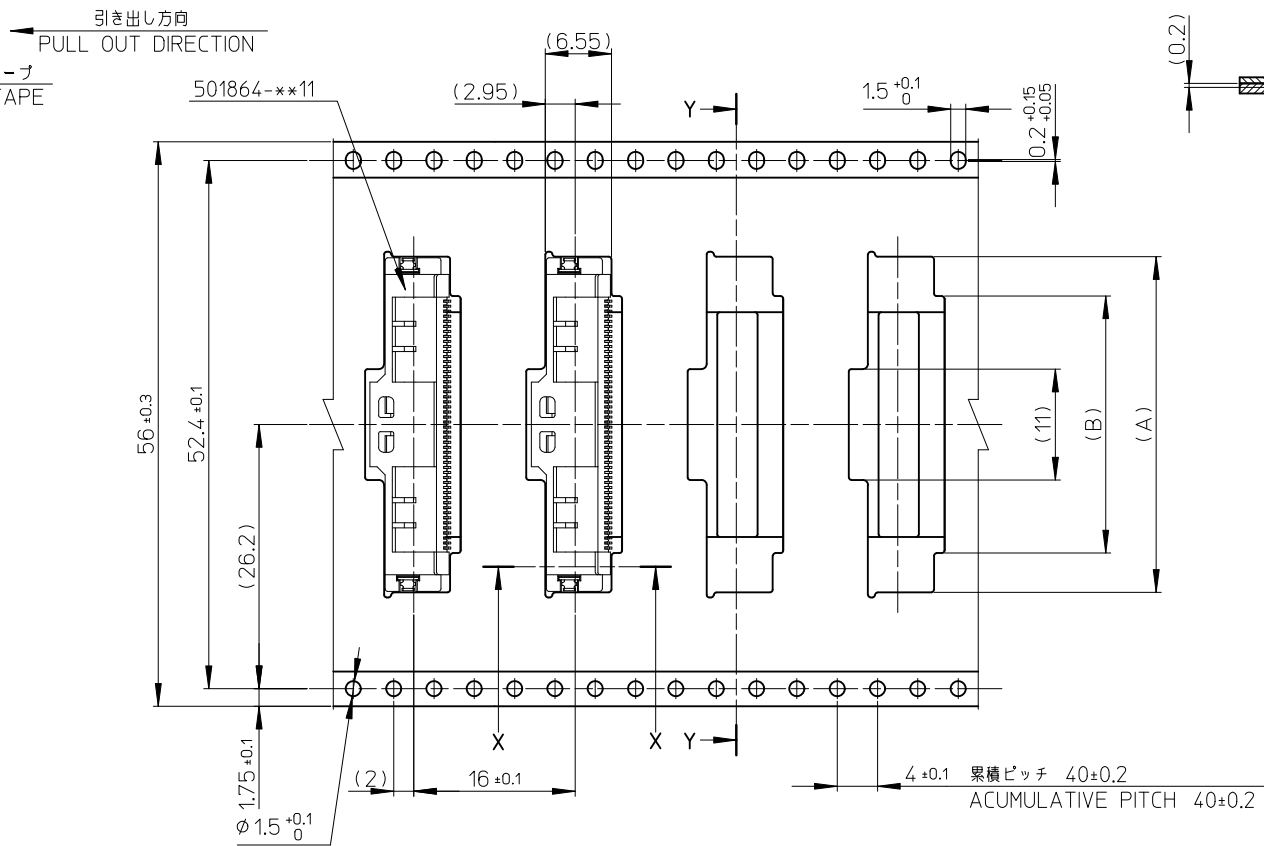


- 製品詳細寸法については図面 SD-501864-001を参照下さい。  
RE DETAILED DIMENSION, SEE SD-501864-001.
- 材料(MATERIAL)  
キャリアテープ(CARRIER TAPE)：ポリスチレン(POLYSTYRENE)  
トップテープ(TOP TAPE)：PET, PE, PE  
リール(REEL)：ポリスチレン(POLYSTYRENE)
- ELV及びRoHS適合品  
ELV AND RoHS COMPLIANT

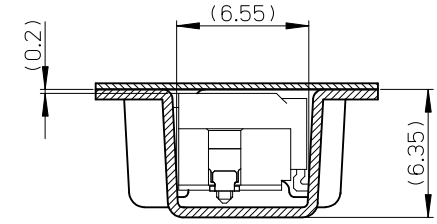
REVISED EC NO: J2010-1937 DRWN: YMORI 2010/03/25 CHKD: MATSUURA 2010/03/25 APPR: KMORIKAWA 2010/05/10	DESCRIPTION REV	GENERAL TOLERANCES (UNLESS SPECIFIED)		DIMENSION STYLE MM ONLY		SCALE ---	DESIGN UNITS METRIC	THIRD ANGLE PROJECTION		
		10 UNDER	±0.2	DRAWN BY H. IIJIMA	DATE 06/01/17	TITLE EMBSTP PKG FOR 0.5 FFC TO BOARD CONN RA TYPE				
		10 OVER 30 UNDER	±0.25	CHECKED BY K. TAKAHASHI	DATE 06/01/17	MOLEX INCORPORATED				
		30 OVER	±0.3	APPROVED BY H. HIRATA	DATE 06/01/17					
ANGULAR ±1 °		DRAFT WHERE APPLICABLE MUST REMAIN WITHIN DIMENSIONS		MATERIAL NO. 501864-***90		DOCUMENT NO. SD-501864-003		SHEET NO. 1 OF 2		



SECT. Y-Y



56mm幅キャリアテープ  
56mm WIDTH CARRIER TAPE



SECT. X-X

56	57.4	25.5	33.3	501864-5090	50
キャリアテープ幅 CARRIER TAPE WIDTH	C	B	A	オーダー番号 ORDER NO.	極数 CKT

SEE SHEET 1 OF 2 EC NO: J2010-1937 DRWN: YMORI 2010/03/25 CHKD: MATSUURA 2010/03/25 APPR: KMORIKAWA 2010/05/10	DESCRIPTION REV	GENERAL TOLERANCES (UNLESS SPECIFIED)		DIMENSION STYLE MM ONLY		SCALE ---	DESIGN UNITS METRIC	THIRD ANGLE PROJECTION	
		10 UNDER	± 0.2	DRAWN BY H. IJIMA	DATE 06/01/17	TITLE EMBSTP PKG FOR 0.5 FFC TO BOARD CONN RA TYPE			
		10 OVER 30 UNDER	± 0.25	CHECKED BY K. TAKAHASHI	DATE 06/01/17	MOLEX INCORPORATED			
		30 OVER	± 0.3	APPROVED BY H. HIRATA	DATE 06/01/17				
ANGULAR ± 1 °		DRAFT WHERE APPLICABLE MUST REMAIN WITHIN DIMENSIONS		MATERIAL NO. 501864-**90	DOCUMENT NO. SD-501864-003	SHEET NO. 2 OF 2			