

PLEASE CHECK WWW.MOLEX.COM FOR LATEST PART INFORMATION

Part Number: [5018643091](#)
Status: **Active**
Overview: [ffc_fpc_smt](#)
Description: 0.50mm (.020") Pitch FFC-to-Board Connector, Receptacle Housing Assy, Right Angle, SMT, with Grounding terminals, 30 Circuits

Documents:

[3D Model](#) [Product Specification PS-501864-004 \(PDF\)](#)
[Drawing \(PDF\)](#) [RoHS Certificate of Compliance \(PDF\)](#)

General

Product Family FFC/FPC Connectors
 Series [501864](#)
 Comments with Grounding terminals
 Overview [ffc_fpc_smt](#)
 Product Name N/A

Physical

Circuits (Loaded) 30
 Color - Resin Black
 Contact Position Bottom
 Durability (mating cycles max) 20
 Entry Angle 90° Angle
 Mated Height (in) 0.191 In
 Mated Height (mm) 4.85 mm
 Material - Metal Phosphor Bronze
 Material - Plating Mating Gold
 Material - Plating Termination Gold
 Number of Rows 1
 Orientation Right Angle
 PCB Locator Yes
 PCB Retention Yes
 Packaging Type Embossed Tape on Reel
 Pitch - Mating Interface (in) 0.020 In
 Pitch - Mating Interface (mm) 0.50 mm
 Polarized to PCB Yes
 Stackable No
 Temperature Range - Operating -40°C to +85°C
 Termination Interface: Style Surface Mount
 Wire/Cable Type FFC only

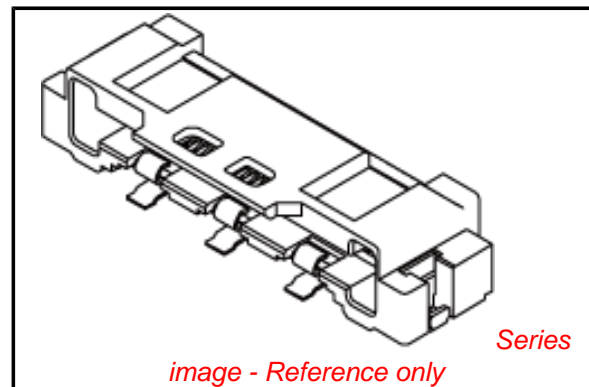
Electrical

Current - Maximum per Contact 0.5A
 Voltage - Maximum 50V AC (RMS)/DC

Material Info

Reference - Drawing Numbers

Packaging Specification SPK-501864-001
 Product Specification PS-501864-004, RPS-501864-001, RPS-501864-004
 Sales Drawing SD-501864-008, SD-501864-009



EU RoHS

**ELV and RoHS
Compliant**
REACH SVHC
 Not Reviewed
**Halogen-Free
Status**
Not Reviewed

China RoHS



**Need more information on product
environmental compliance?**

Email productcompliance@molex.com
 For a multiple part number RoHS Certificate of Compliance, [click here](#)

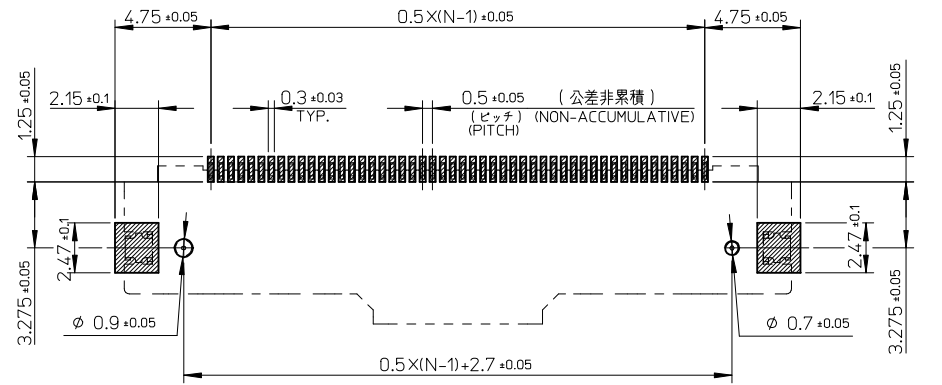
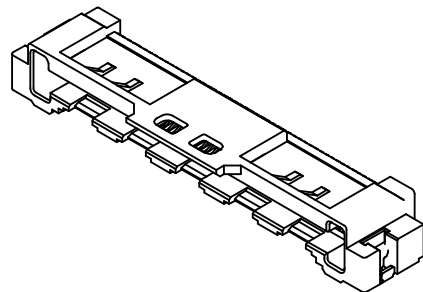
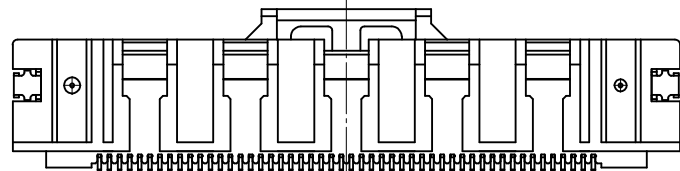
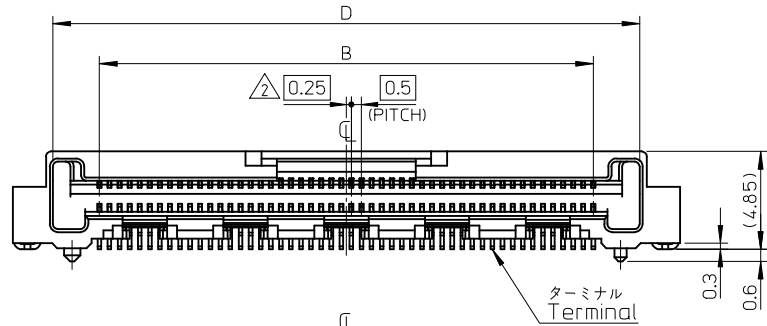
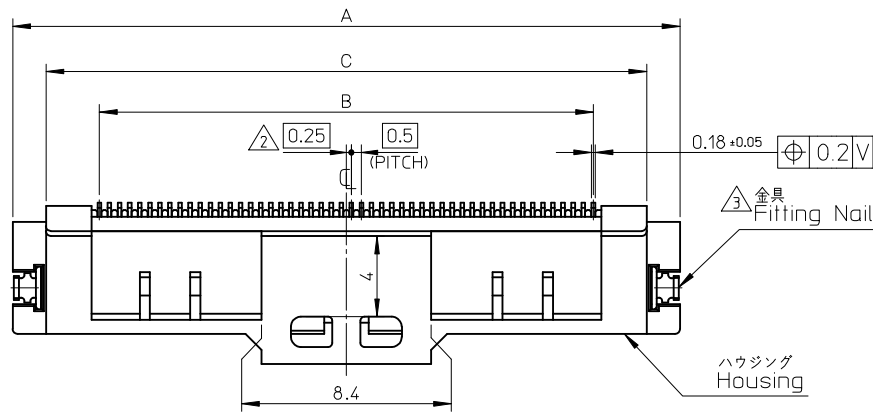
Please visit the [Contact Us](#) section for any non-product compliance questions.

Search Parts in this Series

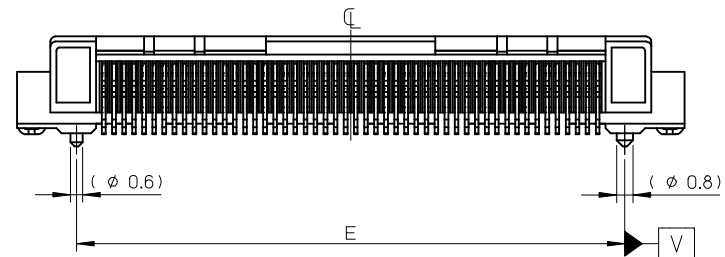
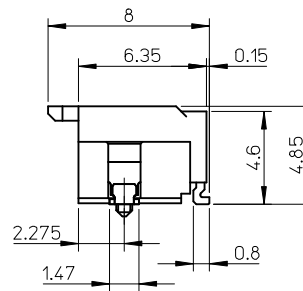
[501864Series](#)

Use With

[501783-3009 Plug Jacket](#) . [501784-3008 Plug Jacket Cover](#)



参考基板レイアウト
P.C BOARD PATTERN
DIMENSION (REF.)
(マウント面)
(MOUNTING SIDE)



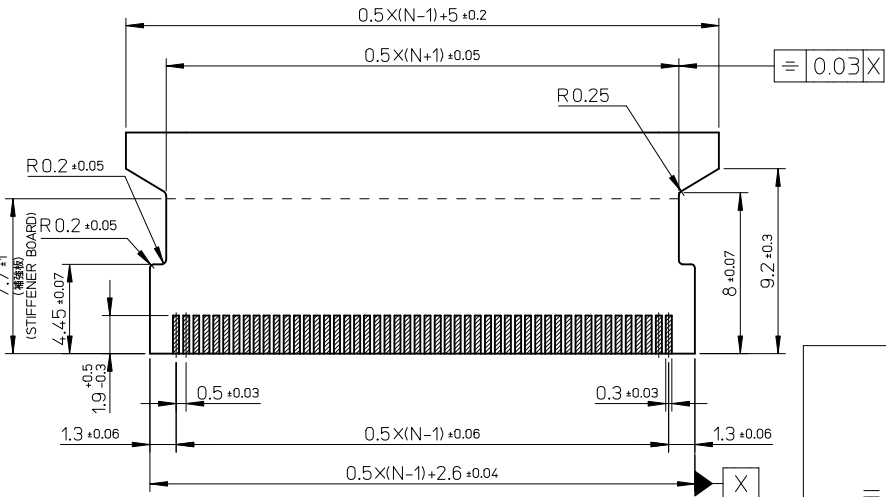
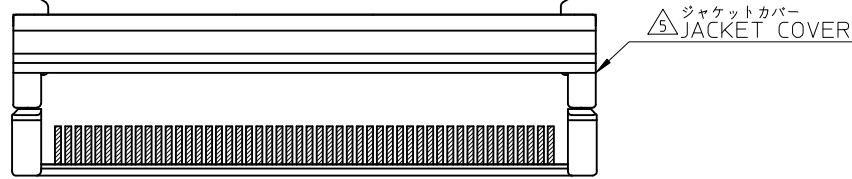
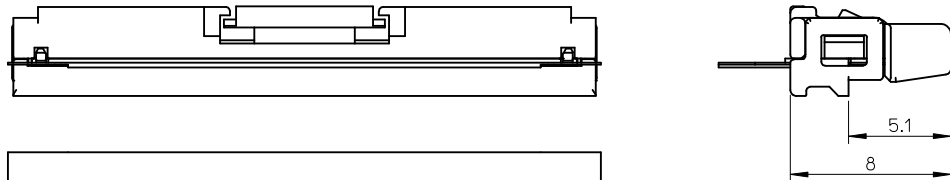
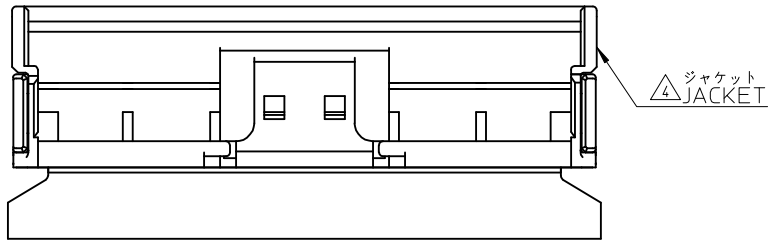
17.2	19.1	19.8	14.5	23.1	501864-3092	30
E	D	C	B	A	EMBOSSED TAPE PKG. ORDER No. オーダー番号	極数 CIRCUIT

CONNECTOR SERIES No. 501786-xx41

REVISED EC NO: A	DESCRIPTION DRWN: NISHI CHKD: MATSUURA APPR: KMORIKAWA	GENERAL TOLERANCES (UNLESS SPECIFIED)		DIMENSION STYLE MM ONLY		SCALE //	DESIGN UNITS METRIC	THIRD ANGLE PROJECTION	
		10 UNDER	± 0.2	DRAWN BY M. TAKASAKI	DATE 08/12/05	TITLE 0.5 FFC TO BOARD CONN REC. HSG ASSY(RA)			
		10 OVER 30 UNDER	± 0.25	CHECKED BY M. HAYASHI	DATE 08/12/05	MATERIAL NO. SEE CHART			
		30 OVER	± 0.3	APPROVED BY N. UKITA	DATE 08/12/05	DOCUMENT NO. SD-501864-012			
ANGULAR ± 1 °		DRAFT WHERE APPLICABLE MUST REMAIN WITHIN DIMENSIONS		SIZE A3		SHEET NO. 1 OF 2			

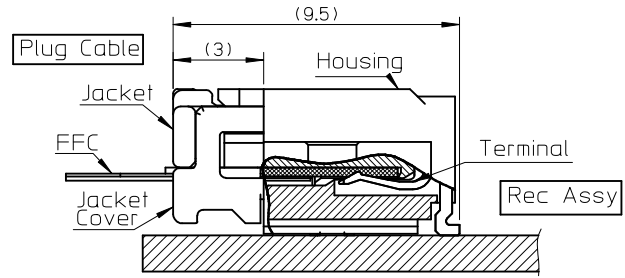


MOLEX INCORPORATED

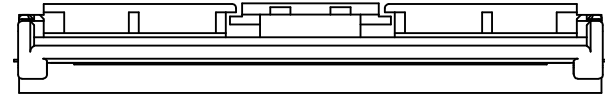


コネクタ接続部
CONTACT AREA

適合FFC寸法
APPLICABLE FFC
RECOMMENDED DIMENSION
(仕上がり厚さ: 接続部0.3±0.03)
(THICKNESS : CONTACT AREA 0.3±0.03)



嵌合断面図
MATED CONNECTOR SECTION

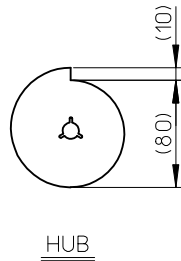
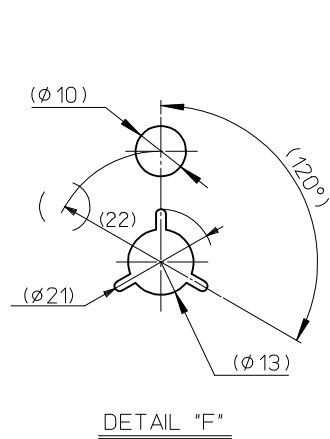
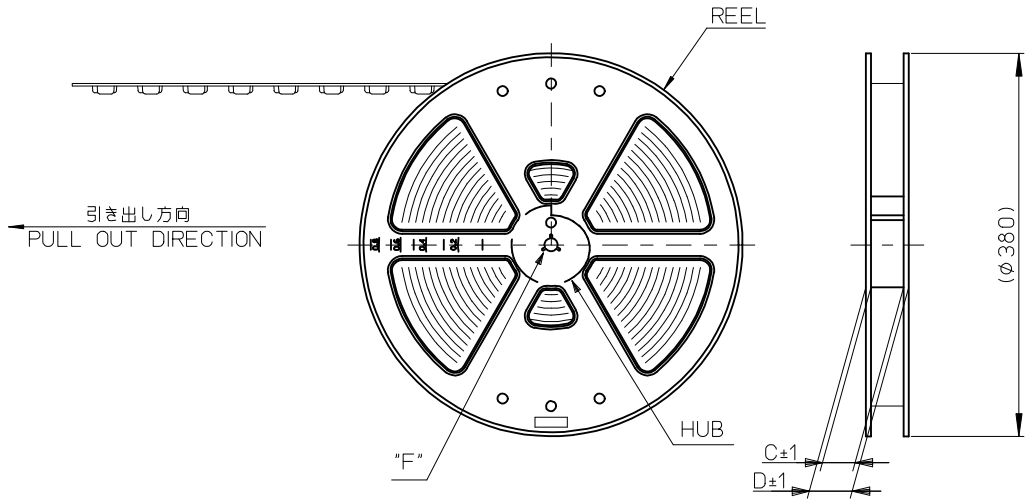


注記 1. 使用材料
NOTE MATERIAL

- ハウジング
HOUSING
: 液晶ポリマー (LCP)・ガラス充填.
UL94V-0 色: 黒色
LIQUID CRYSTAL POLYMER(LCP)
GLASS FILLED UL94V-0 COLOR:BLACK
- ターミナル
TERMINAL
: 銅合金 (τ=0.18)
COPPER ALLOY(τ=0.18)
- メッキ
PLATING
コンタクト
CONTACT AREA
: ニッケル下地 金メッキ
GOLD OVER NICKEL PLATING
- ソルダーテール
TAIL AREA
: ニッケル下地 金メッキ
GOLD OVER NICKEL PLATING
- 金具
FITTING NAIL
: 銅合金 (τ=0.25)
ニッケル下地 錫メッキ
COPPER ALLOY(τ=0.25)
TIN OVER NICKEL PLATING.

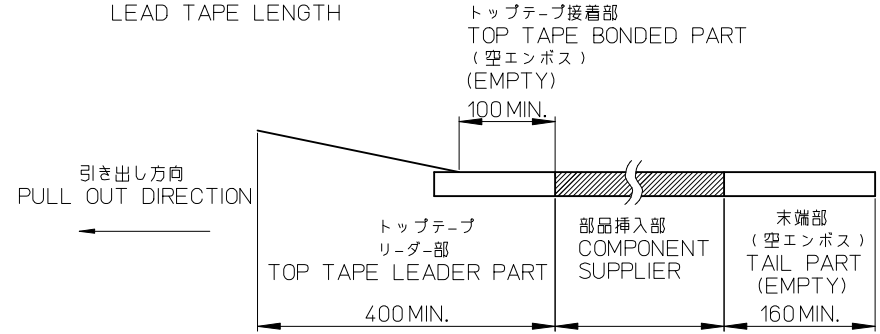
- △2 N=偶数に適用 (N:極数)
APPLY FOR N=EVEN(CIRCUIT)
- △3 パターン剥離止め用金具
FITTING NAIL FOR PREVENTION OF PEELING OF P.C.B PATTERN.
- △4 適合ジャケット: 501783-**09
製品詳細寸法はSD-501783-004を参照下さい。
APPLICABLE JACKET:501783-**09.RE DETAILED DIMENSION.SEE SD-501783-004.
- △5 適合ジャケットカバー: 501784-**09
製品詳細寸法はSD-501784-004を参照下さい。
APPLICABLE JACKET:501784-**09.RE DETAILED DIMENSION.SEE SD-501784-004.

REVISED EC NO: A	DESCRIPTION DR:WANNISHI CHKD:WATSUURA APPR:KMORIKAWA	GENERAL TOLERANCES (UNLESS SPECIFIED)		DIMENSION STYLE MM ONLY		SCALE //	DESIGN UNITS METRIC	THIRD ANGLE PROJECTION	
		10 UNDER	± 0.2	DRAWN BY M. TAKASAKI	DATE 08/12/05	TITLE 0.5 FFC TO BOARD CONN REC. HSG ASSY(RA)			
		10 OVER 30 UNDER	± 0.25	CHECKED BY M. HAYASHI	DATE 08/12/05	MOLEX INCORPORATED			
		30 OVER	± 0.3	APPROVED BY N. UKITA	DATE 08/12/05	DOCUMENT NO. SD-501864-012			
ANGULAR ±1 °		DRAFT WHERE APPLICABLE MUST REMAIN WITHIN DIMENSIONS		MATERIAL NO. SEE SHEET 1		SHEET NO. 2 OF 2			
THIS DRAWING CONTAINS INFORMATION THAT IS PROPRIETARY TO MOLEX INCORPORATED AND SHOULD NOT BE USED WITHOUT WRITTEN PERMISSION									



NOTES

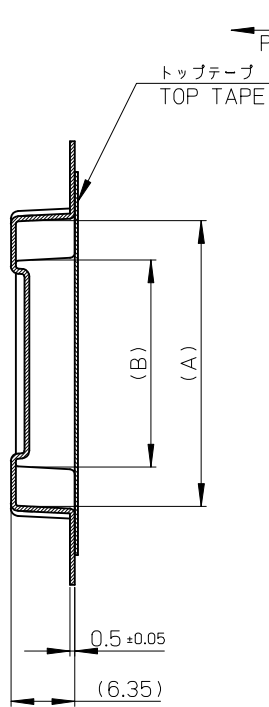
1. 梱包数量：900 個ノリール
NUMBER OF CONNECTORS:900 PCS/REEL
2. リードテープ長さ
LEAD TAPE LENGTH



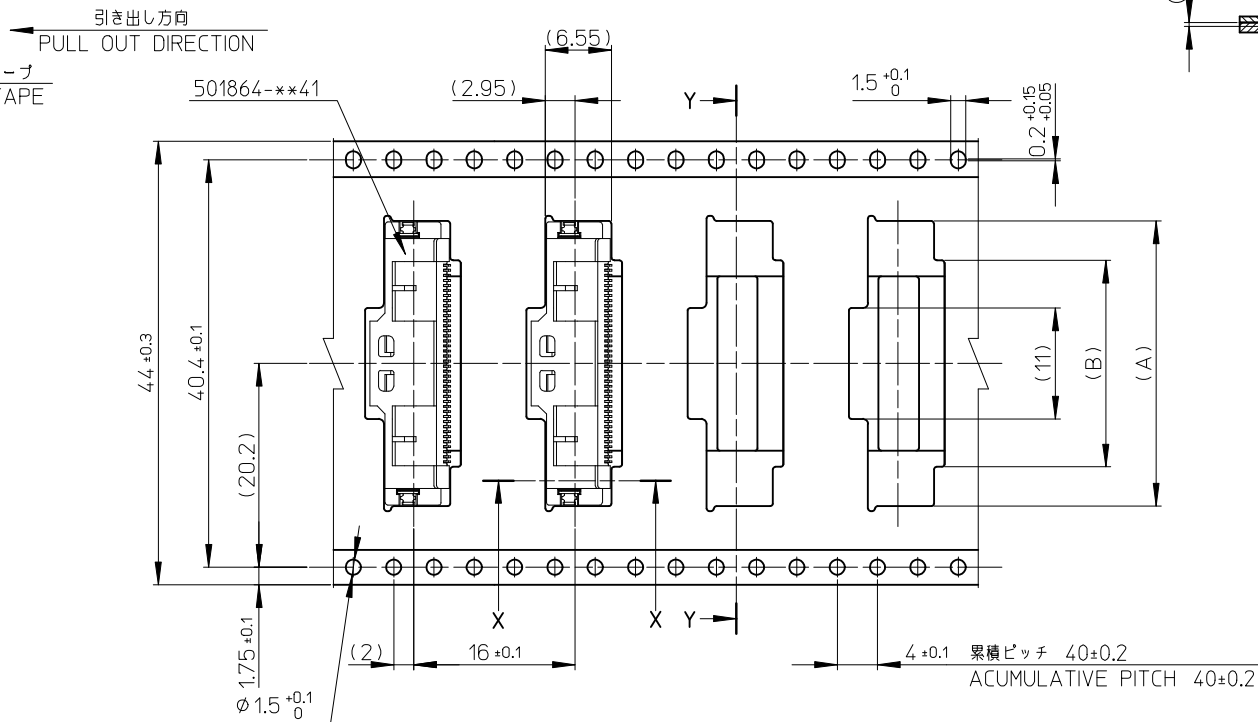
3. 製品詳細寸法については図面 SD-501864-012を参照下さい。
RE DETAILED DIMENSION, SEE SD-501864-012.
4. 材料(MATERIAL)
キャリアテープ(CARRIER TAPE)：ポリスチレン(POLYSTYRENE)
トップテープ(TOP TAPE)：PET, OTHER
リール(REEL)：ポリスチレン(POLYSTYRENE)

501864-**92 MODEL NO.

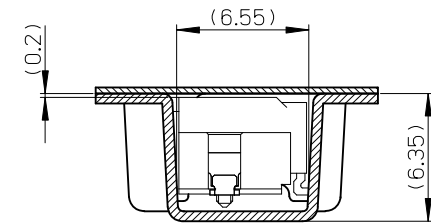
RELEASED EC NO: J2009-1485 DRWN: TAKASAKI 2008/12/08 CHKD: HAYASHI 2008/12/09 APPR: NUKITA 2008/12/09	GENERAL TOLERANCES (UNLESS SPECIFIED)		DIMENSION STYLE MM ONLY		SCALE ---	DESIGN UNITS METRIC	THIRD ANGLE PROJECTION
	10 UNDER	±0.2	DRAWN BY M. TAKASAKI	DATE 08/12/05	TITLE EMBSTP PKG FOR 0.5 FFC TO BOARD CONN RA TYPE -LEAD FREE-		
	10 OVER 30 UNDER	±0.25	CHECKED BY M. HAYASHI	DATE 08/12/05	MOLEX INCORPORATED		
	30 OVER	±0.3	APPROVED BY N. UKITA	DATE 08/12/05	DOCUMENT NO. SD-501864-013		
	ANGULAR ±1 °		MATERIAL NO. 501864-**92		SHEET NO. 1 OF 2		
DRAFT WHERE APPLICABLE MUST REMAIN WITHIN DIMENSIONS		THIS DRAWING CONTAINS INFORMATION THAT IS PROPRIETARY TO MOLEX INCORPORATED AND SHOULD NOT BE USED WITHOUT WRITTEN PERMISSION					



SECT. Y-Y



44mm幅キャリアテープ
44mm WIDTH CARRIER TAPE



SECT. X-X

44	49.4	45.4	15.5	23.3	501864-3092	30
キャリアテープ幅 CARRIER TAPE WIDTH	D	C	B	A	製品番号 MATERIAL NO.	極数 CKT

SEE SHEET 1 OF 2 EC NO: J2009-1485 DRWN: TAKASAKI 2008/12/08 CHKD: HAYASHI 2008/12/09 APPR: NUKITA 2008/12/09	GENERAL TOLERANCES (UNLESS SPECIFIED)		DIMENSION STYLE MM ONLY		SCALE ---	DESIGN UNITS METRIC	THIRD ANGLE PROJECTION	
	10 UNDER ±0.2 10 OVER 30 UNDER ±0.25 30 OVER ±0.3	DRAWN BY M. TAKASAKI		DATE 08/12/05		TITLE EMBSTP PKG FOR 0.5 FFC TO BOARD CONN RA TYPE -LEAD FREE-		
	ANGULAR ±1° DRAFT WHERE APPLICABLE MUST REMAIN WITHIN DIMENSIONS	CHECKED BY M. HAYASHI		DATE 08/12/05		MOLEX INCORPORATED		
	REV O	APPROVED BY N. UKITA		DATE 08/12/05		MATERIAL NO. 501864-***92	DOCUMENT NO. SD-501864-013	SHEET NO. 2 OF 2