

**PLEASE CHECK WWW.MOLEX.COM FOR LATEST PART INFORMATION**

**Part Number:** [0313872014](#)  
**Status:** **Active**  
**Overview:** [mx123 sealed connection systems](#)  
**Description:** 2.54mm (.100") Pitch, MX123™ Female Header, 73 Circuits Shrouded Assembly, 0.64mm (.025") Square Pins, Harness Side Key Code A, Black

**Documents:**

[Drawing \(PDF\)](#) [RoHS Certificate of Compliance \(PDF\)](#)  
[Product Specification PS-34566-0000 \(PDF\)](#)

**General**

Product Family	PCB Headers
Series	<a href="#">31387</a>
Application	Wire-to-Board
Overview	<a href="#">mx123 sealed connection systems</a>
Product Name	MX123

**Physical**

Breakaway	No
Circuits (Loaded)	73
Circuits (maximum)	73
Color - Resin	Black
First Mate / Last Break	No
Glow-Wire Compliant	No
Guide to Mating Part	No
Keying to Mating Part	None
Lock to Mating Part	Yes
Material - Metal	Copper Alloy
Material - Plating Mating	Tin
Material - Plating Termination	Nickel
Material - Resin	Nylon Alloy
Number of Rows	4
Orientation	Vertical
PC Tail Length (in)	0.255 In
PC Tail Length (mm)	6.50 mm
PCB Locator	No
PCB Retention	None
Packaging Type	Carton
Pitch - Mating Interface (in)	0.100 In
Pitch - Mating Interface (mm)	2.50 mm
Pitch - Term. Interface (in)	0.100 In
Pitch - Term. Interface (mm)	2.50 mm
Polarized to Mating Part	Yes
Polarized to PCB	No
Shrouded	Yes
Stackable	No
Surface Mount Compatible (SMC)	No
Termination Interface: Style	Through Hole

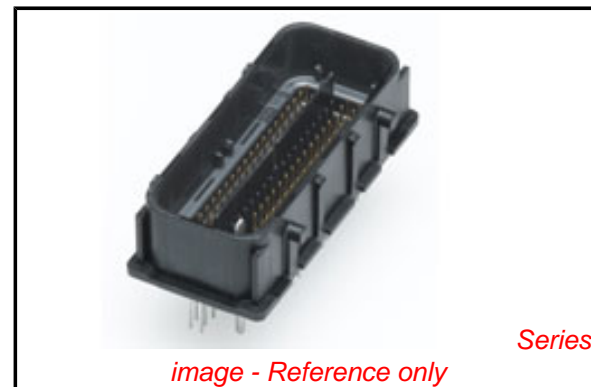
**Electrical**

Current - Maximum per Contact	11A
Voltage - Maximum	500V

**Material Info**

**Reference - Drawing Numbers**

Product Specification	PS-34566-0000
-----------------------	---------------



**EU RoHS**

**ELV and RoHS  
Compliant**

**REACH SVHC**

**Contains SVHC: No**

**Halogen-Free**

**Status**

**Not Reviewed**

**China RoHS**



**Need more information on product  
environmental compliance?**

Email [productcompliance@molex.com](mailto:productcompliance@molex.com)  
 For a multiple part number RoHS Certificate of Compliance, [click here](#)

Please visit the [Contact Us](#) section for any non-product compliance questions.

**Search Parts in this Series**

[31387Series](#)

**Mates With**

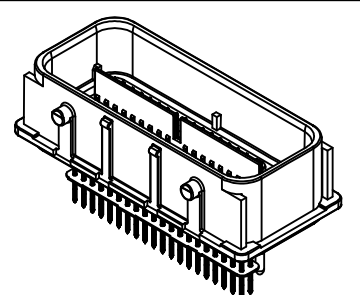
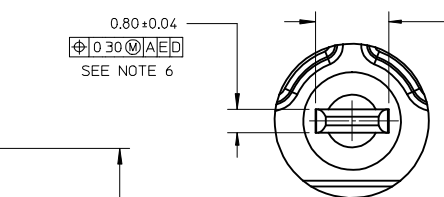
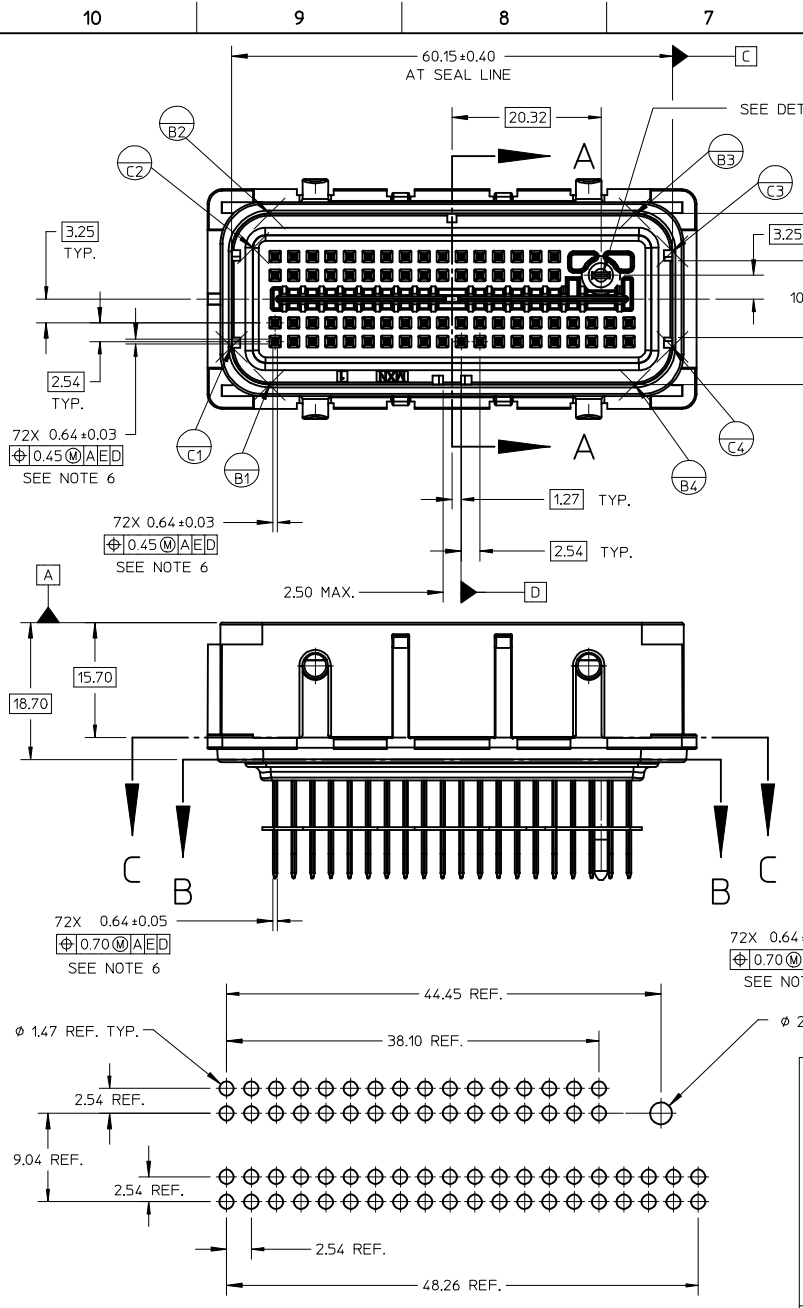
MX123™ Female Receptacle Housing  
[34566](#) , [34576](#)

**Use With**

[33467](#) MX64 Female Terminals

This document was generated on 05/24/2010

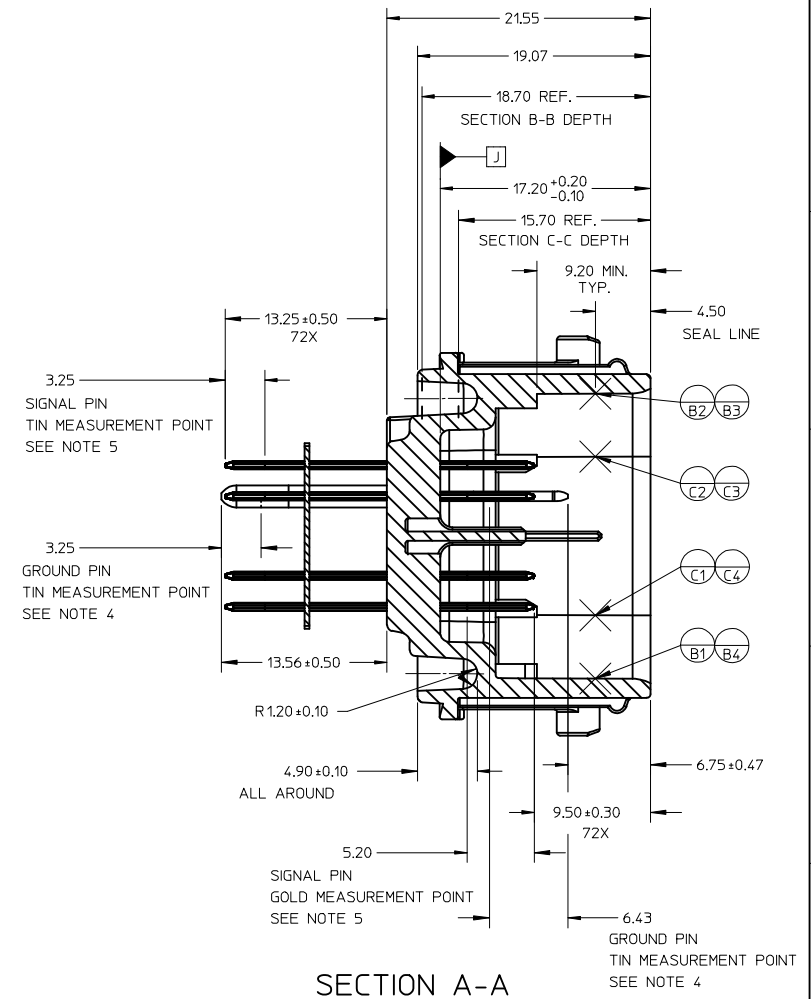
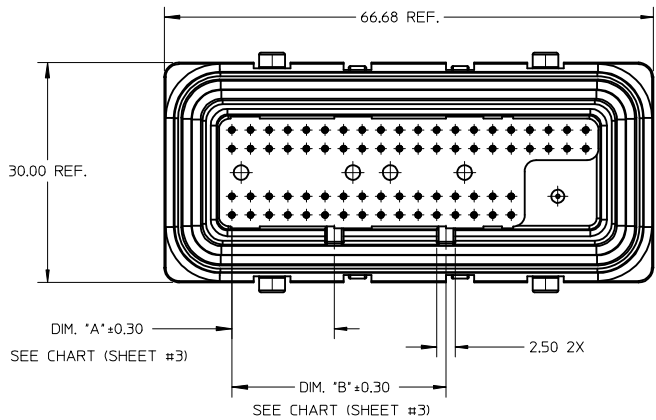
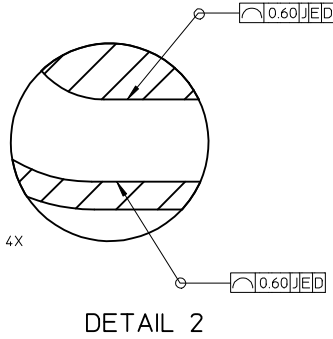
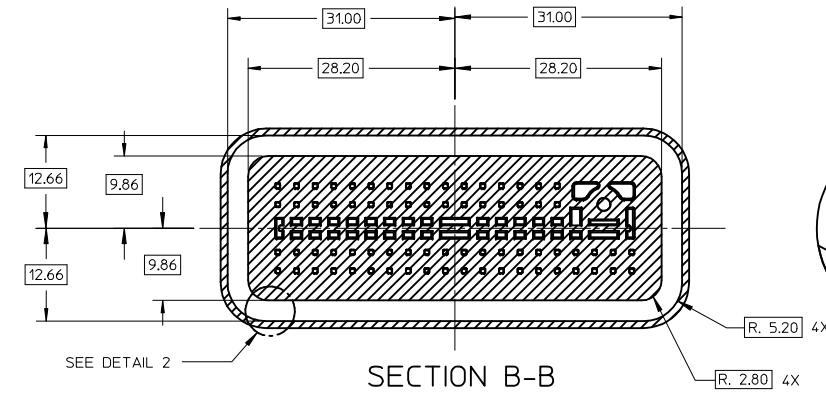
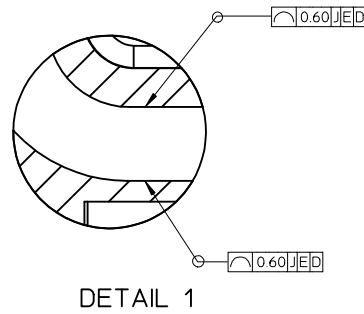
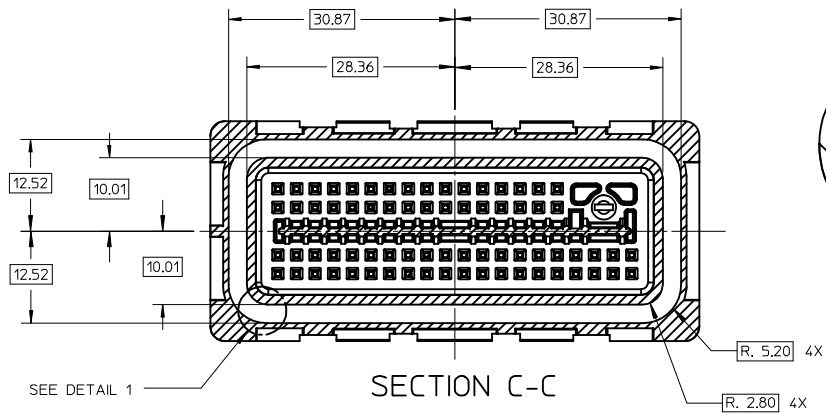
**PLEASE CHECK [WWW.MOLEX.COM](http://WWW.MOLEX.COM) FOR LATEST PART INFORMATION**



- NOTES:
- DIMENSIONS AND TOLERANCES ARE VALID FOR THE AS SHIPPED SHROUD ASSEMBLY
  - SEE ASME Y14.5-1994 FOR GD&T INTERPRETATION
  - RESIN MATERIAL: 30%GF PBT. SEE CHART FOR COLOR AND KEYING OPTIONS
  - MEASUREMENT POINT FOR GROUND PIN PLATING:  
UNDERPLATE: NICKEL 1.27-2.54  $\mu$ m  
SOLDER TAIL SIDE: SELECT TIN 2.54-10.16  $\mu$ m, MATTE FINISH  
PIN SOLDERABILITY PER SMES-152  
BLADE SIDE: SELECT TIN 2.54-4.06  $\mu$ m, MATTE FINISH
  - MEASUREMENT POINT FOR SIGNAL PIN PLATING:  
UNDERPLATE: NICKEL 1.27-2.54  $\mu$ m  
SELECT GOLD: 0.76  $\mu$ m MIN.  
SELECT TIN: 5.08-10.16  $\mu$ m BRIGHT FINISH  
PIN SOLDERABILITY PER SMES-152
  - ALL PIN TRUE POSITION FUNCTIONALLY CHECKED BY ON-LINE GAUGING
  - FOR ALL HARNESS INTERFACE DIMENSIONS AND TOLERANCE REFERENCE MOLEX DRAWINGS: SD-34565-001 (MX123 73/80 WIRE DRESS COVER)  
SD-34566-001 (MX123 73/80 CKT. HARNESS CONNECTOR)  
SD-33468-001 (MX64 RECEPTACLE TERMINAL)
  - NOTE: ASSEMBLY SHALL NOT EXCEED 125° C DURING POST PROCESSING OR DURING THE ATTACHMENT PROCESS
  - ADHESIVE FOR ATTACHMENT: AS A GENERAL GUIDELINE MOLEX USES SILICONE BASED ADHESIVES AS AN ATTACHMENT METHOD TO CREATE A PERMANENT ADHESIVE BOND BETWEEN THE SHROUD AND AN ALUMINUM DIE-CASTING
  - PACKAGING PER MOLEX PK-31300-840
  - REFER TO THE MX123 USER MANUAL @ <http://www.molex.com/ind/mx123.html>

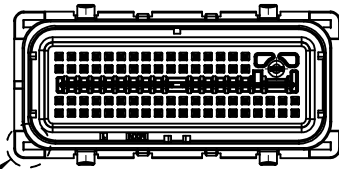
ENTER DESCRIPTION EC NO: UAU2009-1301 DRAWN/FENCL 2009/07/22 CHKD/F: JAKLIC 2009/07/22 APPR: GPRATT 2009/07/24 A	QUALITY SYMBOLS ▽=0 ▽=0	GENERAL TOLERANCES (UNLESS SPECIFIED)		DIMENSION STYLE MM ONLY		SCALE 2:1	DESIGN UNITS METRIC	THIRD ANGLE PROJECTION			
		4 PLACES ± --- ± ---	3 PLACES ± --- ± ---	2 PLACES ± 0.13 ± ---	1 PLACE ± 0.25 ± ---	DRAWN BY FJAKLIC	DATE 04/30/08	TITLE 73 CKT SHROUD ASSEMBLY 0.64 SQ. PINS MX123			
		ANGULAR ± 1°				CHECKED BY FJAKLIC	DATE 04/30/08	MOLEX MOLEX INCORPORATED			
		DRAFT WHERE APPLICABLE MUST REMAIN WITHIN DIMENSIONS				APPROVED BY GPRATT	DATE 05/05/08	MATERIAL NO. SEE CHART	DOCUMENT NO. SD-31387-073	SHEET NO. 1 OF 3	

THIS DRAWING CONTAINS INFORMATION THAT IS PROPRIETARY TO MOLEX INCORPORATED AND SHOULD NOT BE USED WITHOUT WRITTEN PERMISSION



<b>ENTER DESCRIPTION</b> EC NO: UAU2009-1301 DRW:DFENCL 2009/07/22 CHKD:FJAKLIC 2009/07/22 APPR:GPRATT 2009/07/24 A	<b>QUALITY SYMBOLS</b> ▽=0 ▽=0	<b>GENERAL TOLERANCES (UNLESS SPECIFIED)</b>		<b>DIMENSION STYLE</b> MM ONLY		SCALE 2:1	DESIGN UNITS METRIC	THIRD ANGLE PROJECTION			
		4 PLACES ± --- ± --- 3 PLACES ± --- ± --- 2 PLACES ± 0.13 ± --- 1 PLACE ± 0.25 ± ---	mm INCH	DRAWN BY FJAKLIC	DATE 04/30/08	TITLE 73 CKT SHROUD ASSEMBLY 0.64 SQ. PINS MX123					
		ANGULAR ± 1°		CHECKED BY FJAKLIC	DATE 04/30/08	APPROVED BY GPRATT					
		DRAFT WHERE APPLICABLE MUST REMAIN WITHIN DIMENSIONS		MATERIAL NO. SEE CHART		DATE 05/05/08		DOCUMENT NO. SD-31387-073		SHEET NO. 2 OF 3	
THIS DRAWING CONTAINS INFORMATION THAT IS PROPRIETARY TO MOLEX INCORPORATED AND SHOULD NOT BE USED WITHOUT WRITTEN PERMISSION											

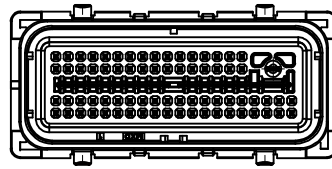
SHROUD ASSEMBLY NUMBER	COLOR	HARNESS SIDE KEY CODE	PCB SIDE KEY LOCATION		MATING HARNESS PART NUMBER
			DIM. "A" (SEE SHEET 2)	DIM. "B" (SEE SHEET 2)	
31387-2014	BLACK	A	13.97	29.21	345660103
31387-2002	GRAY	B	8.89	19.05	345660203
31387-2003	BLUE	C	8.89	24.13	345660303



MATE SIDE  
POLARIZATION KEY  
AT CORNERS

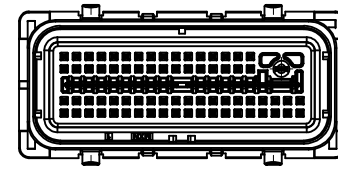
MOLEX P/N 31387-2014  
KEY OPTION 'A'  
COLOR: BLACK

SEE CHART FOR PART NUMBER  
OF MATING HARNESS CONNECTOR



MOLEX P/N 31387-2002  
KEY OPTION 'B'  
COLOR: GRAY

SEE CHART FOR PART NUMBER  
OF MATING HARNESS CONNECTOR



MOLEX P/N 31387-2003  
KEY OPTION 'C'  
COLOR: BLUE

SEE CHART FOR PART NUMBER  
OF MATING HARNESS CONNECTOR

ENTER DESCRIPTION EC NO: UAU2009-1301 DRWNG: FENCL 2009/07/22 CHKDF: JAKL I C 2009/07/22 APPR: GPRATT 2009/07/24 REV A	QUALITY SYMBOLS ▽=0 ▽=0	GENERAL TOLERANCES (UNLESS SPECIFIED)		DIMENSION STYLE MM ONLY		SCALE 2:1	DESIGN UNITS METRIC	THIRD ANGLE PROJECTION		
			mm	INCH	DRAWN BY FJAKL I C	DATE 04/30/08	TITLE 73 CKT SHROUD ASSEMBLY 0.64 SQ. PINS MX123			
			4 PLACES ± ---	± ---	CHECKED BY FJAKL I C	DATE 04/30/08				
			3 PLACES ± ---	± ---	APPROVED BY GPRATT	DATE 05/05/08	MOLEX INCORPORATED		DOCUMENT NO. SD-31387-073	
		2 PLACES ± 0.13	± ---	MATERIAL NO.		SHEET NO. 3 OF 3				
		1 PLACE ± 0.25	± ---	DRAFT WHERE APPLICABLE MUST REMAIN WITHIN DIMENSIONS		SEE CHART		THIS DRAWING CONTAINS INFORMATION THAT IS PROPRIETARY TO MOLEX INCORPORATED AND SHOULD NOT BE USED WITHOUT WRITTEN PERMISSION		