

**PLEASE CHECK WWW.MOLEX.COM FOR LATEST PART INFORMATION**

**Part Number:** [0313862001](#)  
**Status:** **Active**  
**Overview:** [mx123 sealed connection systems](#)  
**Description:** 2.54mm (.100") Pitch, MX123™ Female Header, 56 Circuits Shrouded Assembly, 0.64mm (.025") Square Pins, Harness Side Key Code G, Blue

**Documents:**

[Drawing \(PDF\)](#) [RoHS Certificate of Compliance \(PDF\)](#)  
[Product Specification PS-34566-0000 \(PDF\)](#)

**General**

Product Family	PCB Headers
Series	<a href="#">31386</a>
Application	Wire-to-Board
Overview	<a href="#">mx123 sealed connection systems</a>
Product Name	MX123

**Physical**

Breakaway	No
Circuits (Loaded)	56
Circuits (maximum)	56
Color - Resin	Blue
First Mate / Last Break	No
Glow-Wire Compliant	No
Guide to Mating Part	No
Keying to Mating Part	None
Lock to Mating Part	Yes
Material - Metal	Copper Alloy
Material - Plating Mating	Tin
Material - Plating Termination	Nickel
Material - Resin	Nylon Alloy
Number of Rows	4
Orientation	Vertical
PC Tail Length (in)	0.255 In
PC Tail Length (mm)	6.50 mm
PCB Locator	No
PCB Retention	None
Packaging Type	Carton
Pitch - Mating Interface (in)	0.100 In
Pitch - Mating Interface (mm)	2.50 mm
Pitch - Term. Interface (in)	0.100 In
Pitch - Term. Interface (mm)	2.50 mm
Polarized to Mating Part	Yes
Polarized to PCB	No
Shrouded	Yes
Stackable	No
Surface Mount Compatible (SMC)	No
Termination Interface: Style	Through Hole

**Electrical**

Current - Maximum per Contact	11A
Voltage - Maximum	500V

**Material Info**

**Reference - Drawing Numbers**

Packaging Specification	PK-31300-840
-------------------------	--------------



*image - Reference only*

**EU RoHS**

**ELV and RoHS  
Compliant**

**REACH SVHC**

**Contains SVHC: No**

**Halogen-Free**

**Status**

**Not Reviewed**

**China RoHS**



**Need more information on product  
environmental compliance?**

Email [productcompliance@molex.com](mailto:productcompliance@molex.com)  
 For a multiple part number RoHS Certificate of Compliance, [click here](#)

Please visit the [Contact Us](#) section for any non-product compliance questions.

**Search Parts in this Series**

[31386Series](#)

**Mates With**

MX123™ Female Receptacle Housing  
[34566](#) , [34576](#)

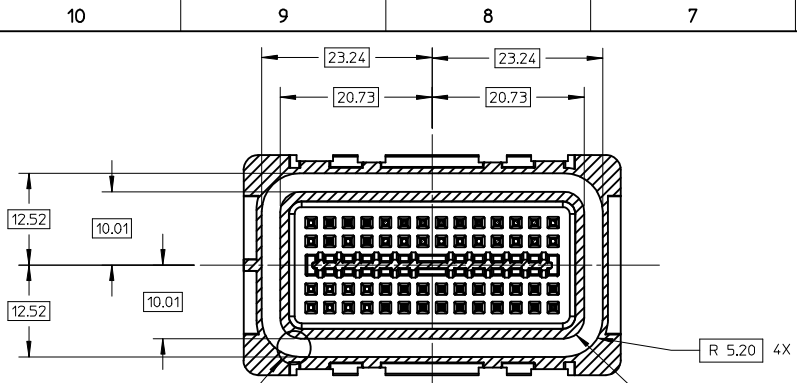
**Use With**

[33467](#) MX64 Female Terminals

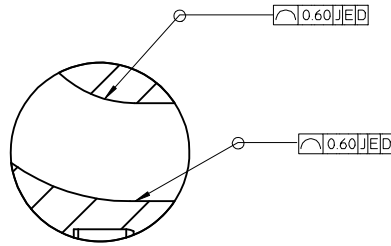
This document was generated on 05/24/2010

**PLEASE CHECK [WWW.MOLEX.COM](http://WWW.MOLEX.COM) FOR LATEST PART INFORMATION**

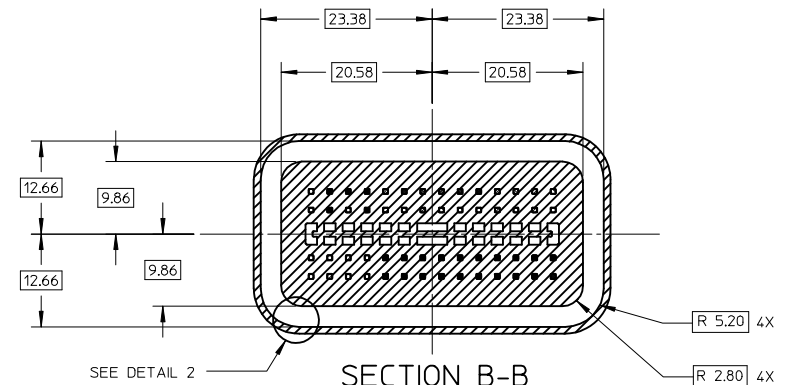




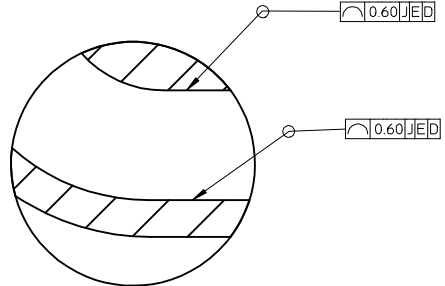
SECTION C-C



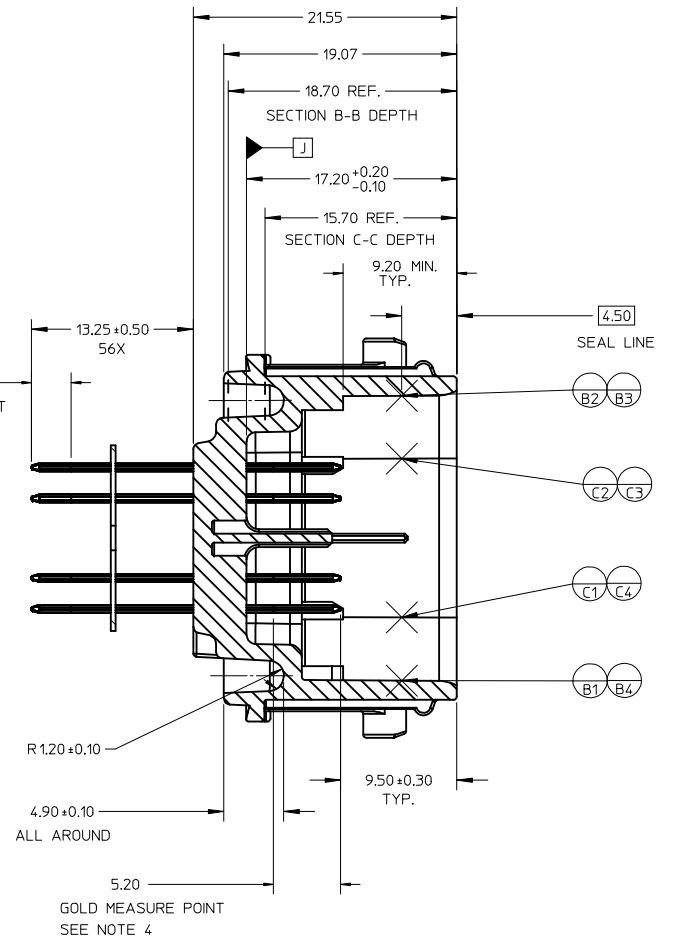
DETAIL 1



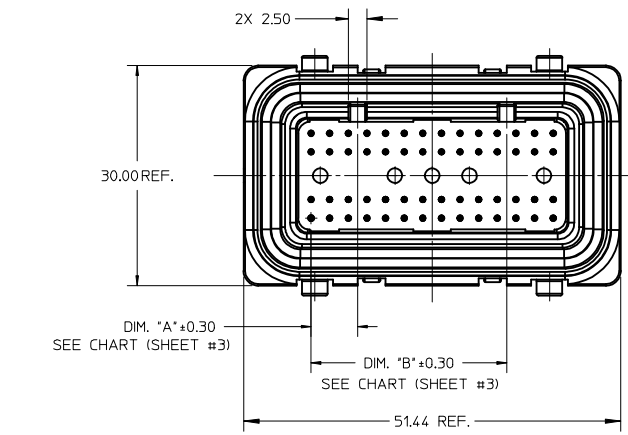
SECTION B-B



DETAIL 2

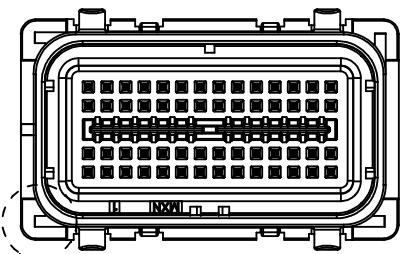


SECTION A-A



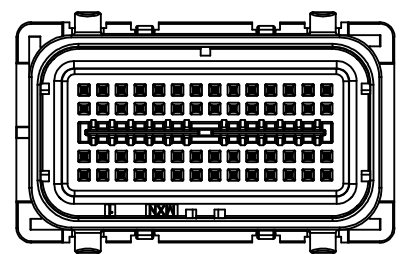
<b>ENTER DESCRIPTION</b> EC NO: UAU2009-1301 DRWNG: FENCL 2009/07/22 CHKDF: JAKLIC 2009/07/22 APPR: GPRATT 2009/07/24 A	<b>QUALITY SYMBOLS</b> ▽=0 ▽=0	<b>GENERAL TOLERANCES (UNLESS SPECIFIED)</b>		<b>DIMENSION STYLE</b> MM ONLY		SCALE 2:1	DESIGN UNITS METRIC	THIRD ANGLE PROJECTION			
		4 PLACES ± --- ± --- 3 PLACES ± --- ± --- 2 PLACES ± 0.13 ± --- 1 PLACE ± 0.25 ± ---	mm INCH	DRAWN BY FJAKLIC	DATE 04/30/08	TITLE 56 CKT SHROUD ASSEMBLY 0.64 SQ. PINS MX123					
		ANGULAR ± 1°		CHECKED BY FJAKLIC	DATE 04/30/08	APPROVED BY GPRATT					
		DRAFT WHERE APPLICABLE MUST REMAIN WITHIN DIMENSIONS		SEE CHART		MATERIAL NO. SEE CHART	DATE 05/05/08	MOLEX INCORPORATED		DOCUMENT NO. SD-31386-056	SHEET NO. 2 OF 3

SHROUD ASSEMBLY NUMBER	COLOR	HARNESS SIDE KEY CODE	PCB SIDE KEY LOCATION		MATING HARNESS PART NUMBER
			DIM. "A" (SEE SHEET 2)	DIM "B" (SEE SHEET 2)	
31386-2001	BLUE	G	6.35	26.67	345760703
31386-2002	GRAY	H	1.27	21.59	345760803



MATE SIDE  
POLARIZATION KEY  
AT CORNERS

MOLEX P/N 31386-2001  
KEY OPTION "G"  
COLOR: BLUE  
  
SEE CHART FOR PART NUMBER  
OF MATING HARNESS CONNECTOR



MOLEX P/N 31386-2002  
KEY OPTION "H"  
COLOR: GRAY  
  
SEE CHART FOR PART NUMBER  
OF MATING HARNESS CONNECTOR

<b>ENTER DESCRIPTION</b> EC NO: UAU2009-1301 DRW:DFENC 2009/07/22 CHK:DFJAKLIC 2009/07/22 APPR:GPRATT 2009/07/24 A	<b>QUALITY SYMBOLS</b> ▽=0 ▽7=0	<b>GENERAL TOLERANCES (UNLESS SPECIFIED)</b>		<b>DIMENSION STYLE</b> MM ONLY		SCALE 1.5:1	DESIGN UNITS METRIC	THIRD ANGLE PROJECTION			
		4 PLACES ± --- ± ---	3 PLACES ± --- ± ---	2 PLACES ± 0.13 ± ---	1 PLACE ± 0.25 ± ---	DRAWN BY FJAKLIC	DATE 04/30/08	TITLE 56 CKT SHROUD ASSEMBLY 0.64 SQ. PINS MX123			
		ANGULAR ± 1 °				CHECKED BY FJAKLIC	DATE 04/30/08	MOLEX INCORPORATED			
		DRAFT WHERE APPLICABLE MUST REMAIN WITHIN DIMENSIONS				APPROVED BY GPRATT	DATE 05/05/08	MATERIAL NO. SEE CHART	DOCUMENT NO. SD-31386-056	SHEET NO. 3 OF 3	