

## Power Resistors for Mounting onto a Heatsink Thick Film Technology



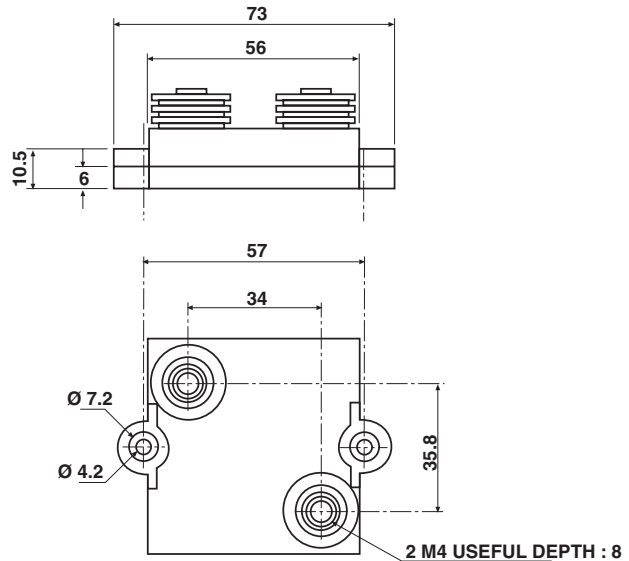
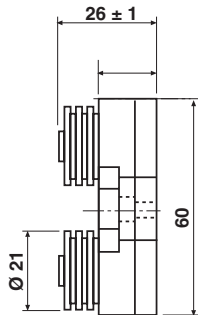
### FEATURES

- High power rating
- High overload capability
- Easy mounting
- Low thermal radiation of the case

This range has been developed specifically for electrical traction applications and is capable of dissipating 500W at +70°C. The remarkable performance characteristics are evident when used in severe pulse conditions. The copper base allows easy mounting on the heatsink and provides optimal dissipation conditions.

### DIMENSIONS in millimeters

#### RPS 500D



• Tolerance unless stated: ± 0.2mm

### MECHANICAL SPECIFICATIONS

<b>Mechanical Protection</b>	Insulated case
<b>Substrate</b>	Alumina onto base of nickel coated copper
<b>Resistive Element</b>	Cermet
<b>End Connections</b>	Screws M4 (M5 on request)
<b>Tightening Torque on Connections</b>	2Nm
<b>Tightening Torque on Heatsink Weight</b>	4Nm 250g ± 10%

### ENVIRONMENTAL

<b>Thermal Resistance</b>	RTH (j-c) 0.11°C/W
<b>Temperature Range</b>	- 55°C to + 125°C
<b>Climatic Category</b>	55/125/56

ELECTRICAL SPECIFICATIONS	
<b>Resistance Range</b>	0.24 to 1M E24 series
<b>Tolerances</b>	± 1% to ± 10%
<b>Power Rating Chassis mounted</b>	500W at 70°C continuous 1000W at 25°C for 10 seconds
<b>Temperature Coefficient Standard</b>	± 300ppm/°C < 1Ω ± 150ppm/°C > 1Ω
<b>Limiting Element Voltage</b>	5kVRMS
<b>Dielectric Strength*</b>	L:7kVRMS - H: 12kVRMS
<b>Insulation Resistance</b>	> 10 <sup>6</sup> MΩ
<b>Inductance</b>	< 50 nH

\*MIL STD 202, 1 Minute, 10mA Max



<b>PERFORMANCE</b>		
<b>TESTS</b>	<b>CONDITIONS</b>	<b>TYPICAL DRIFTS</b>
<b>Momentary Overload</b>	NF EN 140000 CEI 115_1 2Pn/10 seconds	< ± (0.25% + 0.05Ω)
<b>Rapid Temperature Change</b>	NF EN 140000 CEI 68214 Test Na 5 cycles - 55°C to + 125°C	< ± (0.25% + 0.05Ω)
<b>Load Life (chassis mounted)</b>	NF EN 140000 CEI 115_1 1000 hours 500 W/70°C (no cycling)	< ± (0.5% + 0.05Ω)
<b>Humidity (steady state)</b>	MIL STD 202 Method 103 B and D 56 days 95% R.H.	< ± (0.5% + 0.05Ω)

<b>RESISTANCE VALUE IN RELATION TO TOLERANCE AND TCR</b>		
<b>Ohmic</b>	< 1Ω	> 1Ω
<b>Standard Tolerance</b>	± 5%	± 5%
<b>Standard T.C.R.</b>	± 300ppm/°C	± 150ppm/°C
<b>Tolerance On Request</b>	± 1% - ± 2% - ± 10%	

## CHOICE OF THE HEATSINK

The user must choose the heatsink according to the working conditions of the component (power, room temperature). Maximum working temperature must not exceed 125°C.

The dissipated power is simply calculated by the following ratio:

$$P = \frac{\Delta T}{[R_{TH} (j-c) + R_{TH} (c-a)]} \quad (1)$$

P: expressed in W

ΔT: difference between maximum working temperature and room temperature.

R<sub>TH</sub> (j-c): thermal resistance value measured between resistive layer and outer side of the resistor. It is the thermal resistance of the component: 0.11°C/W.

R<sub>TH</sub> (c-a): thermal resistance value measured between outer side of the resistor and room temperature. It is the thermal resistance of the heatsink, depending on the heatsink itself (type, shape) and the quality of the fastening device.

## RECOMMENDATIONS FOR MOUNTING ONTO A HEATSINK

Surfaces in contact must be carefully cleaned.

The heater must have an acceptable flatness: from 0.05mm to 0.1mm/100mm.

Roughness of the heatsink must be around 6.3μm.

In order to improve thermal conductivity, surfaces in contact (alumina, heatsink) should be coated with a silicon grease (type SI 340 Rhône-Poulenc or Dow Corning).

The fastening of the resistor to the heatsink is under pressure control of two screws. Tightening torque: 4Nm.

The following accessories are supplied with each product: 2 off M 4 x 16, 2 off M4 TE 4 x 0.6 and 2 off M4 washers.

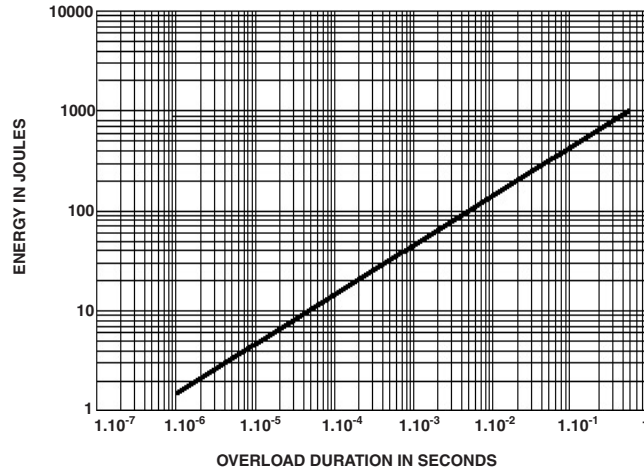


**OVERLOADS**

**Short time overload:** 2Pn/10 seconds

**Accidental overload:** The values indicated in the graph below are applicable to resistors in air or mounted onto a heatsink.

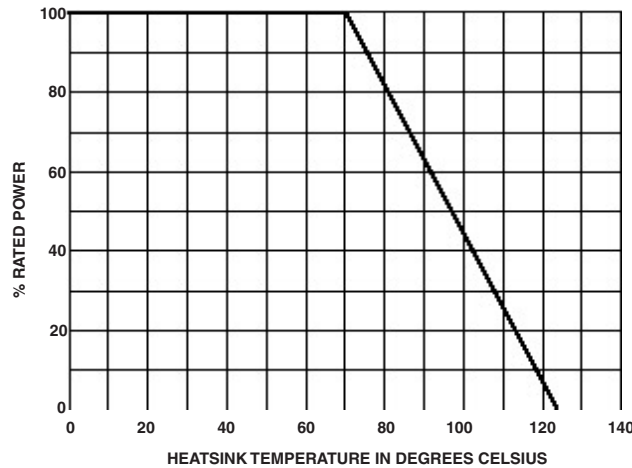
**ENERGY CURVE**



**POWER RATING CHART**

The heatsink temperature should be maintained at the values specified in fig. 2.

To optimise the thermal conduction, contacting surfaces should be coated with silicone grease and heatsink mounting screws tightened to 4Nm.



**MARKING**

Series, style, ohmic value (in  $\Omega$ ), tolerance (in  $\%$ ), tolerance (in  $\%$ ), manufacturing date, VISHAY trade mark.

ORDERING INFORMATION					
RPS	500D	H	100 $\Omega$	$\pm 10\%$	xxx
MODEL	STYLE	CONNECTIONS	RESISTANCE VALUE	TOLERANCE	CUSTOM DESIGN
		Optional H: dielectric strength 12kV L: dielectric strength 7kV		Optional $\pm 1\%$ $\pm 2\%$ $\pm 5\%$ $\pm 10\%$	Options on request T.C.R., shape, etc.



## Notice

Specifications of the products displayed herein are subject to change without notice. Vishay Intertechnology, Inc., or anyone on its behalf, assumes no responsibility or liability for any errors or inaccuracies.

Information contained herein is intended to provide a product description only. No license, express or implied, by estoppel or otherwise, to any intellectual property rights is granted by this document. Except as provided in Vishay's terms and conditions of sale for such products, Vishay assumes no liability whatsoever, and disclaims any express or implied warranty, relating to sale and/or use of Vishay products including liability or warranties relating to fitness for a particular purpose, merchantability, or infringement of any patent, copyright, or other intellectual property right.

The products shown herein are not designed for use in medical, life-saving, or life-sustaining applications. Customers using or selling these products for use in such applications do so at their own risk and agree to fully indemnify Vishay for any damages resulting from such improper use or sale.