



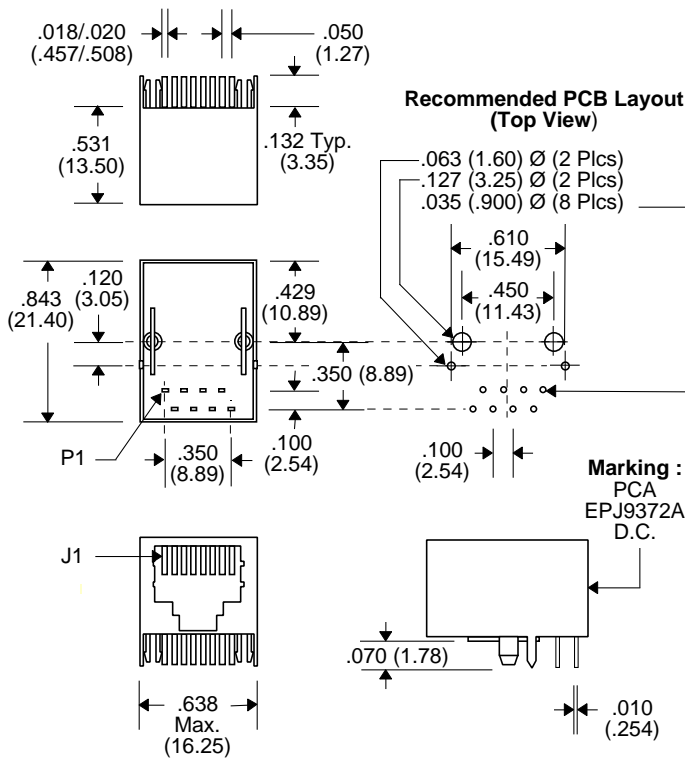
- Designed for SitePlayer
- Space saving RJ-45 Connectors
- Available in different shielding configurations
- Complies with or exceeds IEEE 802.3, 10Base-T Requirements

Electrical Parameters @ 25° C

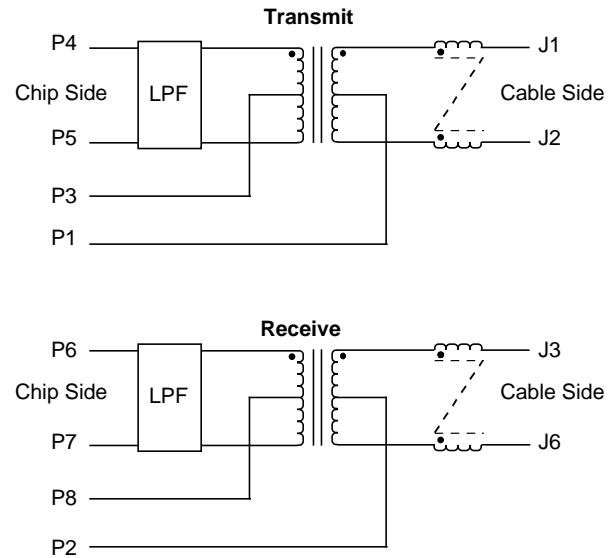
Cut-off Frequency (MHz)	Insertion Loss (dB Max.)	Return Loss (dB Min.)	Attenuation (dB Min.)				Common Mode Rejection (dB Min.)			Crosstalk (dB Min.)
			@ 20 MHz	@ 25 MHz	@ 30 MHz	@ 40 MHz	@ 50 MHz	@ 100 MHz	@ 200 MHz	
Typ.	1-10 MHz	5-10 MHz	@ 20 MHz	@ 25 MHz	@ 30 MHz	@ 40 MHz	@ 50 MHz	@ 100 MHz	@ 200 MHz	@ 1-10 MHz
Xmit/Rcv	Xmit/Rcv	Xmit/Rcv	Xmit/Rcv	Xmit/Rcv	Xmit/Rcv	Xmit/Rcv	Xmit/Rcv	Xmit/Rcv	Xmit/Rcv	Xmit/Rcv
17/17	-1.15/-1.0	-17/-17	-7/-5	-15/-11	-30/-25	-35/-30	-30/-30	-30/-30	-20/-20	-30/-30

• Isolation : 1500 Vrms • Cable Side Impedance : 100 •

Package



Schematic



Unless Otherwise Specified Dimensions are in Inches /mm ± .010 /.25