

**PLEASE CHECK WWW.MOLEX.COM FOR LATEST PART INFORMATION**

**Part Number:** [0746421005](#)  
**Status:** **Active**  
**Overview:** [ganged\\_rf](#)  
**Description:** 6.25mm (.246") Pitch Ganged RF Receptacle, Right Angle, 6 Circuits

**Documents:**

[Drawing \(PDF\)](#) [Product Specification PS-74854-001 \(PDF\)](#)  
[Packaging Specification \(PDF\)](#) [RoHS Certificate of Compliance \(PDF\)](#)

**General**

Product Family	Backplane Connectors
Series	<a href="#">74642</a>
Application	Daughtercard
Comments	Port Number 5 Loaded
Component Type	PCB Receptacle
Overview	<a href="#">ganged_rf</a>
Product Name	Ganged RF
Style	N/A

**Physical**

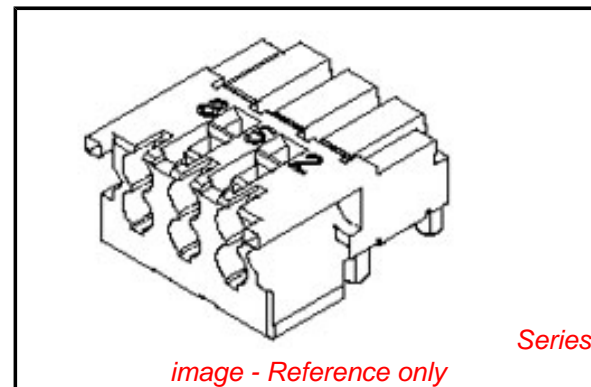
Circuits (Loaded)	5
Circuits (maximum)	6
Color - Resin	Natural
Durability (mating cycles max)	500
First Mate / Last Break	No
Guide to Mating Part	No
Keying to Mating Part	None
Material - Metal	High Performance Alloy (HPA)
Material - Resin	High Temperature Thermoplastic
Number of Columns	3
Number of Pairs	N/A
Number of Rows	2
Orientation	Right Angle
PC Tail Length (in)	0.093 In
PC Tail Length (mm)	2.36 mm
PCB Locator	Yes
PCB Retention	None
PCB Thickness Recommended (in)	0.093 In
PCB Thickness Recommended (mm)	2.36 mm
Packaging Type	Tray
Pitch - Mating Interface (in)	0.246 In
Pitch - Mating Interface (mm)	6.25 mm
Polarized to PCB	Yes
Stackable	Yes
Surface Mount Compatible (SMC)	Yes
Temperature Range - Operating	-40°C to +85°C
Termination Interface: Style	Through Hole - Compliant Pin

**Electrical**

Current - Maximum per Contact	1A
Data Rate	3.0 Gbps
Shielded	No
Voltage - Maximum	50V AC

**Material Info**

**Reference - Drawing Numbers**



*image - Reference only*

**EU RoHS**

**RoHS Compliant by Exemption**

**REACH SVHC**

Not Reviewed

**Halogen-Free**

**Status**

**Not Halogen-Free**

**China RoHS**



Pb

**Need more information on product environmental compliance?**

Email [productcompliance@molex.com](mailto:productcompliance@molex.com)  
 For a multiple part number RoHS Certificate of Compliance, [click here](#)

Please visit the [Contact Us](#) section for any non-product compliance questions.

**Search Parts in this Series**

[74642Series](#)

**Mates With**

[74712 Ganged RF Header](#)

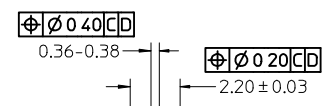
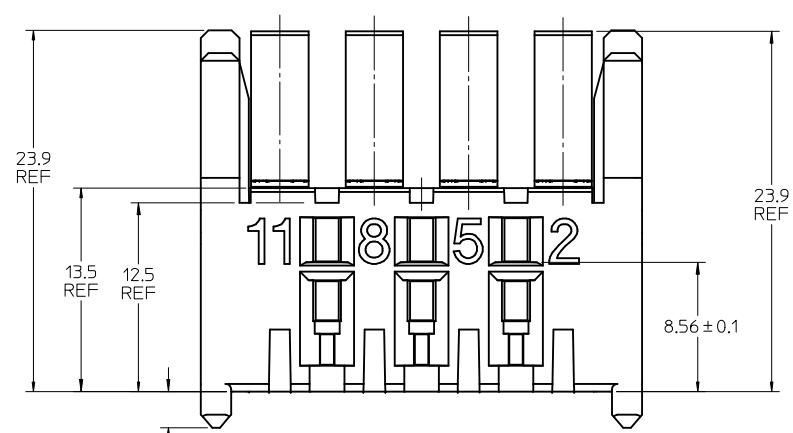
Packaging Specification  
Product Specification  
Sales Drawing

PK-74642-001  
PS-74854-001  
SD-74642-001

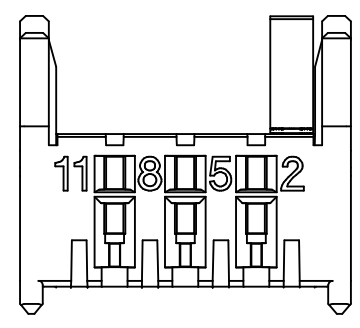
This document was generated on 05/15/2010

**PLEASE CHECK [WWW.MOLEX.COM](http://WWW.MOLEX.COM) FOR LATEST PART INFORMATION**

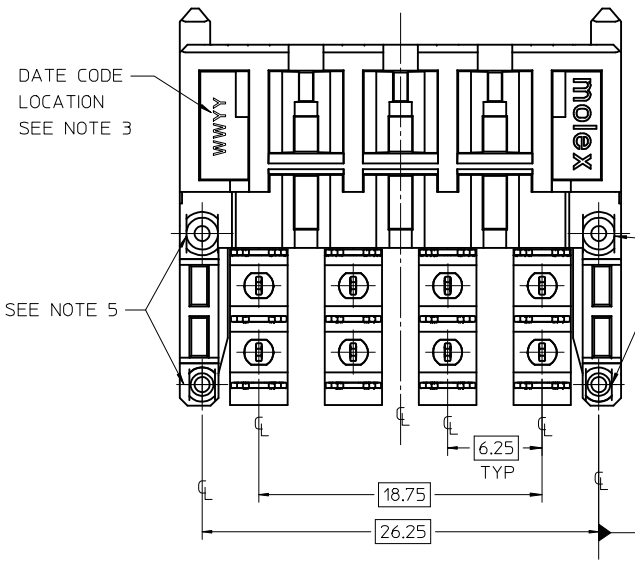
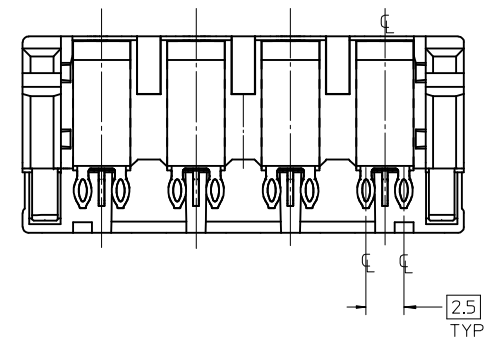
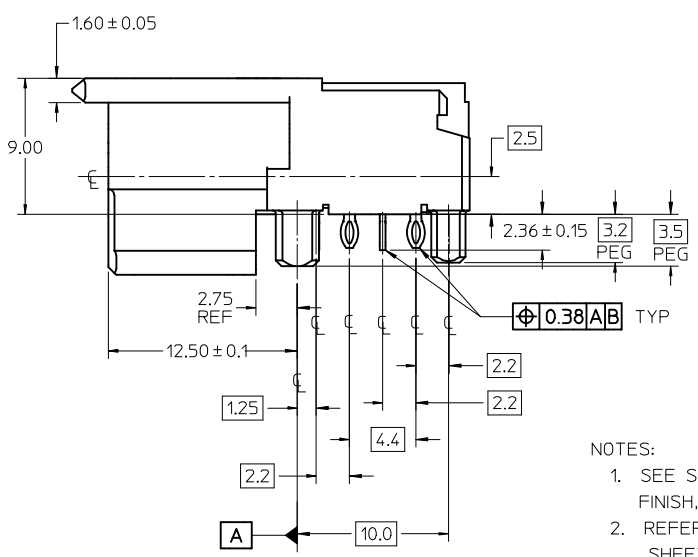
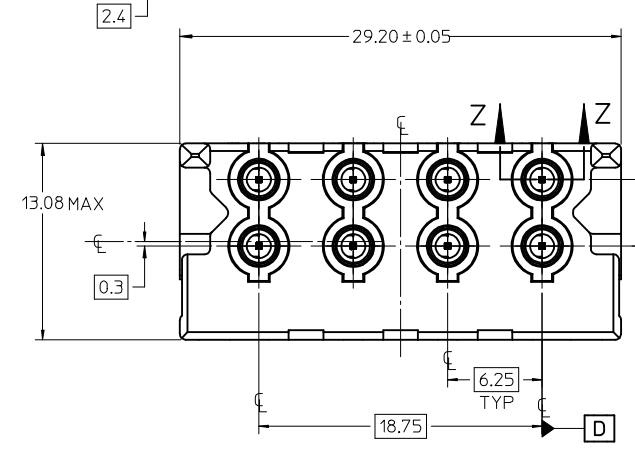
74642	
MATERIAL NO.	TERMINAL LOADING BY POSITION
74642-0001	2, 5, 8, 11
74642-0002	2



SECTION Z Z  
SCALE 6:1



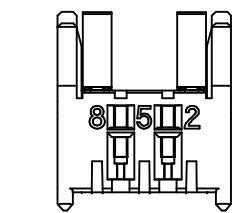
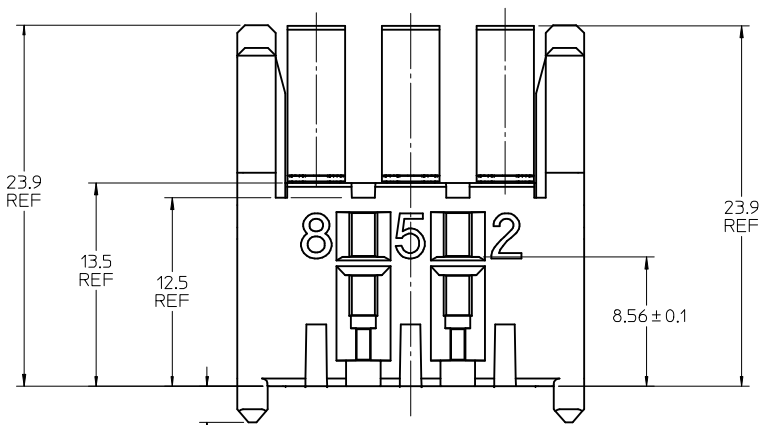
4 TERMINAL BAY ASSEMBLY  
POSITION 2 LOADED ONLY  
MATERIAL NO. 74642-0002



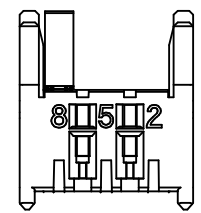
4 TERMINAL BAY ASSEMBLY  
POSITION 2,5,8,11 SHOWN  
MATERIAL NO. 74642-0001

- NOTES:
- SEE SHEET 4 FOR ALL NOTES PERTAINING TO MATERIAL, FINISH, PRODUCT SPECIFICATIONS AND PACKAGING.
  - REFER TO SHEET 2 FOR THE 3 TERMINAL BAY ASSEMBLY, SHEET 3 FOR THE 5 TERMINAL BAY ASSEMBLY AND SHEET 4 THEIR RELATED MATERIAL NUMBERS
  - DATE CODE TO BE LASER MARKED ON BOTTOM OF ASSEMBLY IN THE RECESSED POCKET LOCATION SHOWN.

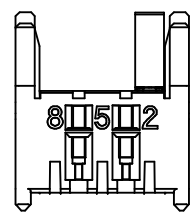
REVISED EC NO: UCP2009-0995 DRWN: JMENDOZA 2008/10/21 CHKD: 2008/10/21 APPR: JBINGHAM 2008/10/21	QUALITY SYMBOLS	GENERAL TOLERANCES (UNLESS SPECIFIED)		SCALE 4:1	DESIGN UNITS METRIC	THIRD ANGLE PROJECTION	REVISE ON CAD ONLY
	▽ -0	mm	INCH	DIMENSION STYLE MM ONLY		TITLE	
	∇ c -0	4 PLACES ± ---	± ---	DRAWN BY DATE		SALES DRAWING FOR R/A GANGED RF CONNECTOR ASSEMBLIES	
		3 PLACES ± ---	± ---	J. LONG 01-02-08		MOLEX INCORPORATED	
	2 PLACES ± 0.13	± ---	CHECKED BY DATE		MATERIAL NO. DOCUMENT NO. SHEET NO.		
	1 PLACE ± 0.25	± ---	J. LONG 01-02-08		SEE CHART SD-74642-001 1 OF 4		
	ANGULAR ± 2 °		APPROVED BY DATE		THIS DRAWING CONTAINS INFORMATION THAT IS PROPRIETARY TO MOLEX INCORPORATED AND SHOULD NOT BE USED WITHOUT WRITTEN PERMISSION		
	DRAFT WHERE APPLICABLE MUST REMAIN WITHIN DIMENSIONS		REGNIER 01-03-20				
J2	REV						



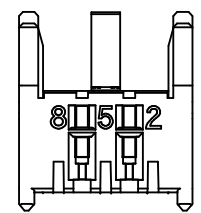
3 TERMINAL BAY ASSEMBLY  
POSITIONS 2 & 8 LOADED  
MATERIAL NO. 74642-1002



3 TERMINAL BAY ASSEMBLY  
POSITION 8 LOADED  
MATERIAL NO. 74642-1004

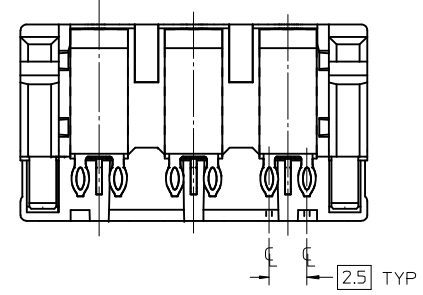
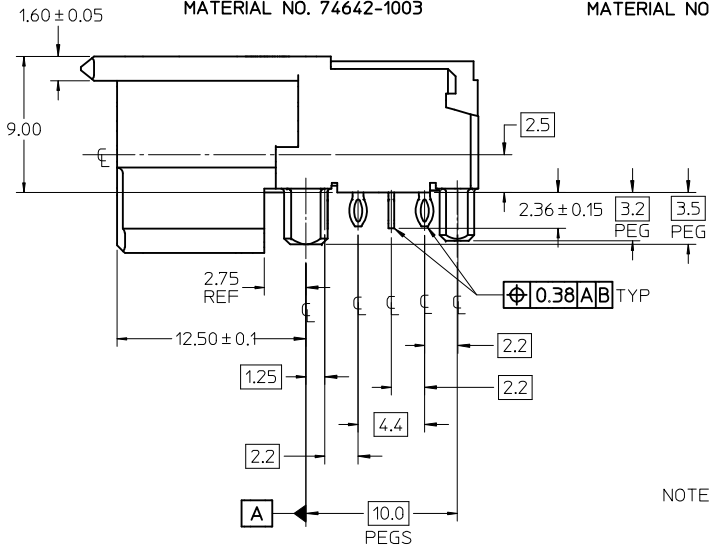
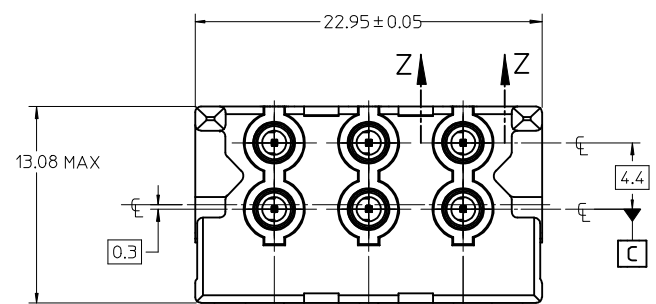


3 TERMINAL BAY ASSEMBLY  
POSITION 2 LOADED  
MATERIAL NO. 74642-1003

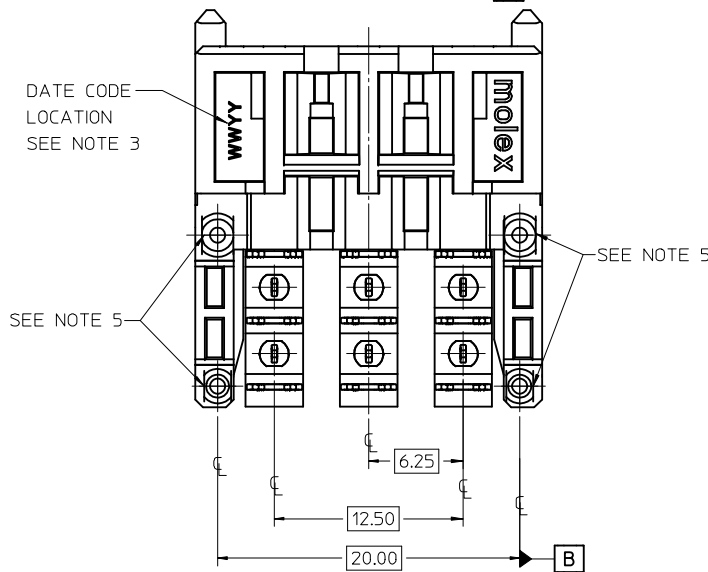


3 TERMINAL BAY ASSEMBLY  
POSITION 5 LOADED  
MATERIAL NO. 74642-1005

74642	
MATERIAL NO.	TERMINAL LOADING BY POSITION
74642-1001	2, 5, 8
74642-1002	2, 8
74642-1003	2
74642-1004	8
74642-1005	5



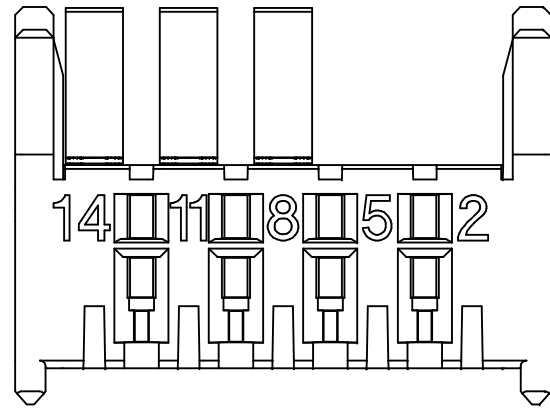
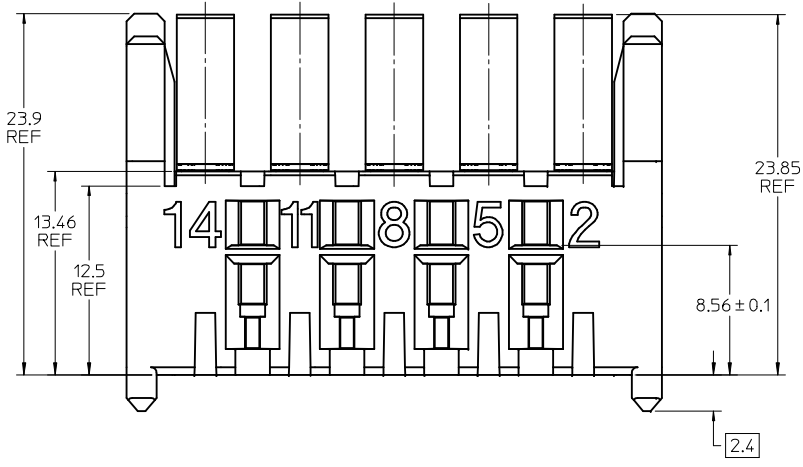
3 TERMINAL BAY ASSEMBLY  
POSITION 2,5,8 SHOWN  
MATERIAL NO. 74642-1001



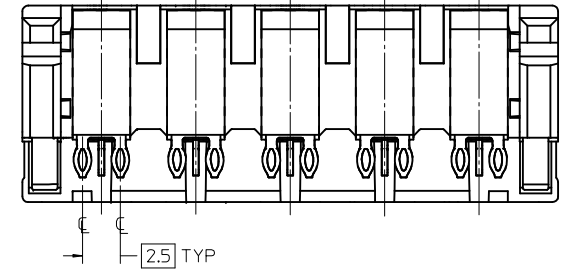
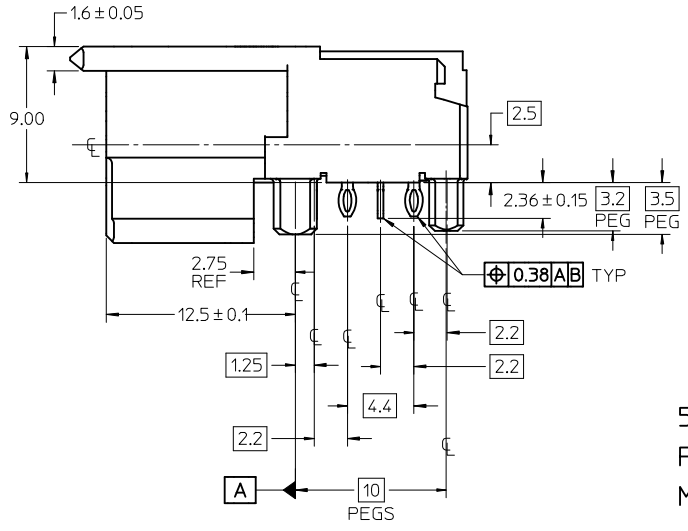
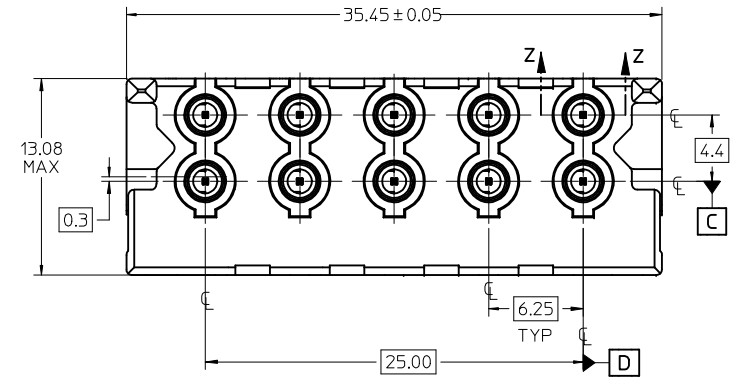
NOTE: REFER TO SHEET 1 FOR ALL DIMENSIONS,  
SECTION VIEW AND NOTES NOT SHOWN.

SEE SHEET 1 EC NO: UCP2009-0995 DRWN: JMENDOZA 2008/10/21 CHKD: 2008/10/21 APPR: BINGHAM 2008/10/21	QUALITY SYMBOLS	GENERAL TOLERANCES (UNLESS SPECIFIED)	SCALE 4:1	DESIGN UNITS METRIC	THIRD ANGLE PROJECTION	REVISE ON CAD ONLY															
	▼ -0 ∇ -0	<table border="1"> <thead> <tr> <th></th> <th>mm</th> <th>INCH</th> </tr> </thead> <tbody> <tr> <td>4 PLACES</td> <td>± ---</td> <td>± ---</td> </tr> <tr> <td>3 PLACES</td> <td>± ---</td> <td>± ---</td> </tr> <tr> <td>2 PLACES</td> <td>± 0.13</td> <td>± ---</td> </tr> <tr> <td>1 PLACE</td> <td>± 0.25</td> <td>± ---</td> </tr> </tbody> </table>		mm	INCH	4 PLACES	± ---	± ---	3 PLACES	± ---	± ---	2 PLACES	± 0.13	± ---	1 PLACE	± 0.25	± ---	DIMENSION STYLE MM ONLY		TITLE	
				mm	INCH																
	4 PLACES	± ---	± ---																		
3 PLACES	± ---	± ---																			
2 PLACES	± 0.13	± ---																			
1 PLACE	± 0.25	± ---																			
DRAFT WHERE APPLICABLE		APPROVED BY DATE REGNIER 01-03-20		MOLEX INCORPORATED MATERIAL NO. SEE CHART DOCUMENT NO. SD-74642-001 SHEET NO. 2 OF 4																	
MUST REMAIN WITHIN DIMENSIONS		THIS DRAWING CONTAINS INFORMATION THAT IS PROPRIETARY TO MOLEX INCORPORATED AND SHOULD NOT BE USED WITHOUT WRITTEN PERMISSION																			

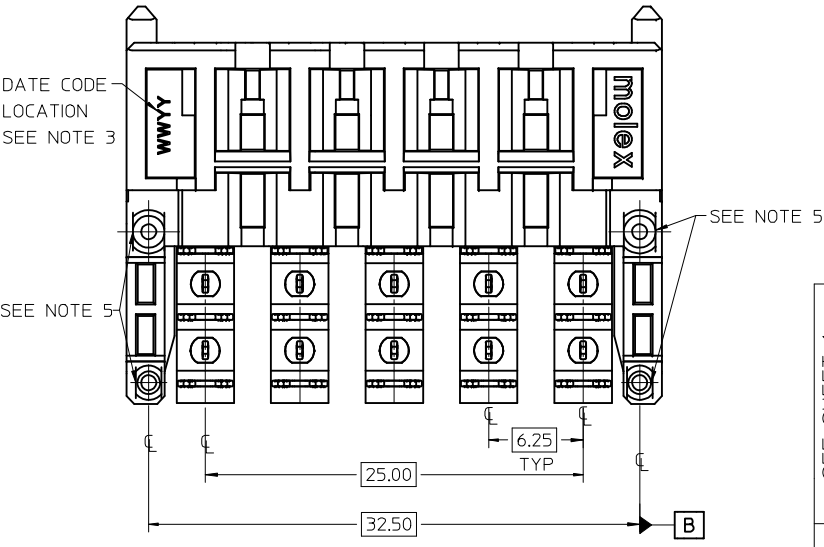
MATERIAL NO.	74642
TERMINAL LOADING BY POSITION	
74642-2001	2, 5, 8, 11, 14
74642-2002	8, 11, 14



5 TERMINAL BAY ASSEMBLY  
POSITION 8,11,14 SHOWN  
MATERIAL NO. 74642-2002



5 TERMINAL BAY ASSEMBLY  
POSITION 2,5,8,11,14 SHOWN  
MATERIAL NO. 74642-2001



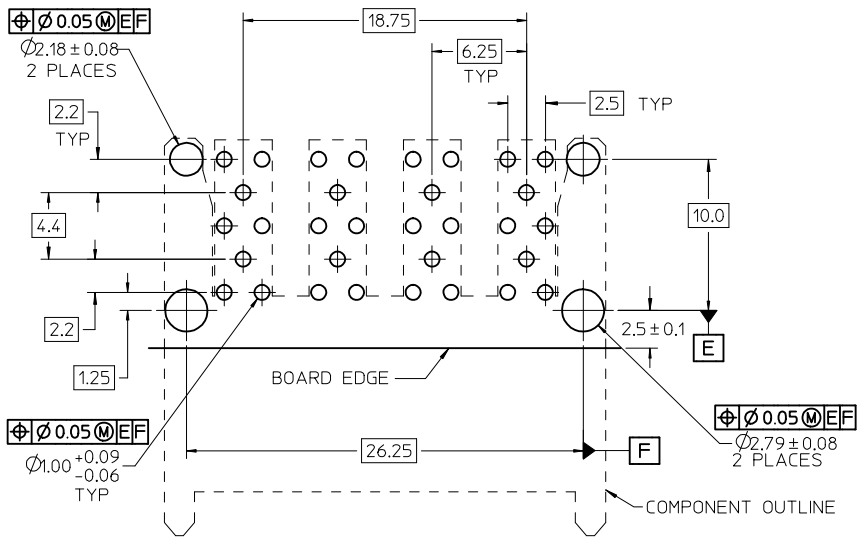
NOTE: REFER TO SHEET 1 FOR ALL DIMENSIONS,  
SECTION VIEW AND NOTES NOT SHOWN.

DATE CODE  
LOCATION  
SEE NOTE 3

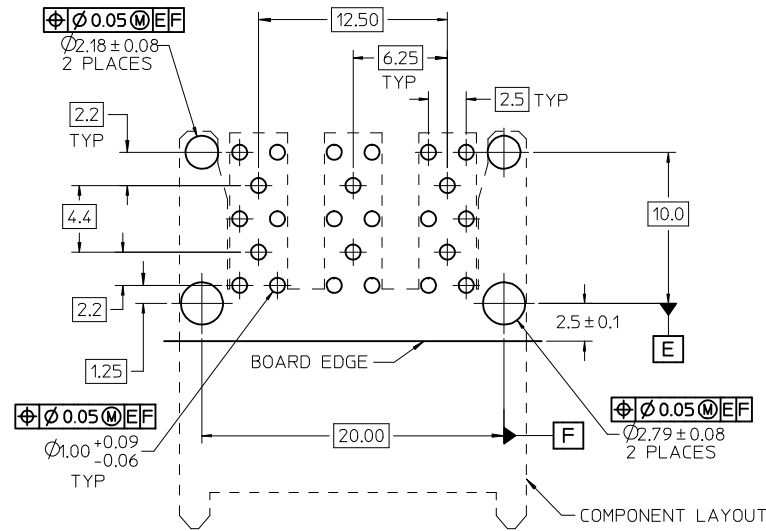
SEE NOTE 5

SEE NOTE 5

SEE SHEET 1 EC NO: UCP2009-0995 DRWN: J.MENDOZA 2008/10/21 CHKD: 2008/10/21 APPR: J.BINGHAM 2008/10/21	QUALITY SYMBOLS	GENERAL TOLERANCES (UNLESS SPECIFIED)	SCALE 4:1	DESIGN UNITS METRIC	THIRD ANGLE PROJECTION	REVISE ON CAD ONLY															
	▽ - 0 ∇ - 0	<table border="1"> <thead> <tr> <th></th> <th>mm</th> <th>INCH</th> </tr> </thead> <tbody> <tr> <td>4 PLACES</td> <td>± ---</td> <td>± ---</td> </tr> <tr> <td>3 PLACES</td> <td>± ---</td> <td>± ---</td> </tr> <tr> <td>2 PLACES</td> <td>± 0.13</td> <td>± ---</td> </tr> <tr> <td>1 PLACE</td> <td>± 0.25</td> <td>± ---</td> </tr> </tbody> </table> ANGULAR ± 2 °		mm	INCH	4 PLACES	± ---	± ---	3 PLACES	± ---	± ---	2 PLACES	± 0.13	± ---	1 PLACE	± 0.25	± ---	DIMENSION STYLE MM ONLY	DATE DRAWN BY J. LONG 01-02-08 DATE CHECKED BY J. LONG 01-02-08	TITLE SALES DRAWING FOR R/A GANGED RF CONNECTOR ASSEMBLIES	
		mm	INCH																		
	4 PLACES	± ---	± ---																		
3 PLACES	± ---	± ---																			
2 PLACES	± 0.13	± ---																			
1 PLACE	± 0.25	± ---																			
DRAFT WHERE APPLICABLE MUST REMAIN WITHIN DIMENSIONS	APPROVED BY REGNIER 01-03-20	DATE 01-03-20	MATERIAL NO. SEE CHART	DOCUMENT NO. SD-74642-001	SHEET NO. 3 OF 4																
J2	REV	THIS DRAWING CONTAINS INFORMATION THAT IS PROPRIETARY TO MOLEX INCORPORATED AND SHOULD NOT BE USED WITHOUT WRITTEN PERMISSION																			



RECOMMENDED PC BOARD LAYOUT  
FOR THE 4 TERMINAL BAY ASSEMBLY  
COMPONENT SIDE OF BOARD  
MINIMUM BOARD THICKNESS IS 2.36MM



RECOMMENDED PC BOARD LAYOUT  
FOR THE 3 TERMINAL BAY ASSEMBLY  
COMPONENT SIDE OF BOARD  
MINIMUM BOARD THICKNESS IS 2.36MM

NOTES:

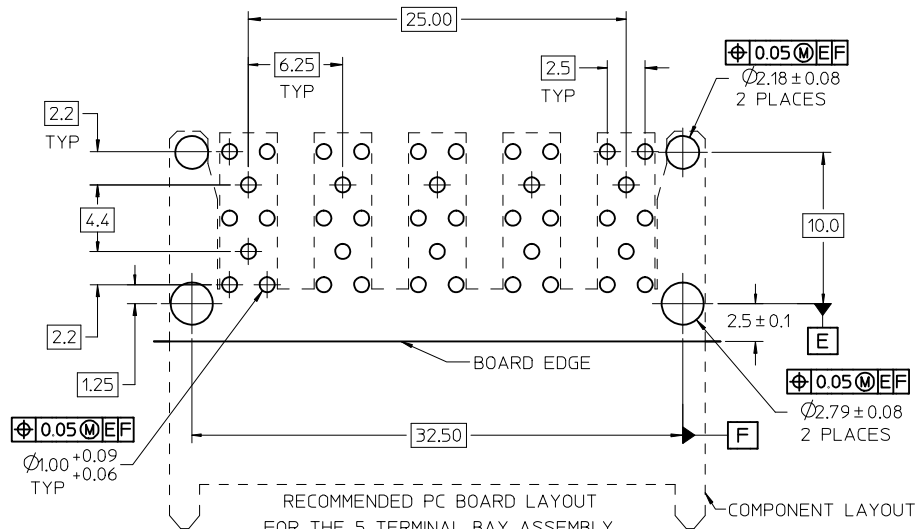
1. MATERIAL:

R/A HSG: GLASS FILLED LIQUID CRYSTAL POLYMER, COLOR: NATURAL  
OVERMOLDED TERMINAL ASSEMBLY: GLASS FILLED HIGH TEMP PLASTIC  
INSERT MOLDED TERMINAL: GLASS FILLED LIQUID CRYSTAL POLYMER, COLOR NATURAL  
(ALL ABOVE HOUSINGS ARE UL 94V-0)  
SLEEVE: BRASS  
TERMINALS AND GROUNDS: TIN BRASS  
DIE-CAST SHELLS: ZINC

2. FINISH:

TERMINALS:  
SELECTIVE 0.76 MICRONS MIN. GOLD (Au) IN CONTACT AREA  
SELECTIVE 0.88 MICRONS MIN. TIN (Sn) ALLOY IN THE PC TAIL AREA  
BOTH OVER 1.27 MICRONS MIN. NICKEL (Ni) UNDERPLATE.  
GROUNDS:  
0.88 MICRONS MIN. TIN (Sn) ALLOY OVERALL  
OVER 1.27 MICRONS MIN. NICKEL (Ni) UNDERPLATE.  
DIE-CAST SHIELDS:  
3.05 MICRONS MIN. BRIGHT TIN (Sn) ALLOY OVER  
1.27 MICRONS MIN. NICKEL (Ni) ALLOY OVER:  
BOTH OVER 8.13 MICRONS MIN. COPPER (Cu) UNDERPLATE.

- REFER TO PS-74854-001 PRODUCT SPEC FOR ALL ELECTRICAL, MECHANICAL AND ENVIRONMENTAL SPECIFICATIONS.
- REFER TO PK-74642-001 FOR ALL PACKAGING SPECIFICATIONS.
- THESE PARTS CONFORM TO MOLEX COSMETIC SPECIFICATION PS-45499-002 CLASS B, EXCEPT ON THE PLASTIC PEGS, CLASS C



RECOMMENDED PC BOARD LAYOUT  
FOR THE 5 TERMINAL BAY ASSEMBLY  
COMPONENT SIDE OF BOARD  
MINIMUM BOARD THICKNESS IS 2.36MM

ADD NOTE 5 EC NO: JCP2009-0995 DRWN: JMENDOZA 2008/10/21 CHKD: 2008/10/21 APPR: JBINGHAM 2008/10/21	QUALITY SYMBOLS	GENERAL TOLERANCES (UNLESS SPECIFIED)	SCALE 4:1	DESIGN UNITS METRIC	THIRD ANGLE PROJECTION	REVISE ON CAD ONLY
	▼ -0 ∇ ±0		mm INCH	DIMENSION STYLE MM ONLY		<b>SALES DRAWING</b> <b>FOR R/A GANGED RF</b> <b>CONNECTOR ASSEMBLIES</b> <b>MOLEX INCORPORATED</b>
		4 PLACES	± --- ± ---	DRAWN BY DATE		
		3 PLACES	± --- ± ---	J. LONG 01-02-08	CHECKED BY DATE	
		2 PLACES	± 0.13 ± ---	J. LONG 01-02-08	APPROVED BY DATE	
1 PLACE	± 0.25 ± ---	REGNIER 01-03-20		MATERIAL NO. SEE CHARTS SD-74642-001	DOCUMENT NO. 4 OF 4	
		ANGULAR ± 2 °	DRAFT WHERE APPLICABLE MUST REMAIN WITHIN DIMENSIONS		THIS DRAWING CONTAINS INFORMATION THAT IS PROPRIETARY TO MOLEX INCORPORATED AND SHOULD NOT BE USED WITHOUT WRITTEN PERMISSION	