

**PLEASE CHECK WWW.MOLEX.COM FOR LATEST PART INFORMATION**

**Part Number:** [0989821021](#)  
**Status:** **Active**  
**Overview:** [mox crimp terminals](#)  
**Description:** 2.54mm (.100") Pitch MOX Receptacle Kit, 4 Rows, 40 Circuits, Black

**Documents:**

[Drawing \(PDF\)](#) [RoHS Certificate of Compliance \(PDF\)](#)

**General**

Product Family [Crimp Housings](#)  
 Series [98982](#)  
 Overview [mox crimp terminals](#)  
 Product Name [MOX](#)

**Physical**

Circuits (maximum) 40  
 Color - Resin Black  
 Gender Receptacle  
 Glow-Wire Compliant No  
 Keying to Mating Part None  
 Lock to Mating Part Yes  
 Material - Resin Polyester  
 Number of Rows 4  
 Packaging Type Bag  
 Panel Mount No  
 Pitch - Mating Interface (in) 0.100 In  
 Pitch - Mating Interface (mm) 2.54 mm  
 Pitch - Term. Interface (in) 0.100 In  
 Pitch - Term. Interface (mm) 2.54 mm  
 Polarized to Mating Part Yes  
 Ports 1  
 Stackable No  
 Temperature Range - Operating -40°C to +125°C

**Electrical**

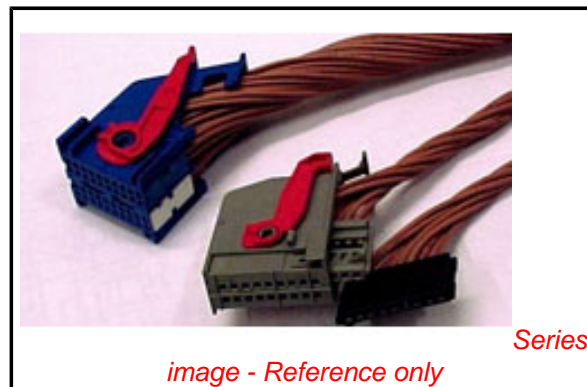
Current - Maximum per Contact 6A

**Material Info**

Old Part Number 52591EV40M1

**Reference - Drawing Numbers**

Application Specification AS-98982-001  
 Packaging Specification PK-98982-001  
 Sales Drawing SD-98982-002



**EU RoHS**

**ELV and RoHS  
Compliant**  
**REACH SVHC**  
 Not Reviewed  
**Halogen-Free  
Status**  
**Not Reviewed**

**China RoHS**



**Need more information on product  
environmental compliance?**

Email [productcompliance@molex.com](mailto:productcompliance@molex.com)  
 For a multiple part number RoHS Certificate of  
 Compliance, [click here](#)

Please visit the [Contact Us](#) section for any  
 non-product compliance questions.

**Search Parts in this Series**

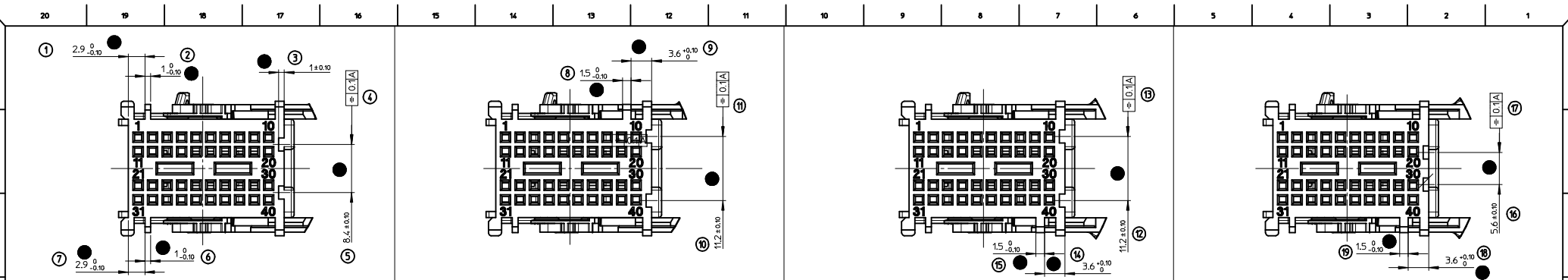
[98982Series](#)

**Mates With**

Contact Molex

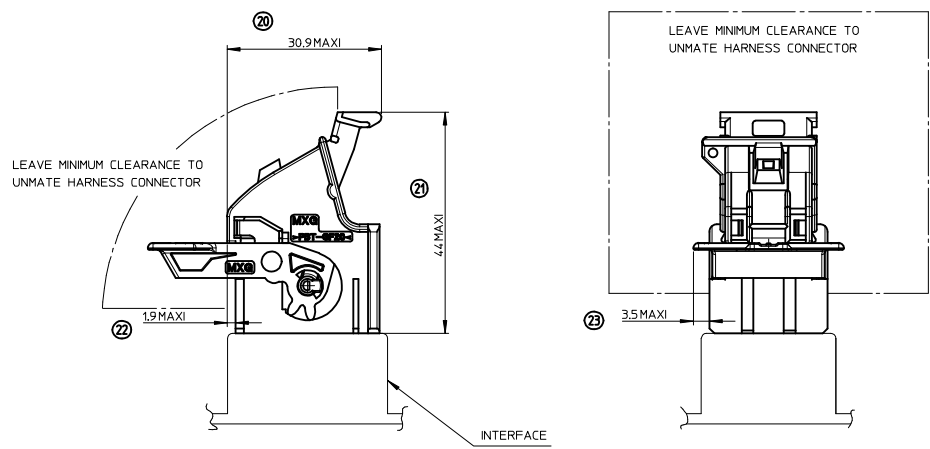
**Use With**

[98658](#) MOX Crimp Terminal

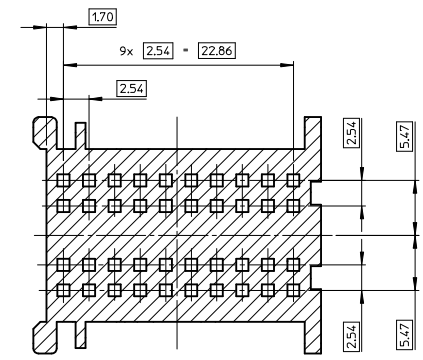


MOLEX P/N 0989821021 BLACK MOLEX P/N 0989821028 GREY MOLEX P/N 0989821020 WHITE MOLEX P/N 0989821026 BLUE

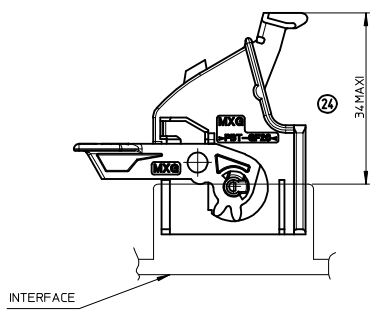
CLEARANCE FOR CONNECTOR MATE AND UNMATE 2:1



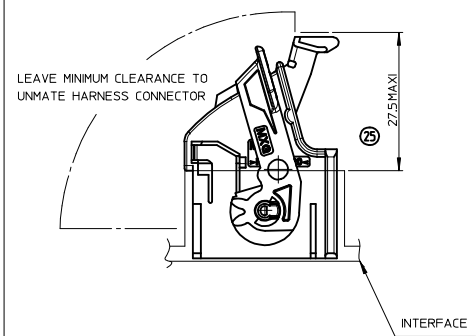
CAVITY LOCATION 4:1



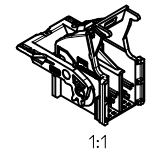
TRAVEL TO ELECTRIC CONTACT 2:1



CONNECTOR FULLY MATED 2:1

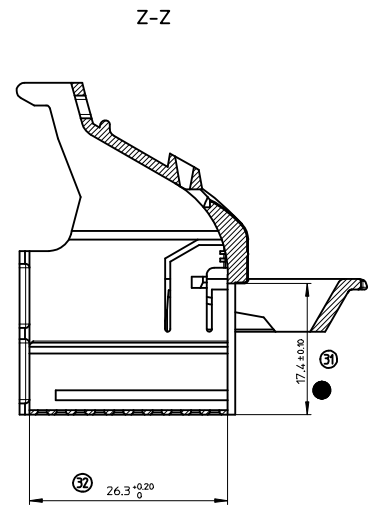
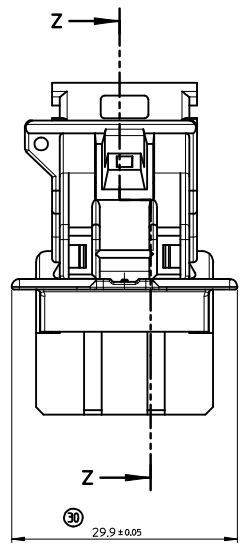
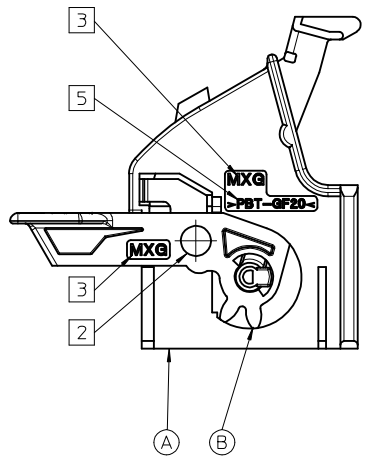
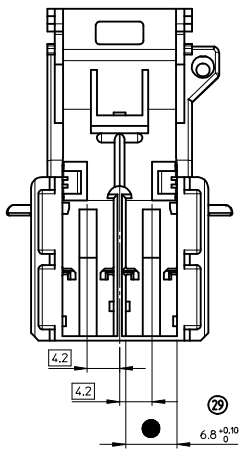
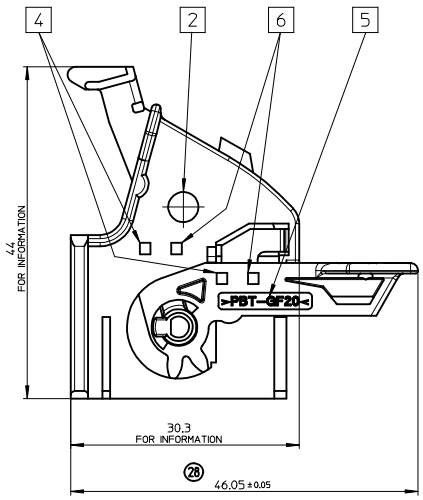
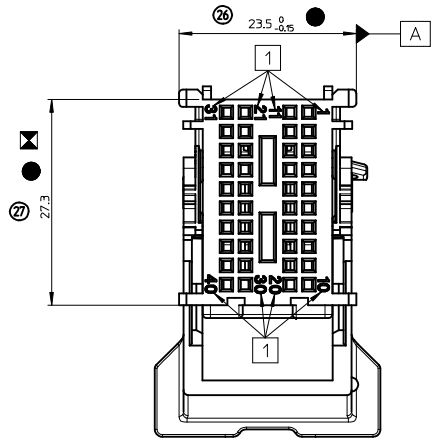


☒	INDICATION DIMENSIONS S.P.C DENOTES 'S.P.C DIMENSIONS'	
●	INDICATION DIMENSIONS CRITIQUES DENOTES CRITICAL DIMENSIONS	
●	INDICATION DIMENSIONS FONCTIONNELLES DENOTES FUNCTIONAL DIMENSIONS	
☒	QUANTITE PAR FEUILLE INDIVIDUELLE QUANTITY PER INDIVIDUAL SHEET	
☒ 0	☒ 0	● 15



<b>FIRST RELEASE</b> EC NO: GZ008-0096 DRAWN: POUCHAUD 2007/10/15 CHECKED: YIGEL 2007/10/15 APPR: LSTICKEIR 2007/10/15	<b>QUALITY SYMBOLS</b> ▽=0 ▽=0	<b>GENERAL TOLERANCES (UNLESS SPECIFIED)</b>		<b>DIMENSION STYLE</b> MM ONLY	<b>SCALE</b> 3:1	<b>DESIGN UNITS</b> METRIC	THIRD ANGLE PROJECTION	
		mm	INCH	<b>DRAWN BY</b> POUCHAUD	<b>DATE</b> 2007/09/05	<b>TITLE</b> MOX MOUNT HSG RCPT CONN 40CKT		
		4 PLACES ± --- ± ---		<b>CHECKED BY</b> YIGEL	<b>DATE</b> 2007/09/05	<b>MOLEX INCORPORATED</b>		
		3 PLACES ± --- ± ---		<b>APPROVED BY</b> LSTICKEIR	<b>DATE</b> 2007/09/10	<b>DOCUMENT NO.</b> SD-98982-002	<b>SHEET NO.</b> 1 OF 2	
DRAFT WHERE APPLICABLE MUST REMAIN WITHIN DIMENSIONS		<b>SEE CHART</b>		THIS DRAWING CONTAINS INFORMATION THAT IS PROPRIETARY TO MOLEX INCORPORATED AND SHOULD NOT BE USED WITHOUT WRITTEN PERMISSION				

⊠	INDICATION DIMENSIONS S.P.C DENOTES S.P.C DIMENSIONS
⊗	INDICATION DIMENSIONS CRITIQUES DENOTES CRITICAL DIMENSIONS
●	INDICATION DIMENSIONS FONCTIONNELLES DENOTES FUNCTIONAL DIMENSIONS
QUANTITE PAR FEUILLE INDIVIDUELLE QUANTITY PER INDIVIDUAL SHEET	
⊠ 1	⊗ 0
● 4	



MARKINGS	NOTES :
1 - CAVITY NUMBER	- FOR ILLUSTRATION PURPOSE, THE MOX HOUSING SHOWN IS THE BLACK CODING P/N 0989821021. FOR OTHER COLOR VERSION, SEE CODING CHART.
2 - DATUM MONTH/YEAR	- PRODUCT QUALIFIED ACCORDING TO PSA NORM: 9629764699A.
3 - MOLEX MARK	- APPLICATION SPECIFICATION: RAS-98982-001.
4 - IMPRESSION MARK	- INTERFACE DRAWING IS THE PROPERTY FROM PSA: 9633297199
5 - RAW MATERIAL	- IN THE MOX HOUSING RECEPTACLE CONNECTOR, MOUNT JUST MOLEX MODULE 0989821010 AND 0989821016.
6 - REVISION LEVEL	

FIRST RELEASE EC NO: GZ008-0096 DRAWN: POUCHAUD 2007/10/15 CHKD: YIGEL 2007/10/15 APPROVAL: LESTICKEIR 2007/10/15	B	1	Piece	MOX Rcpt Conn Lever Bk 40CKT	0989820031	BLACK	>PBT-GF20<	1.891 g
	A	1	Piece	MOX Mounting HSG Rcpt Bk 40CKT	0989820021	BLACK	>PBT-GF20<	6.087 g
QUALITY SYMBOLS	GENERAL TOLERANCES (UNLESS SPECIFIED)		DIMENSION STYLE		SCALE	DESIGN UNITS	THIRD ANGLE PROJECTION	
▽=0	mm INCH		MM ONLY		3:1	METRIC	MOLEX INCORPORATED	
▽=0	4 PLACES ± --- ± ---	DRAWN BY DATE		TITLE		MOX MOUNT HSG RCPT CONN 40CKT		
	3 PLACES ± --- ± ---	LPOUCHAUD 2007/09/05		CHECKED BY DATE		MOLEX INCORPORATED		
	2 PLACES ± 0.05 ± ---	YIGEL 2007/09/05		APPROVED BY DATE		DOCUMENT NO. SD-98982-002		
	1 PLACE ± 0.10 ± ---	LSTICKEIR 2007/09/10		MATERIAL NO.		SHEET NO. 2 OF 2		
DRAFT WHERE APPLICABLE MUST REMAIN WITHIN DIMENSIONS		SEE CHART		THIS DRAWING CONTAINS INFORMATION THAT IS PROPRIETARY TO MOLEX INCORPORATED AND SHOULD NOT BE USED WITHOUT WRITTEN PERMISSION				