

PLEASE CHECK WWW.MOLEX.COM FOR LATEST PART INFORMATION

Part Number: [5009891000](#)
Status: **Active**
Description: 3.30mm (.130") Pitch Crimp Terminal, Female, 22-26 AWG, Reel

Documents:

[Drawing \(PDF\)](#) [Product Specification PS-51347-002 \(PDF\)](#)
[Product Specification PS-51284-003 \(PDF\)](#) [RoHS Certificate of Compliance \(PDF\)](#)

General

Product Family Crimp Terminals
 Series [500989](#)
 Crimp Quality Equipment Yes
 Product Name N/A

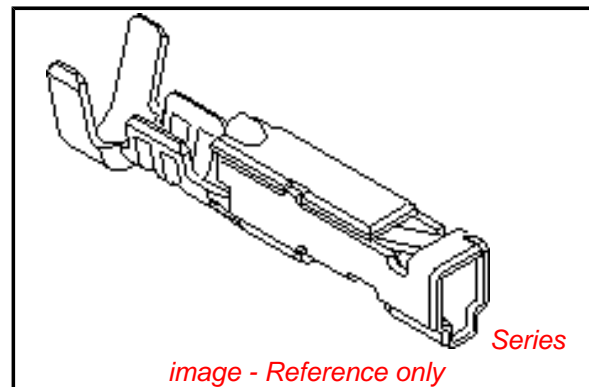
Physical

Gender Female
 Material - Metal Copper Alloy
 Material - Plating Mating Tin
 Material - Plating Termination Tin
 Packaging Type Reel
 Termination Interface: Style Crimp or Compression
 Wire Insulation Diameter 1.25-1.70mm (.049-.067")
 Wire Size AWG 22, 24, 26
 Wire Size mm² N/A

Material Info

Reference - Drawing Numbers

Product Specification PS-51284-003, PS-51347-002, RPS-501328-002,
 RPS-51284-012, RPS-51284-013
 Sales Drawing SD-500989-002



EU RoHS

**ELV and RoHS
 Compliant**
**REACH SVHC
 Contains SVHC: No**
**Halogen-Free
 Status**

China RoHS



**Need more information on product
 environmental compliance?**

Email productcompliance@molex.com
 For a multiple part number RoHS Certificate of
 Compliance, [click here](#)

Please visit the [Contact Us](#) section for any
 non-product compliance questions.

Search Parts in this Series

[500989Series](#)

Mates With

[501329](#) Crimp Housing . [56279](#) Crimp
 Terminal

Use With

[501328](#) Inertia Lock Crimp Housing . [51284](#)
 Crimp Housing . [51347](#) Crimp Housing

10

9

8

7

6

5

4

3

2

1

F

E

D

C

B

A

F

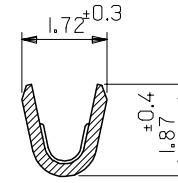
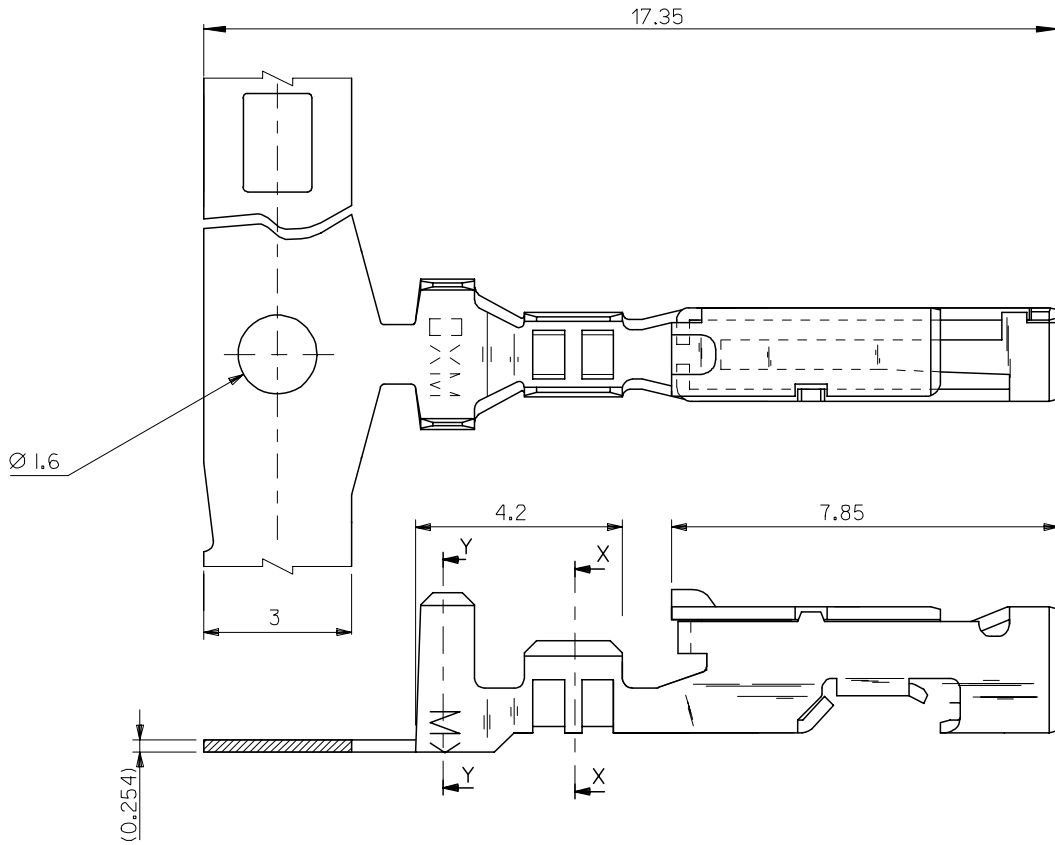
E

D

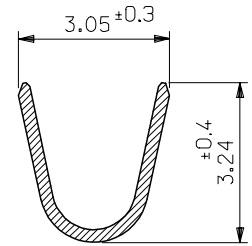
C

B

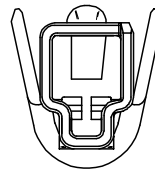
A



SECTION X-X



SECTION Y-Y



NOTES

- 1. 使用材料 : 銅合金、錫メッキ
MATERIAL :PRE-TINNED COPPER ALLOY
- 2. 適合ハウジング :501328-****
APPLICABLE HS'G 51347-****
51284-****
- 3. 適用電線サイズ AWG#22-26
心線外径 : 0.34-0.136
被覆外径 : φ1.25-φ1.7

500989-1*00	500989-1100	バラ状 LOOSE
	500989-1000	連鎖状 CHAIN
MODEL NO.	MATERIAL NO.	FORM

RELEASED EC NO: J2005-2177 DRWN: TODA 2005/03/31 CHKD: ASAKAWA 2005/03/31 APPR: SICHIKAWA 2005/03/31	GENERAL TOLERANCES (UNLESS SPECIFIED)		DIMENSION STYLE MM ONLY		SCALE 10:1	DESIGN UNITS METRIC	THIRD ANGLE PROJECTION	
	10 UNDER	±0.2	DRAWN BY T. ODA	DATE '05/02/07	TITLE 3.3 W/W,W/B CONN. REC. TERMINAL			
	10 OVER 30 UNDER	±0.25	CHECKED BY K. ASAKAWA	DATE '05/02/07				
	30 OVER	±0.3	APPROVED BY S. ISHIKAWA	DATE '05/02/07	MOLEX INCORPORATED			
	ANGULAR	±3 °	MATERIAL NO.	DOCUMENT NO. SD-500989-002				
DRAFT WHERE APPLICABLE MUST REMAIN WITHIN DIMENSIONS		SIZE A3		THIS DRAWING CONTAINS INFORMATION THAT IS PROPRIETARY TO MOLEX INCORPORATED AND SHOULD NOT BE USED WITHOUT WRITTEN PERMISSION				