

Pb **RoHS Compliant** **HSF**
 Process Capable 2002/95/EC

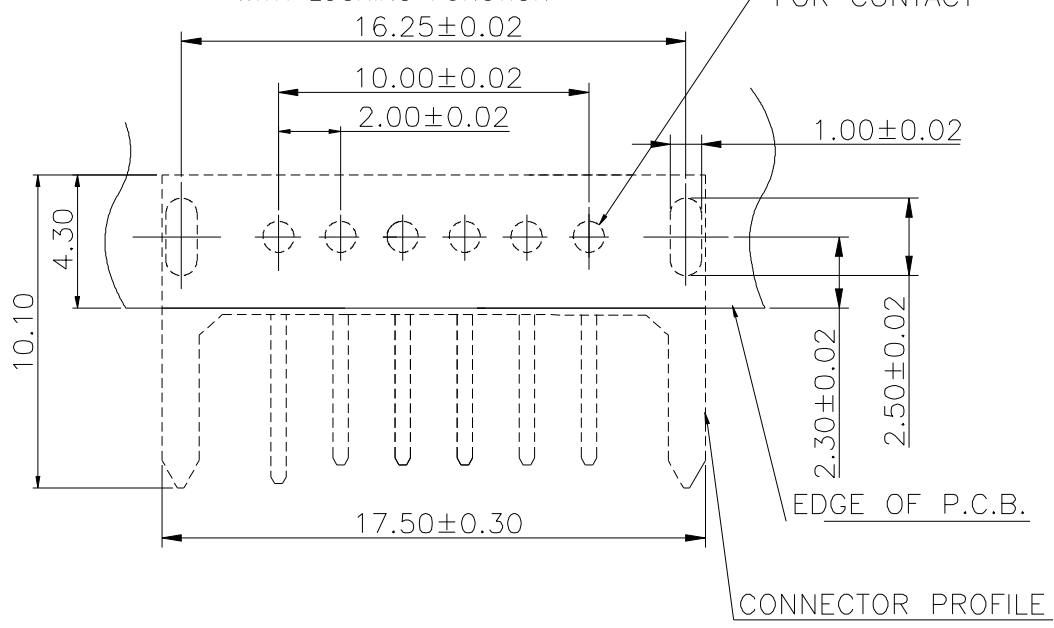
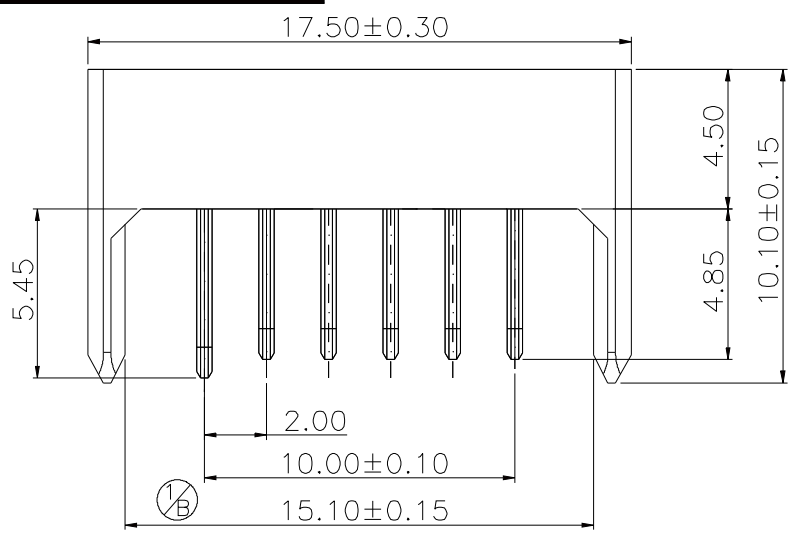
Level-1 Controlled Substances are banned



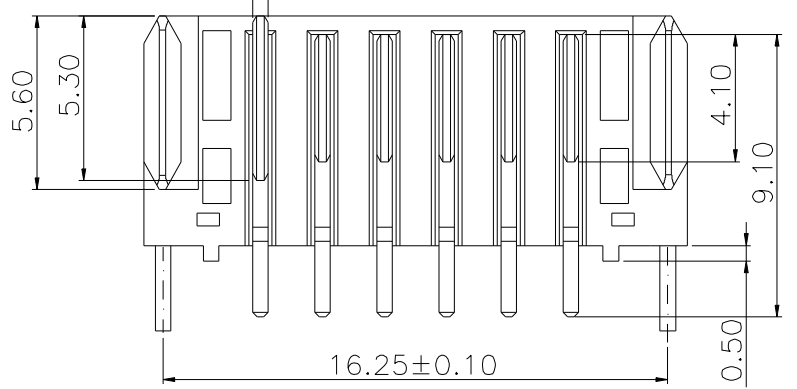
RECOMMENDED P.C.B LAYOUT (COMPONENT SIDE)

P.C.B THICKNESS=1.20mm
 WITH LOCKING FUNCTION

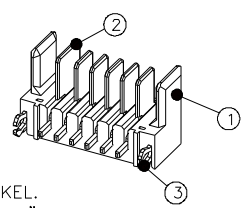
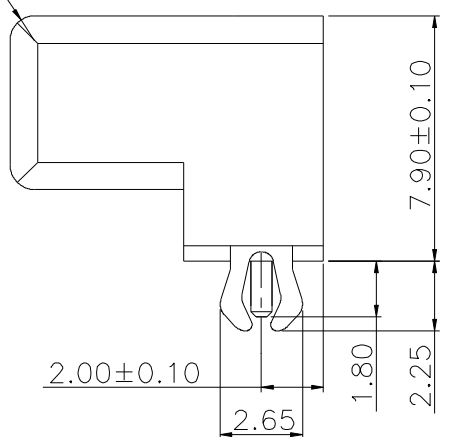
Ø1.00±0.02
 FOR CONTACT



0.50±0.02



R0.80



NOTE(1):
 200275MR006GX97ZL
 1.PLATING
 G1 -5u" GOLD OVER NICKEL.
 G2 -GOLD FLASH OVER 30u" MIN NICKEL.
 G3 -10u" GOLD OVER NICKEL.
 G4 -15u" GOLD OVER NICKEL.
 G5 -30u" GOLD OVER NICKEL.

NO.	DESCRIPTION	MATERIAL	COLOR	REMARK
3	FORK	COPPER ALLOY	—	TIN PLATED
2	TERMINAL	COPPER ALLOY	—	GOLD PLATED
1	PLASTICS	HIGH TEMP PLASTICS	Black	UL94V-0

SUYIN
 CONNECTOR

CUSTOMER COPY	TITLE: 2.00mm PITCH BATTERY CONN.			
PART NO.	200275MR006GX97ZL			
PRODUCT SPEC.	200275MR/20175A			
FILE NAME.	D	200275MR006GX97ZL-C		
SCALE	4:1	UNIT:mm	A4	SHEET: 1 of 2

ECN(DCN) NO.	REV	DATE	DESCRIPTION	CHANGE	APPRO.	GENERAL TOLERANCE UNLESS OTHERWISE NOTED	APPRO.	DATE
EC1BE-071227-06	B	07'/12/27	B1:修改圖面尺寸15.00±0.15改為15.10±0.15.	譚貴學	許俊賢	Angle 30 ~ ±0.50	DRAW	譚貴學 07'/12/27
EC1B-060819-03	A	06'/08/19	A1:變更圖樣及合並業務圖及包裝示意圖	童彥淇	葉銘良	10 ~ 30 ±0.30	DESIGN	譚貴學 07'/12/27
	0	06'/06/12	NEW	楊國輝	葉銘良	~ 10 ±0.15	CHECK	楊國輝 07'/12/27
ECN(DCN) NO.	REV	DATE	DESCRIPTION	CHANGE	APPRO.	GENERAL TOLERANCE UNLESS OTHERWISE NOTED	APPRO.	DATE
							許俊賢	07'/12/27