

PLEASE CHECK WWW.MOLEX.COM FOR LATEST PART INFORMATION

Part Number: [0766933170](#)
Status: **Active**
Overview:
Description: 0.80 mm (.031") Pitch EdgeLine™ 12.5 Gbps Edge Card Connector, 170 Circuits, PCB Mating Thickness 2.36mm (.093"), 1 Bay

Agency Certification

UL E29179

General

Product Family Edge Card Connectors
 Series 76693
 Component Type Edgecard to PCB
 Overview edgeline_high_speed_connectors
 Product Name EdgeLine™

Physical

Circuits (Loaded) 170
 Circuits (maximum) 170
 Circuits Detail All Signal
 Color - Resin Black
 Durability (mating cycles max) 200
 Entry Angle Vertical
 Keying to Mating Part Yes
 Material - Metal Copper Alloy
 Material - Plating Mating Gold
 Material - Plating Termination Tin
 Material - Resin High Temperature Thermoplastic
 PC Tail Length (in) 0.091 In
 PC Tail Length (mm) 2.30 mm
 PCB Locator Yes
 PCB Retention Yes
 PCB Thickness Recommended (in) 0.093 In
 PCB Thickness Recommended (mm) 2.62 mm
 Packaging Type Tray
 Panel Mount No
 Pitch - Mating Interface (in) 0.031 In
 Pitch - Mating Interface (mm) 0.80 mm
 Pitch - Term. Interface (in) 0.031 In
 Pitch - Term. Interface (mm) 0.80 mm
 Plating min: Mating (µin) 30
 Plating min: Mating (µm) 0.76
 Plating min: Termination (µin) 30
 Plating min: Termination (µm) 0.76
 Temperature Range - Operating -40°C to +85°C
 Termination Interface: Style N/A

Electrical

Current - Maximum per Contact 1.5A
 Voltage - Maximum 250V AC

Material Info

Reference - Drawing Numbers

Packaging Specification PK-76693-900
 Product Specification PS-75594-999
 Sales Drawing SD-76693-100

EU RoHS
ELV and RoHS
Compliant
REACH SVHC
Not Reviewed
Halogen-Free
Status
Not Reviewed

China RoHS



Need more information on product environmental compliance?

Email productcompliance@molex.com
 For a multiple part number RoHS Certificate of Compliance, [click here](#)

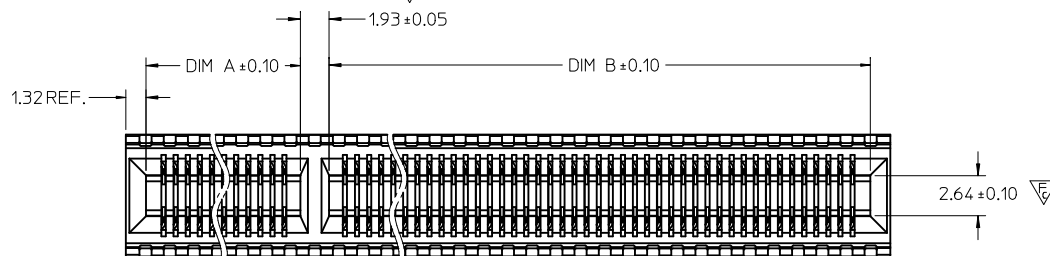
Please visit the [Contact Us](#) section for any non-product compliance questions.

Search Parts in this Series
 76693Series

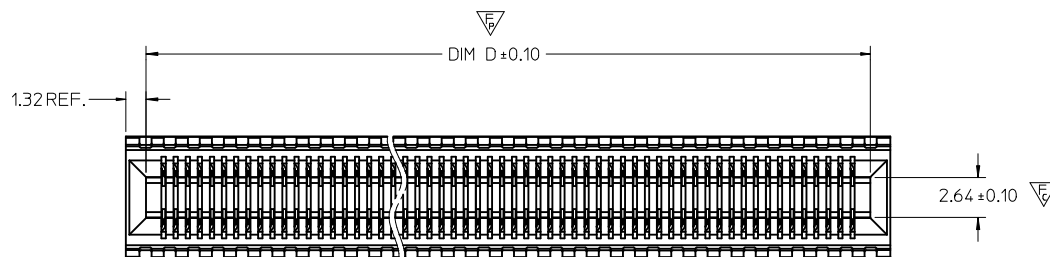
This document was generated on 06/04/2010

PLEASE CHECK WWW.MOLEX.COM FOR LATEST PART INFORMATION

PART NUMBER	VERSION	BAY 1/BAY 2	TOTAL CIRCUITS	DIM A	DIM B	DIM C	DIM D	MAX DIFF. PAIRS	STATUS
76693-2278	2 BAY	132/146	278	54.23	59.83	118.63	-----	92	TOOLED
76693-1200	1 BAY	200	200	-----	-----	84.20	81.55	66	TOOLED
76693-1170	1 BAY	170	170	-----	-----	72.20	69.55	56	TOOLED
76693-2214	2 BAY	20/194	214	9.43	79.03	93.03	-----	70	-----
76693-2274*	2 BAY	172/122	294	70.22	50.23	125.03	-----	96	TOOLED
76693-3170	1 BAY	170	170	-----	-----	72.20	69.55	58	TOOLED
76693-2294	2 BAY	172/122	294	70.22	50.23	125.03	-----	96	TOOLED



2 BAY HSEC

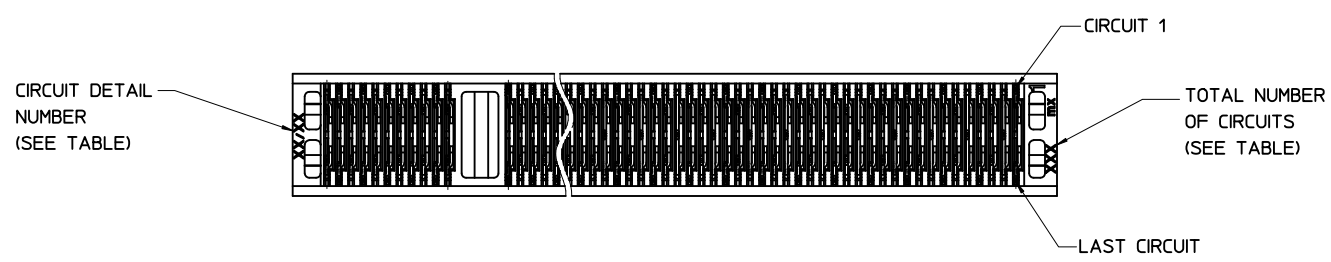
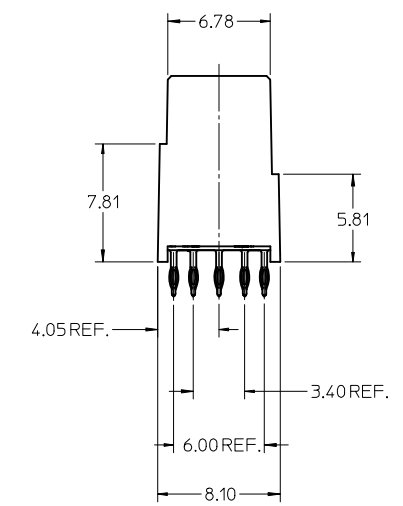
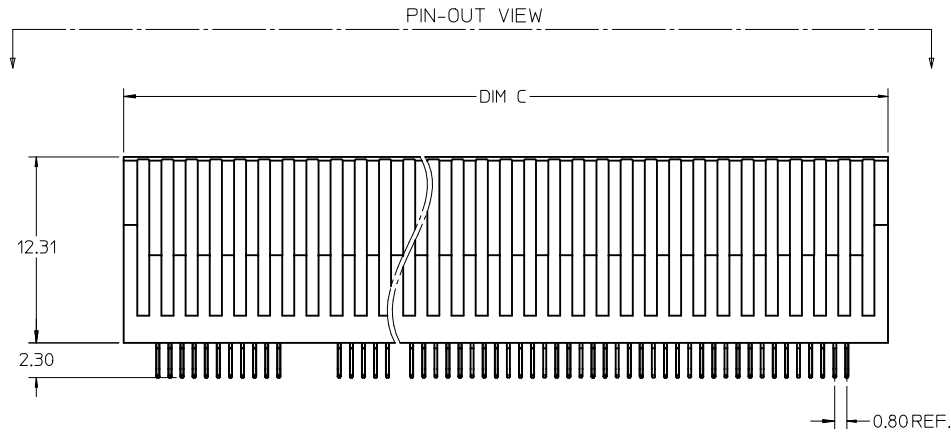


1 BAY HSEC

NOTES:

- MATERIAL:
HOUSING - GLASS FILLED THERMOPLASTIC, 94-V0, BLACK
TERMINALS - COPPER ALLOY
 - FINISH:
CONTACT AREA: HARD GOLD -0.76µm MIN OVER 3.80µ NICKEL
COMPLIANT AREA: TIN - 0.76/1.52µm OVER NICKEL
* SPECIAL FINISH:
CONTACT AREA: HARD GOLD -1.27µm MIN OVER 3.80µ NICKEL
COMPLIANT AREA: TIN - 0.76/1.52µm OVER NICKEL
 - REFER TO PS-75594-999 PRODUCT SPECIFICATION FOR ALL ELECTRICAL, MECHANICAL AND ENVIRONMENTAL SPECIFICATIONS.
 - REFER TO PK-76693-900 FOR ALL PACKAGING SPECIFICATIONS.
 - PROCESSING: PRESSFIT TO PC BOARD.
 - MATING PC BOARD THICKNESS = 2.36±0.16MM OVER CONTACT PADS.
 - PRODUCT IS ELV AND RoHS COMPLIANT. LEVEL OF COMPLIANCE: 6/6
- ALL BANNED SUBSTANCES ARE REMOVED:
Pb (LEAD)
HEXAVALENT CHROMIUM (CrVI)
CADMIUM
MERCURY
POLYBROMINATED BIPHENYL (PBB)
POLYBROMINATED DIPHENYL ETHER (PBDE)
- THIS PART CONFORMS TO CLASS B REQUIREMENTS OF COSMETIC SPEC PS-45499-002

ADDED 76693-2294 P/N EC NO: UCP2010-2476 DRWING: DROSCA 2010/03/26 CHKD: JCOMERC I 07/21/08 APPR: JCOMERC I 2010/03/29	QUALITY SYMBOLS	GENERAL TOLERANCES (UNLESS SPECIFIED)		DIMENSION STYLE MM ONLY		SCALE 4:1	DESIGN UNITS METRIC	THIRD ANGLE PROJECTION	
	▽ = 0	mm	INCH	DRAWN BY DROSCA	DATE 07/21/08	TITLE EDGE LINE 12.5GB 0.093*PCB/0.8MM PITCH EDGE CARD CONNECTOR			
	▽ = 2	4 PLACES ± ---	± ---	CHECKED BY JCOMERC I	DATE 07/21/08				
	▽ = 1	3 PLACES ± ---	± ---	APPROVED BY JCOMERC I		DATE 07/21/08	MOLEX INCORPORATED		MATERIAL NO. SEE TABLE
		2 PLACES ± 0.13	± ---	MATERIAL NO.		SHEET NO.		1 OF 6	
		1 PLACE ± 0.25	± ---	DRAFT WHERE APPLICABLE MUST REMAIN WITHIN DIMENSIONS		THIS DRAWING CONTAINS INFORMATION THAT IS PROPRIETARY TO MOLEX INCORPORATED AND SHOULD NOT BE USED WITHOUT WRITTEN PERMISSION			

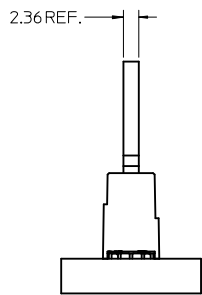
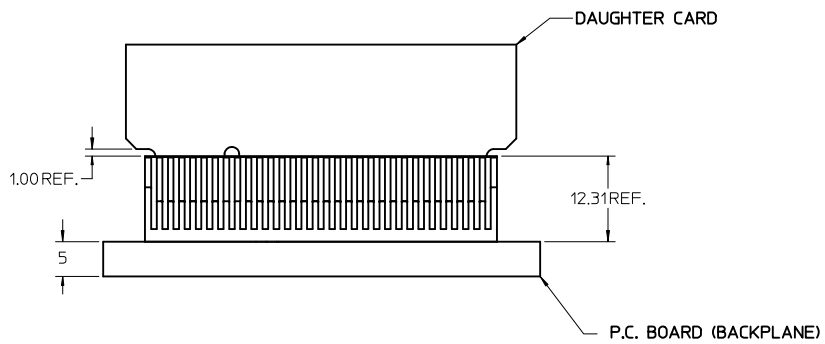
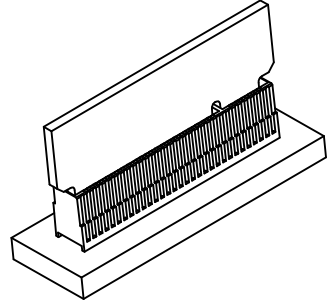
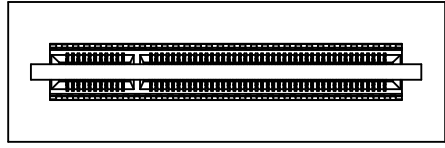


SEE SHEET 1 EC NO: UCP2010-2476 DRWN:DROSCA 2010/03/26 CHKD:JCOMERC1 07/21/08 APPR:JCOMERC1 2010/03/29 A3	QUALITY SYMBOLS ▽=0 ▽=0	GENERAL TOLERANCES (UNLESS SPECIFIED) <table border="1"> <tr> <td></td> <td>mm</td> <td>INCH</td> </tr> <tr> <td>4 PLACES</td> <td>± ---</td> <td>± ---</td> </tr> <tr> <td>3 PLACES</td> <td>± ---</td> <td>± ---</td> </tr> <tr> <td>2 PLACES</td> <td>± 0.13</td> <td>± ---</td> </tr> <tr> <td>1 PLACE</td> <td>± 0.25</td> <td>± ---</td> </tr> </table>		mm	INCH	4 PLACES	± ---	± ---	3 PLACES	± ---	± ---	2 PLACES	± 0.13	± ---	1 PLACE	± 0.25	± ---	DIMENSION STYLE MM ONLY	SCALE 2:1	DESIGN UNITS METRIC	THIRD ANGLE PROJECTION
		mm	INCH																		
	4 PLACES	± ---	± ---																		
	3 PLACES	± ---	± ---																		
2 PLACES	± 0.13	± ---																			
1 PLACE	± 0.25	± ---																			
DRAWN BY DROSCA	DATE 07/21/08	TITLE EDGE LINE 12.5GB 0.093*PCB/0.8MM PITCH EDGE CARD CONNECTOR																			
CHECKED BY JCOMERC1	DATE 07/21/08	MOLEX INCORPORATED																			
APPROVED BY JCOMERC1	DATE 07/21/08	MATERIAL NO. SEE SHEET 1	DOCUMENT NO. SD-76693-100	SHEET NO. 2 OF 6	THIS DRAWING CONTAINS INFORMATION THAT IS PROPRIETARY TO MOLEX INCORPORATED AND SHOULD NOT BE USED WITHOUT WRITTEN PERMISSION																

P.C. BOARD MOUNTING

13 12 11 10 9 8 7 6 5 4 3 2 1

J I H G F E D C B A

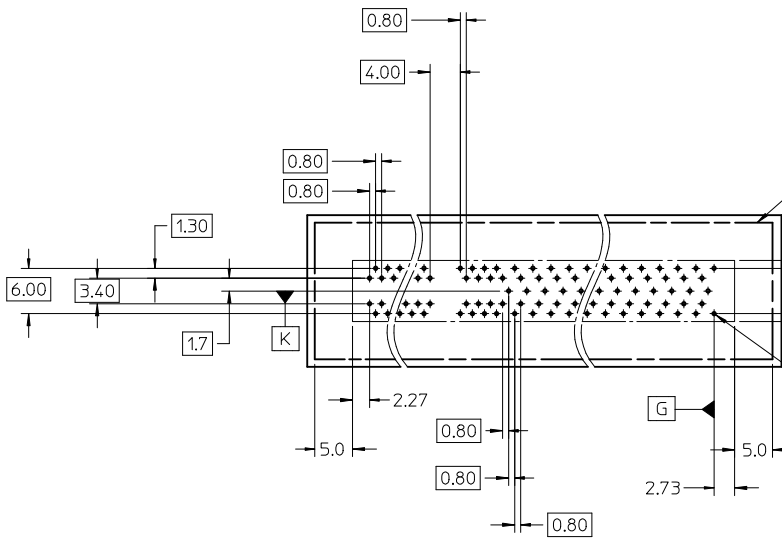


SEE SHEET 1 EC NO: UCP2010-2476 DRW: DROSCA 2010/03/26 CHKD: JCOMERCI 07/21/08 APPR: JCOMERCI 2010/03/29	QUALITY SYMBOLS	GENERAL TOLERANCES (UNLESS SPECIFIED) 4 PLACES ± --- ± --- 3 PLACES ± --- ± --- 2 PLACES ± 0.13 ± --- 1 PLACE ± 0.25 ± --- ANGULAR ± 1/2°	DIMENSION STYLE MM ONLY	SCALE 1:1	DESIGN UNITS METRIC	THIRD ANGLE PROJECTION	
	▼=0 ▽=0		DRAWN BY: DROSCA DATE: 07/21/08 CHECKED BY: JCOMERCI DATE: 07/21/08 APPROVED BY: JCOMERCI DATE: 07/21/08	MATERIAL NO.	TITLE EDGE LINE 12.5GB 0.093"PCB/0.8MM PITCH EDGE CARD CONNECTOR	DOCUMENT NO. SD-76693-100	SHEET NO. 3 OF 6
	DRAFT WHERE APPLICABLE MUST REMAIN WITHIN DIMENSIONS		SEE SHEET 1	THIS DRAWING CONTAINS INFORMATION THAT IS PROPRIETARY TO MOLEX INCORPORATED AND SHOULD NOT BE USED WITHOUT WRITTEN PERMISSION			
	A3		SIZE C				

12 11 10 9 8 7 6 5 4 3 2 1

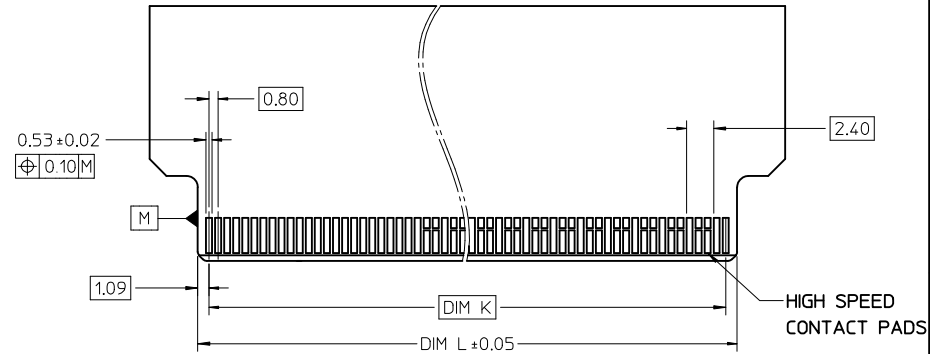
A B C D E F G H I J

PART NUMBER	VERSION	DIM E	DIM F	DIM G	DIM H	DIM K	DIM L
76693-2278	2 BAY	52.00	57.60	53.90	59.50	-----	-----
76693-1200	1 BAY	-----	-----	-----	-----	79.20	81.38
76693-1170	1 BAY	-----	-----	-----	-----	67.20	69.38
76693-2214	2 BAY	7.20	76.80	9.10	78.70	-----	-----
76693-2294	2 BAY	55.20	60.80	57.10	62.70	-----	-----

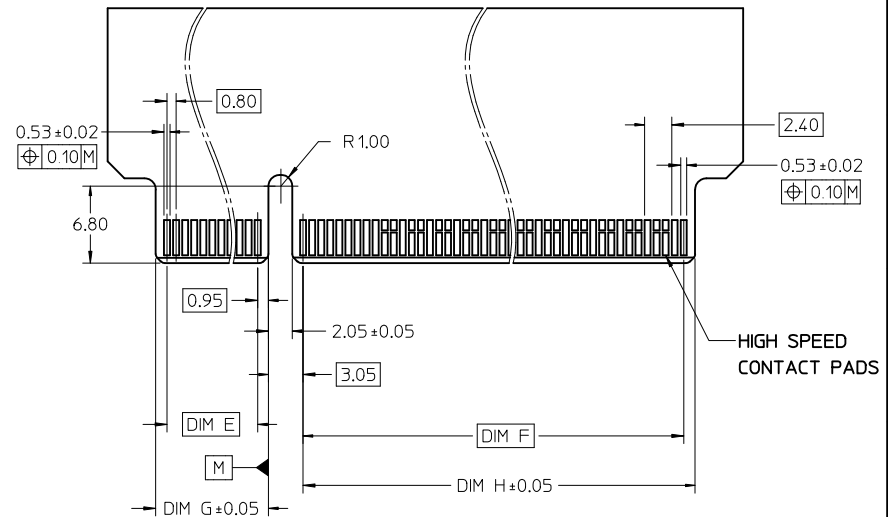


GENERAL PCB LAYOUT
(YOUR CONFIGURATION MAY VARY)

FINISHED PLATED THRU HOLE SIZE
 $\phi 0.57\text{MM}$ REF. DRILLED HOLE SIZE
 0.0254-0.0635 ELECTRO DEPOSITED COPPER



DAUGHTER CARD



DAUGHTER CARD

SEE SHEET 1 EC NO: UCP2010-2476 DRWN: DROSCA 2010/03/26 CHKD: JCOMERC I 07/21/08 APPR: JCOMERC I 2010/03/29	QUALITY SYMBOLS $\blacktriangledown = 0$ $\blacktriangledown = 0$	GENERAL TOLERANCES (UNLESS SPECIFIED)		DIMENSION STYLE MM ONLY		SCALE 1:1	DESIGN UNITS METRIC	THIRD ANGLE PROJECTION		
		4 PLACES	± ---	± ---	DRAWN BY DROSCA	DATE 07/21/08	TITLE EDGE LINE 12.5GB 0.093"PCB/0.8MM PITCH EDGE CARD CONNECTOR			
		3 PLACES	± ---	± ---	CHECKED BY JCOMERC I	DATE 07/21/08				
		2 PLACES	± 0.13	± ---	APPROVED BY JCOMERC I	DATE 07/21/08	MATERIAL NO. SEE SHEET 1		DOCUMENT NO. SD-76693-100	
1 PLACE	± 0.25	± ---	ANGULAR ± 1/2°		DRAFT WHERE APPLICABLE MUST REMAIN WITHIN DIMENSIONS		SHEET NO. 4 OF 6			
THIS DRAWING CONTAINS INFORMATION THAT IS PROPRIETARY TO MOLEX INCORPORATED AND SHOULD NOT BE USED WITHOUT WRITTEN PERMISSION										

