

**PLEASE CHECK WWW.MOLEX.COM FOR LATEST PART INFORMATION**

**Part Number:** [0352820810](#)  
**Status:** **Active**  
**Description:** 2.28mm (.090") Tab Wire-to-Wire Uniconn Housing, Male, 8 Circuits

**Documents:**

[Drawing \(PDF\)](#) [RoHS Certificate of Compliance \(PDF\)](#)  
[Product Specification PS-35282-001 \(PDF\)](#)

**General**

Product Family	Crimp Housings
Series	<a href="#">35282</a>
Product Name	Uniconn

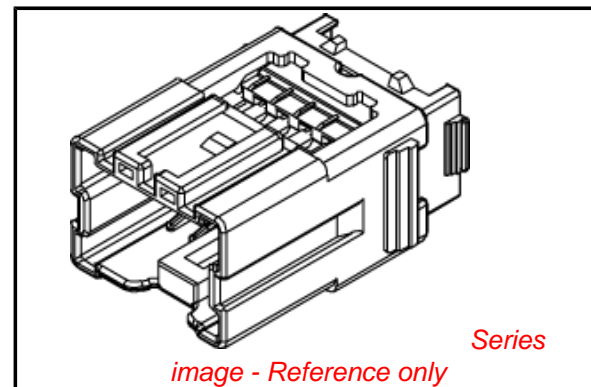
**Physical**

Circuits (maximum)	8
Color - Resin	Black, Natural
Gender	Male
Glow-Wire Compliant	No
Material - Resin	Polyester
Number of Rows	2
Packaging Type	Bag
Panel Mount	No
Pitch - Mating Interface (in)	0.150 In
Pitch - Mating Interface (mm)	3.80 mm
Temperature Range - Operating	-40°C to +80°C

**Material Info**

**Reference - Drawing Numbers**

Product Specification	PS-35282-001
Sales Drawing	SD-35282-0810



**EU RoHS**

**ELV and RoHS  
Compliant**  
**REACH SVHC**  
 Not Reviewed  
**Halogen-Free  
Status**

**China RoHS**



**Need more information on product  
environmental compliance?**

Email [productcompliance@molex.com](mailto:productcompliance@molex.com)  
 For a multiple part number RoHS Certificate of Compliance, [click here](#)

Please visit the [Contact Us](#) section for any non-product compliance questions.

**Search Parts in this Series**

[35282Series](#)

**Mates With**

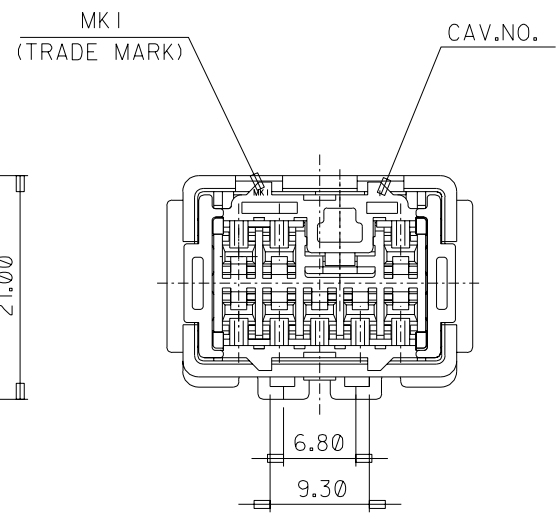
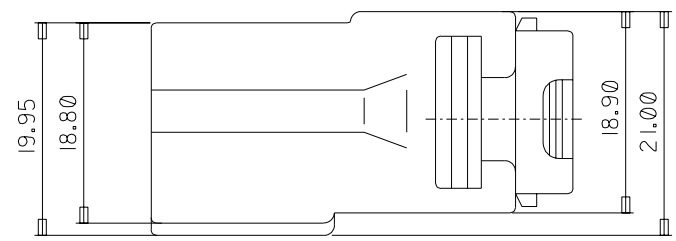
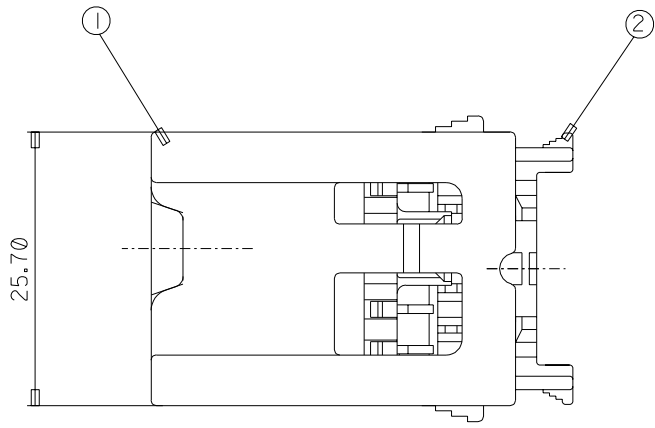
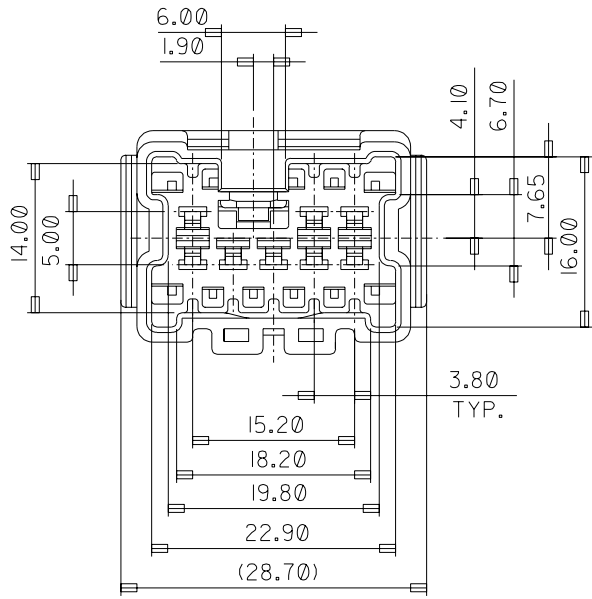
[35284](#)

**Use With**

[35420](#) , [35421](#)

DO NOT SCALE DRAWING  
DIMENSION IN METRIC

PROJECT NO.  
SIMILAR ITEM  
DMG. NO. SD-35282-0810



	PART NO.	PART NAME	MATERIAL
①	35282-0890	UNICONN MALE HOUSING-8P	PBT,NATURAL
②	35283-0881	UNICONN MALE TPA-8P	PBT,BLACK

352820810	35282-0810
MATERIAL NO.	ENG. NO.

REVISED	EC NO. KOR2003-0057
	DRWN: S.M.KIM 03/09/30
	CHK: B.C.YOON 03/09/30
	APPR: G.LEE
REV	DESCRIPTION
B	

QUALITY SYMBOLS
MAJOR
CRITICAL

GENERAL TOLERANCES: (UNLESS SPECIFIED)
4 PLACES ±0.10
3 PLACES ±0.15
2 PLACES ±0.20
1 PLACE ±0.30
ANGULAR: ±1.0°
DRAFT WHERE APPLICABLE MUST REMAIN WITHIN DIMENSIONS

SCALE: 1:1	DESIGN UNITS: mm
DRAWN BY & DATE: W.Y. YANG, 97/11/17	
CHECKED BY & DATE: B.K. CHOI, 97/11/17	
APPROVED BY & DATE: C.W. LEE, 97/11/17	
CAD FILENAME: SD2820810.DGN	MATERIAL NO. SEE TABLE

DIMENSIONS: mm INCH		SHT	REV
THIRD ANGLE PROJECTION		1/1	
TITLE: UNICONN MALE ASSY-8P			
MOLEX INCORPORATED			
CAD FILENAME: SD2820810.DGN	MATERIAL NO. SEE TABLE	DRAWING NO. SD 35282-0810	SHEET NO. 1/1
THIS DRAWING CONTAINS INFORMATION THAT IS PROPRIETARY TO MOLEX INCORPORATED AND SHOULD NOT BE USED WITHOUT WRITTEN PERMISSION.			SIZE C