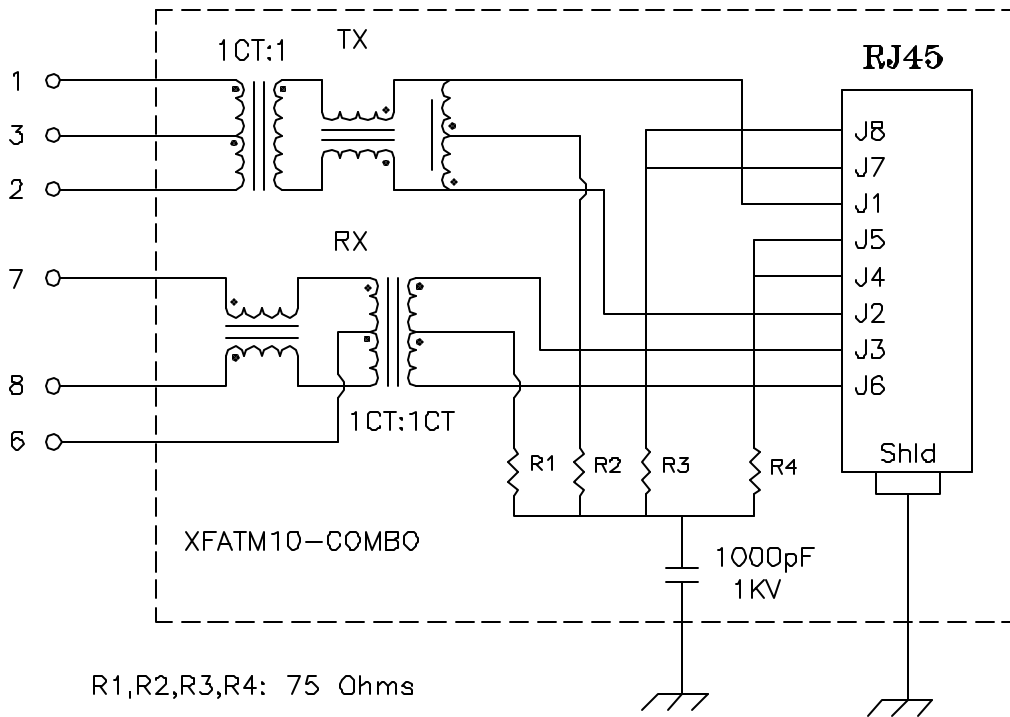


Schematic: (One of Four)



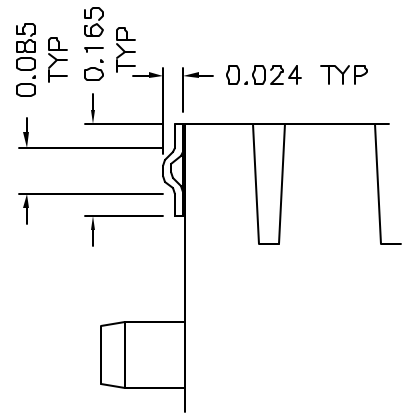
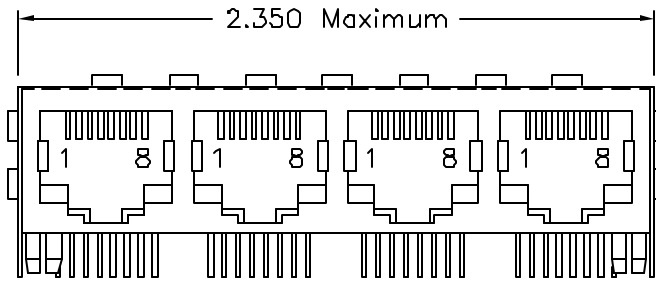
Electrical Specifications: @25°C

- Isolation Voltage: 1500 Vrms
- Isolation Voltage: 500 Vrms 1+2+3 to 6+7+8
- URNS RATIO: TX 1CT:1 ±5% RX 1CT:1CT ±5%
- UTP SIDE OCL: 350uH Minimum @100KHz 100mV 8mADC
- Insertion Loss {300KHz-100MHz}: -1.0dB Typical
- Return Loss: 30MHz -16dB Typical
 - 60MHz -12dB Typical
 - 80MHz -10dB Typical
- CROSSTALK: 32MHz -40dB Minimum
 - 62MHz -35dB Minimum
 - 100MHz -35dB Minimum

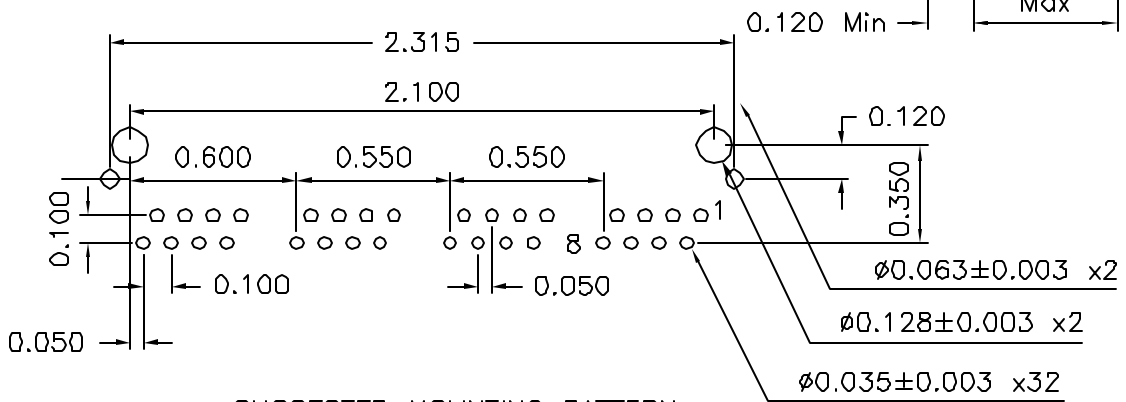
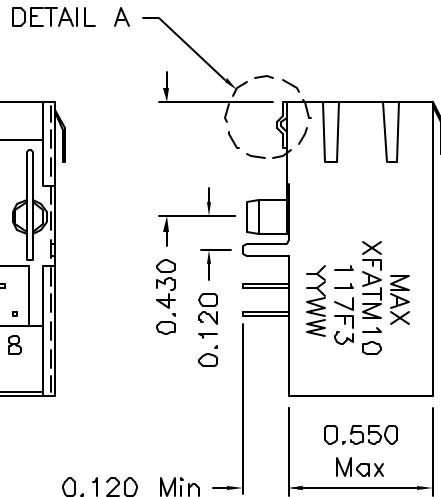
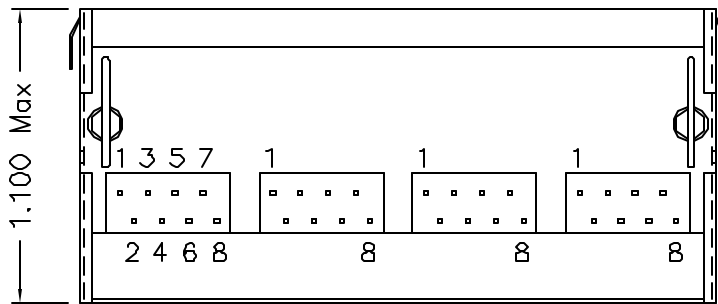
DOC. REV A/5

XFMRs Inc.	Title: QUAD PORT COMBO		
	UNLESS OTHERWISE SPECIFIED	P/N: XFATM10-COMBO4-4M	REV. A
	TOLERANCES: .xxx ±0.010	DWN. 廖玉坤	Dec-09-99
	Dimensions in Inch	CHK. 李清儿	Dec-09-99
SHEET 1 OF 2	APP. Joe Huff	Dec-09-99	

Mechanical Dimensions: (FOR COMB04-4M)



DETAIL A



SUGGESTED MOUNTING PATTERN

DOC. REV: A/5

XFMRs Inc.	Title: Mechanical Dimensions For COMB04-4M Series	
	UNLESS OTHERWISE SPECIFIED TOLERANCES: .xxx ±0.010 Dimensions in Inch	P/N: XFATM10-COMB04-4M REV. A
SHEET 2 OF 2	DWN.	廖玉坤 Dec-09-99
	CHK.	李清儿 Dec-09-99
	APP.	Joe Huff Dec-09-99