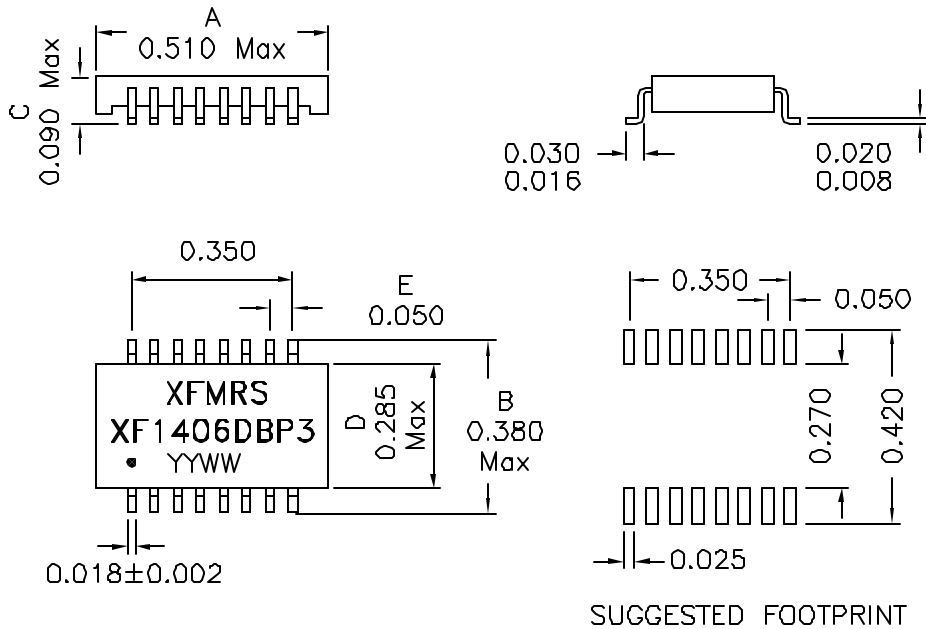
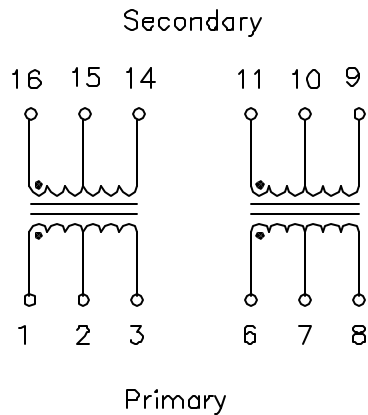


### 1. Mechanical Dimensions:



### 2. Schematic:



### 3. Electrical Specifications: @25°C

Primary OCL: 140uH Typ @100KHz,100mV  
 Turns Ratio: Pins(1-3):(16-14) = 1CT:1CT±3%  
 Turns Ratio: Pins(6-8):(11-9) = 1CT:1.41CT±3%  
 Isolation Voltage: 1500Vrms (Pri to Sec)  
 Cw/w: 15pF Max (Pri to Sec)  
 Primary LL: 0.40uH Max  
 Primary DCR: 0.65 Ohms Max  
 Insulation Resistance: 10000 MOhms

Notes:

1. Solderability: Leads shall meet MIL-STD-202, Method 208D for solderability.
2. Flammability: UL94V-0
3. ASTM oxygen index: > 28%
4. Insulation System: Class F 155°C. UL file E151556
5. Operating Temperature Range: All listed parameters are to be within tolerance from -40°C to +85°C
6. Storage Temperature Range: -55°C to +125°C
7. Aqueous wash compatible
8. SMD Lead Coplanarity: ±0.004"(0.102mm)
9. Moisture Sensitivity: Level 2
10. Electrical and mechanical specifications 100% tested
11. RoHS Compliant Component

<b>XFMRs Inc</b> www.XFMRs.com		Title: 10BASE-T MAGNETICS	
UNLESS OTHERWISE SPECIFIED TOLERANCES: .xxx ±0.010 Inch Dimensions in Inch/mm	P/N: XF1406DBP3	REV. A	
	DWN.	廖玉坤	Nov-03-04
	CHK.	李清儿	Nov-03-04
SCALE 2:1 SHT 1 OF 1	APP.	J Ng	Nov-03-04

DOC. REV. A/1