



10/100 BASE-T TRANSFORMER

P/N:TS6121E DATA SHEET

Feature



- Designed to meet IEEE 802.3u requirement, including 350uH OCL with 8mA bias.
- Designed for reflow soldering at temperature up to 235°C.
- Operating temperature range: 0°C to +70°C.
- Storage temperature range: -25°C to +125°C.

Electrical Specifications @ 25°C

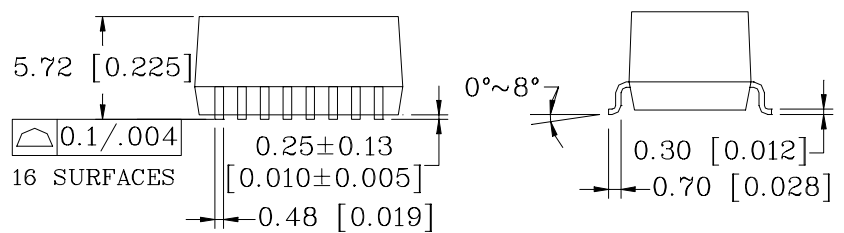
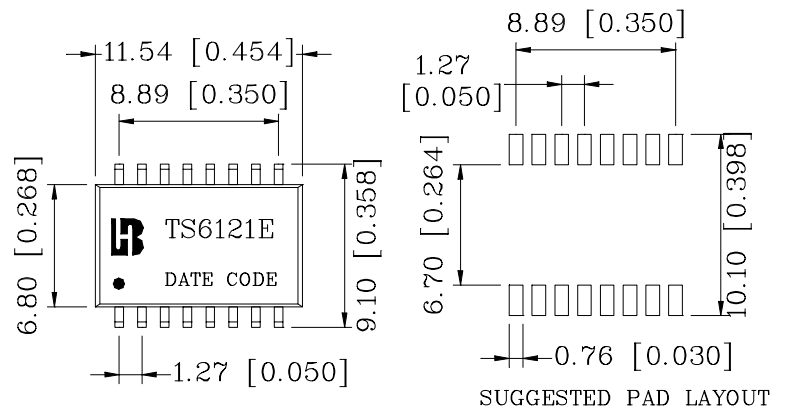
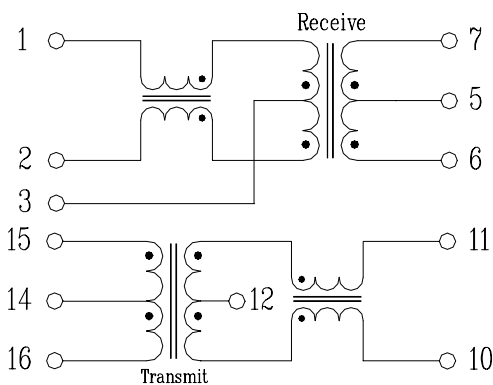
Part Number	Turns Ratio (±5%) TX/RX	OCL (uH Min) @ 100 KHz/0.1V with 8mA DC Bias	L.L (μ H Max)	C _{www} (pF Max)	DCR (Ω Max)		HI-POT (Vrms)
					6-7/15-16	1-2/10-11	
TS6121E	1CT: 1CT	350	0.5	28	0.9	1.1	1500

Continue

Part Number	Insertion Loss (dB Max)	Return Loss (dB Min)				Cross Talk (dB Min)		DCMR (dB Min)		
		0.3 -100 MHz	0.3-30MHz	40MHz	50MHz	60-80MHz	0.3-60MHz	60-100MHz	30MHz	60MHz
TS6121E	-1.15	-18	-15.5	-13.0	-12	-45	-35	-40	-35	-30

Schematic

Mechanical



Units: mm[Inches] Tolerance: xx.x0±0.25[0.010] 0.xx±0.05[0.002]